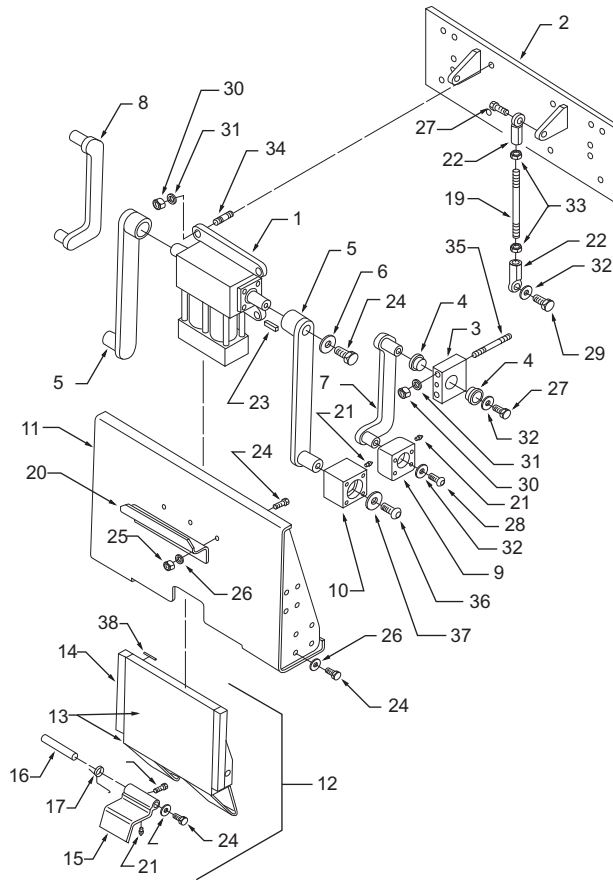


Bayne® Cart Dump (BTL)



Item	Description	OEM P/N	MTM P/N
	Cart Dump Assembly	M-BTL1110	9800.621082
	Cart Dump Assembly	M-BTL1114	9090.126500
	Cart Dump Assembly	M-BTL1112	9800.620730
1	Actuator Assembly	M-1100-1015	9870.621001
2	19" Mainframe	M-4000-1101	9880.621084
	24" Mainframe	M-4000-1105	9880.621102
3	Upper Idler Bearing Assembly	M-2000-1335	9000.127604
4	Upper Idler Bearing	M-2000-1320	9820.621004
5	10" Torque Arm	M-4010-1200	9880.621085
	11" Torque Arm	M-4011-1200	9880.621108
	12" Torque Arm	M-4012-1200	9880.621109
	13" Torque Arm	M-4013-1200	9880.621110
	14" Torque Arm	M-4014-1200	9880.621111
	15" Torque Arm	M-4015-1200	9880.621112
6	Torque Arm Washer	M-7500-0117	9880.621118
7	10" Idler Arm - Rh	M-4010-1300	9880.621087
	11" Idler Arm - Rh	M-4011-1300	9880.621119
	12" Idler Arm - Rh	M-4012-1300	9880.621120
	13" Idler Arm - Rh	M-4013-1300	9880.621121

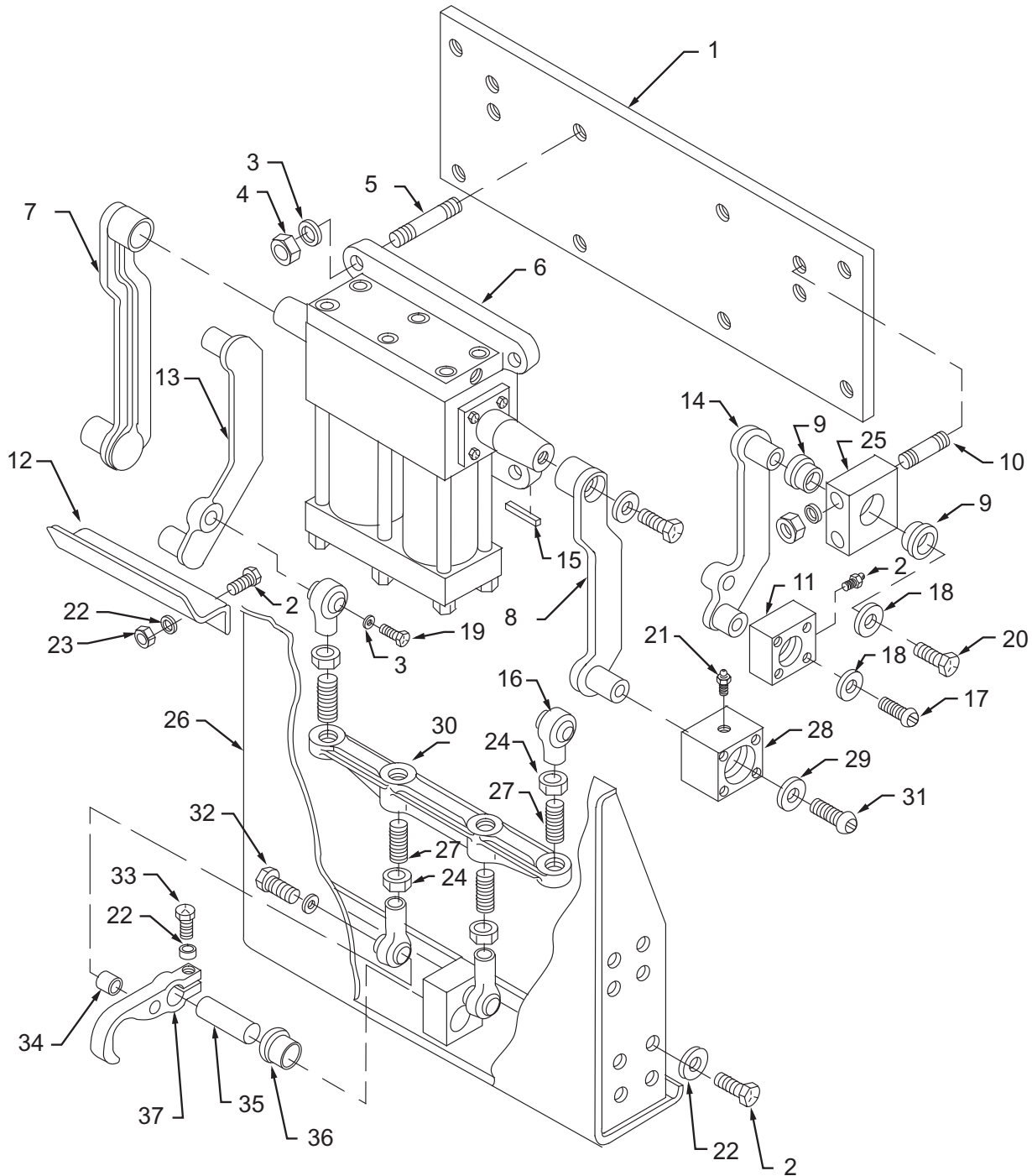
BAYNE®

Bayne® Cart Dump (BTL)

Item	Description	OEM P/N	MTM P/N
	14" Idler Arm - Rh	M-4014-1301	9880.621122
	15" Idler Arm - Rh	M-4015-1300	9880.621123
8	10" Idler Arm - Lh	M-4010-1310	9880.621088
	11" Idler Arm - Lh	M-4011-1310	9880.621124
	12" Idler Arm - Lh	M-4012-1310	9880.621125
	13" Idler Arm - Lh	M-4013-1310	9880.621126
	14" Idler Arm - Lh	M-4014-1311	9880.621127
	15" Idler Arm - Lh	M-4015-1310	9880.621128
9	Lower Idler Bearing Assembly	M-2000-1338	9820.621009
10	Lower Torque Arm Bearing Assembly	M-2000-1230	9820.621010
11	Face Plate Weldment	M-4000-1500	9880.621089
12	Slider Latch Assembly	M-4000-1405	9880.621090
13	Slider Latch Body	M-4000-1411	9880.621129
14	Slider Latch Bearing Cap	M-4000-1416	9880.621130
15	Slider Latch Hook Weldment	M-4300-1431	9880.621131
16	Hook Shaft	M-7640-0007	9880.621132
17	Lower Hook Spring	M-3400-0010	9880.621133
18	5/16-18 X 3/8 Button Head Screw	M-9201-0503	9880.621134
19	8 1/2" Connecting Rod	M-4015-1910	9880.621091
	9 1/2" Connecting Rod	M-4015-1911	9880.621135
	10 1/2" Connecting Rod	M-4015-1912	9880.621136
	11 1/2" Connecting Rod	M-4015-1913	9880.621137
	12 1/2" Connecting Rod	M-4015-1914	9880.621138
	13 1/2" Connecting Rod	M-4015-1915	9880.621139
20	Saddle	M-2000-3900	9880.621016
21	1/4-28 Straight Grease Fitting	M-7002-0400	040.115165
22	Spherical Rod End	M-7202-0800	9850.621020
23	1/4" X 1 1/4" Long Key	M-7300-0410	9810.621021
24	3/8-16 X 1" Hex Head Bolt	M-9001-0608	9810.621028
25	3/8-16 Hex Nut	M-9401-0600	9810.621140
26	3/8" Lock Washer	M-9700-0600	9810.621024
27	1/2-13 X 1" Hex Head Bolt	M-9001-0808	9810.621037
28	1/2-13 X 1" Button Head Screw	M-9201-0808	9810.621039
29	1/2-13 X 1 1/2" Hex Head Bolt	M-9001-0812	9810.621027
30	1/2-20 Hex Nut	M-9402-0800	1147464
31	1/2" Lock Washer	M-9700-0800	9810.621035
32	1/2" Flat Washer	M-9600-0800	9810.621038
33	1/2-20 Half Nut	M-9502-0800	9810.621029
34	1/2-20 X 1 3/4" Threaded Stud	M-9902-0814	9810.621033
35	1/2-20 X 3 3/4" Threaded Stud	M-9902-0830	9810.621036
36	5/8-11 X 1 1/4" Button Head Screw	M-9201-1010	9000.127719
37	5/8" Flat Washer	M-9600-1000	9810.621041
38	1/8" X 1" Split Pin	M-8801-0208	9810.621141

BAYNE®

Bayne® Cart Dump (TL)



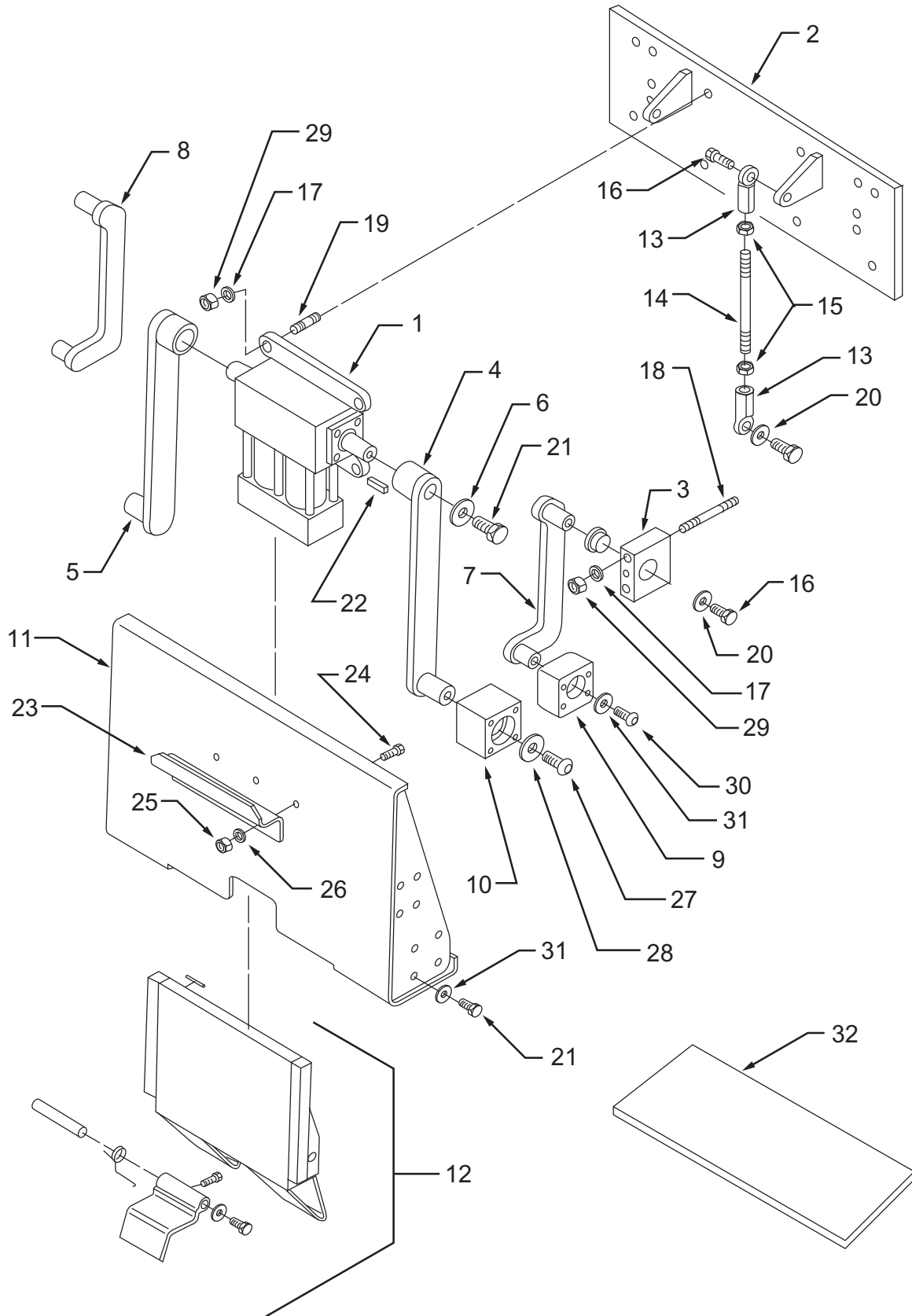
Item	Description	OEM P/N	MTM P/N
	Cart Dump Assembly	M-TL1124	9800.621083
1	19" Mainframe	M-2000-1101	9880.621002
	Mounting Frame Mounting Kit	M-2000-1112	9880.621103
2	3/8-16 X 1" Hex Head Bolt	M-9001-0608	9810.621028
3	1/2" Lock Washer	M-9700-0800	9810.621035

Bayne® Cart Dump (TL)

Item	Description	OEM P/N	MTM P/N
4	1/2-20 Hex Nut	M-9402-0800	1147464
5	1/2-20 X 1 3/4" Threaded Stud	M-9902-0814	9810.621033
6	Actuator Assembly	M-1100-1025	9000.127635
7	16" Torque Arm - Lh	M-1116-1205	9000.127634
	24" Torque Arm - Lh	M-2024-1205	9000.127707
	24" Torque Arm - Lh 3/8" Keyed	M-2024-1235	1141105
8	16" Torque Arm - Rh	M-1116-1201	9000.127636
	24" Torque Arm - Rh	M-2024-1201	9000.127708
	24" Torque Arm - Rh 3/8" Keyed	M-2024-1231	1141104
9	Upper Idler Bearing	M-2000-1320	9820.621004
10	1/2-20 X 3 3/4" Threaded Stud	M-9902-0830	9810.621036
11	Lower Idler Bearing Assembly	M-2000-1338	9820.621009
12	Saddle	M-2000-3900	9880.621016
13	16" Idler Arm - Lh	M-1116-1301	9000.127637
	24" Idler Arm - Lh	M-2024-1305	9000.127712
14	16" Idler Arm - Rh	M-1116-1305	9000.127647
	24" Idler Arm - Rh	M-2024-1301	9000.127713
15	1/4" X 1 1/4" Long Key	M-7300-0410	9810.621021
16	Spherical Rod End	M-7202-0800	9850.621020
17	1/2-13 X 1" Button Head Screw	M-9201-0808	9810.621039
18	1/2" Flat Washer	M-9600-0800	9810.621038
19	1/2-13 X 1 1/2" Hex Head Bolt	M-9001-0812	9810.621027
20	1/2-13 X 1" Hex Head Bolt (8 1/2" Rod)	M-9001-0808	9810.621037
21	1/4-28 Straight Grease Fitting	M-7002-0400	040.115165
22	3/8" Lock Washer	M-9700-0600	9810.621024
23	3/8-16 Hex Nut	M-9401-0600	9810.621140
24	1/2-20 Half Nut	M-9502-0800	9810.621029
25	Upper Idler Bearing Assembly	M-2000-1335	9000.127604
26	Face Plate Weldment	M-2000-1500	9880.621017
27	1/2-20 X 3" Threaded Stud	M-9902-0824	9810.621030
28	Lower Torque Arm Bearing Assembly	M-2603-1230	9820.621010
29	5/8" Flat Washer	M-9600-1000	9810.621041
30	Hook Linkage	M-2000-1450	9850.621011
31	5/8-11 X 1 1/4" Button Head Screw	M-9201-1010	9000.127719
32	1/2-20 X 2" Hex Head Bolt	M-9002-0816	9810.621025
33	3/8-24 X 1" Hex Head Bolt	M-9002-0608	020.120077.1000
34	Hook/Rod End Spacer	M-7500-0006	9820.621015
35	Hook Shaft	M-2000-1470	9880.621014
36	Hook Shaft Bearing	M-2000-1455	9000.127644
37	Hook	M-2000-1400	9850.621012

BAYNE®

Bayne® Cart Dump (CVTL 1110 + 9)



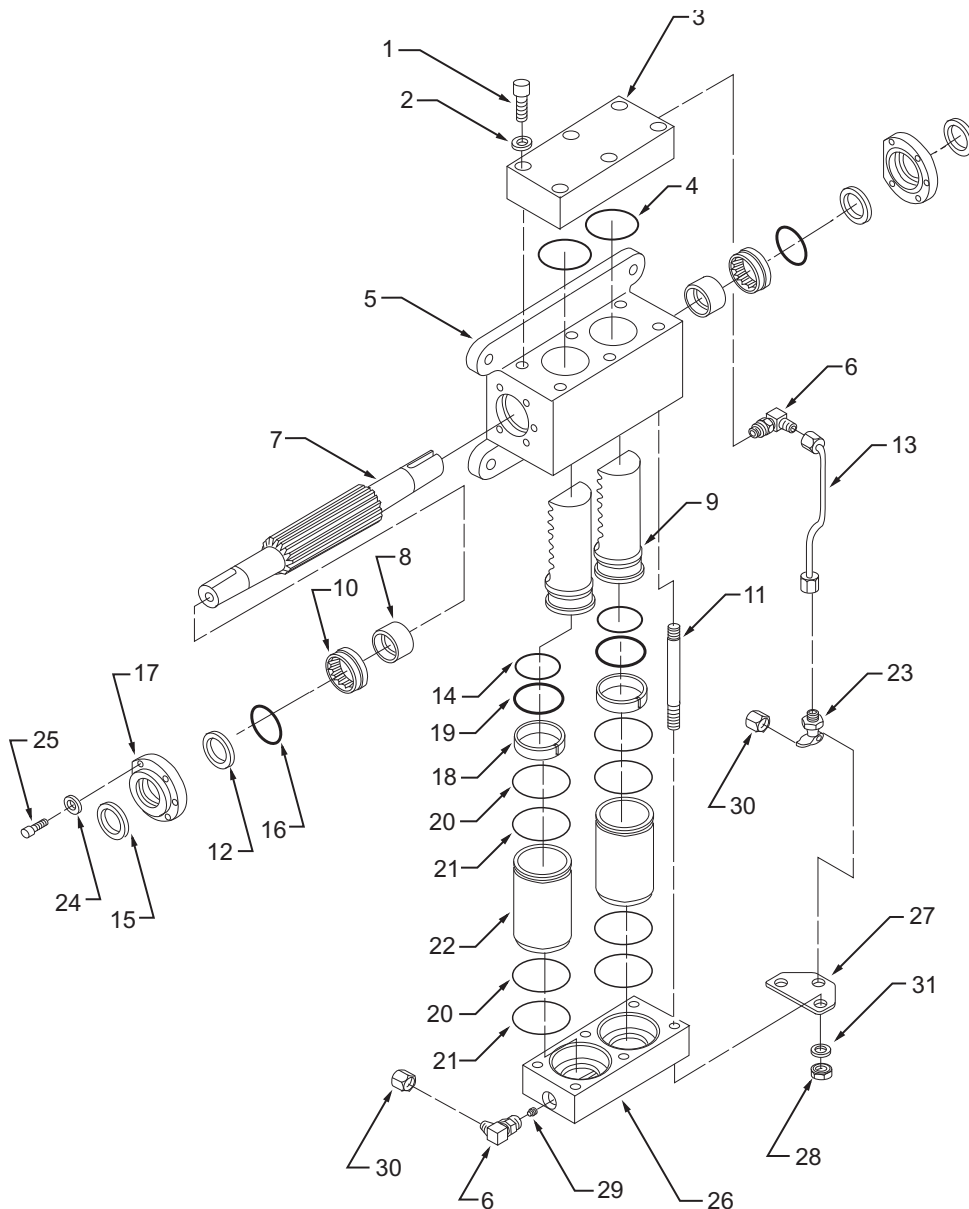
BAYNE®

Bayne® Cart Dump (CVTL 1110 + 9)

Item	Description	OEM P/N	MTM P/N
	Bayne® Cart Dump Assembly	M-CVTL11109	9800.126510
1	Actuator Assembly	M-1120-1042	1106626
2	9" Vertical Assembly	M-8150-1015	1106627
3	Upper Idler Bearing Assembly	M-2000-1335	9000.127604
4	10" Torque Arm - Rh	M-4010-1206	1106628
5	10" Torque Arm - Lh	M-4010-1216	1106629
6	Torque Arm Washer	M-7500-0117	9880.621118
7	10" Idler Arm - Rh	M-4010-1300	9880.621087
8	10" Idler Arm - Lh	M-4010-1310	9880.621088
9	Lower Idler Bearing Assembly	M-2000-1338	9820.621009
10	Lower Torque Arm Bearing Assembly	M-2000-1230	9820.621010
11	CTL Face Plate Weldment	M-4300-1502	1106631
12	Slider Latch Assembly	M-4300-1400	
13	Spherical Rod End	M-7202-0800	9850.621020
14	8" Connecting Rod	M-2500-1908	1101528
	8 1/2" Connecting Rod	M-4015-1910	9880.621091
15	1/2-20 Half Nut	M-9502-0800	9810.621029
16	1/2-13 X 1" Hex Head Bolt (8 1/2" Rod)	M-9001-0808	9810.621037
	1/2-13 X 1 1/2" Hex Head Bolt (8" Rod)	M-9021-0812	9810.621027
17	1/2" Lock Washer	M-9700-0800	9810.621035
18	1/2-20 X 3 3/4" Threaded Stud	M-9902-0830	9810.621036
19	1/2-20 X 1 3/4" Threaded Stud	M-9902-0814	9810.621033
20	Arm Washer	M-7500-0171	1143510
21	3/8-16 X 1" Hex Head Bolt	M-9001-0608	9810.621028
22	1/4" X 1 1/4" Long Key	M-7300-0410	9810.621021
23	Latch Assembly	M-4300-1300	
24	3/8-16 X 1 1/2" Hex Head Bolt	M-9001-0612	020.120052.1500
25	3/8-16 Hex Nut	M-9401-0600	9810.621140
26	3/8" Lock Washer	M-9700-0600	9810.621024
27	5/8-11 X 1 1/4" Button Head Screw	M-9201-1010	9000.127719
28	5/8" Flat Washer	M-9600-1000	9810.621041
29	1/2-20 Hex Nut	M-9402-0800	9810.621034
30	1/2-13 X 1" Button Head Screw	M-9201-0808	9810.621039
31	1/2" Flat Washer	M-9600-0800	9810.621038
32	Pad - Bayne® Bumper 1/2" X 6 X 23 Rhinohyde		9800.620086

BAYNE®

Bayne® Cart Dump Actuator (5 Bolt Cap Shown)



Item	Description	OEM P/N	MTM P/N
	Actuator Assembly - 5 Bolt Cap (Shown)	M-1120-1015	9870.621001
1	1/2" 20 X 1-1/2" Socket Head Bolt - Both	M-9102-0812	9810.621042
2	1/2" High Collar Lock Washer - Both	M-9800-0800	9810.621026
3	Rack Cap - Both	M-1000-1080	9810.621044
4	Rack Cap Seal - Both	M-8001-0145	9840.621046
5	Actuator Body - 5 Bolt Cap	M-2200-0010	9000.127605
	Actuator Body - 4 Bolt Cap	M-1000-1010	9870.621047
6	90 Degree Adapter - Both	M-6221-0606	9000.127606
7	Actuator 1/4" Key Pinion - Both	M-1000-1025	9820.621051
8	Inner 1 3/8" Id X 1 5/8" Od Ring 5 Bolt Cap	M-2603-1227	1141108

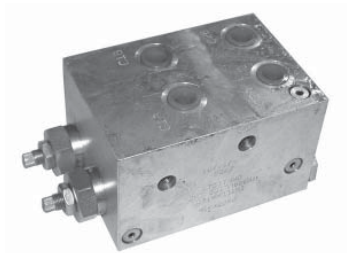
BAYNE®

Bayne® Cart Dump Actuator (5 Bolt Cap Shown)

Item	Description	OEM P/N	MTM P/N
9	Actuator Rack - Both	M-1000-1031	9870.621054
10	Needle Roller 1 5/8" Id Bearing - 5 Bolt Cap	M-2603-1126	9000.127610
	Actuator Bearing - 4 Bolt Cap	M-1000-1041	1141100
	Actuator Bearing Seal - 4 Bolt Cap	M-8001-0032	1226966
	Actuator Bearing Seal Backup - 4 Bolt Cap	M-8002-0032	
11	Tie Rod - Both	M-1000-1090	9000.127611
12	Pinion Seal - 5 Bolt Cap	M-8008-0120	1180487
	Pinion Seal - 4 Bolt Cap	M-8007-0122	9840.621058
	Pinion Seal Backup - 4 Bolt Cap	M-1000-1055	9820.621061
13	Rack Cap Extension Tube - Both	M-1100-1550	9000.127614
14	Piston Seal Load Ring - Both	M-8001-0137	9820.621060
15	Pinion Wiper - 5 Bolt Cap	M-8006-0120	1255200
	Pinion Wiper - 4 Bolt Cap	M-8006-0122	9840.621062
16	Bearing Cap Seal - 5 Bolt Cap	M-8001-0922	9000.127617
17	Bearing Cap 5 Bolt Cap	M-2200-0082	1255199
	Bearing Cap - 4 Bolt Cap	M-1000-1052	1180482
18	Wear Ring - 5 Bolt Cap	M-8005-0240	9000.127619
	Wear Ring - 4 Bolt Cap	M-8005-0140	
19	Piston Seal - Both	M-8004-0140	9840.621064
20	Tube Seal - Both	M-8001-0039	9840.621066
21	Tube Seal Backup - Both	M-8002-0039	9820.621067
22	Actuator Tube - Both	M-1000-1060	9830.621068
23	45 Degree Bulkhead Union - Both	M-6229-0606	9000.127624
24	5/16" High Collar - 5 Bolt Cap	M-9800-0500	9000.127625
	1/2" Lock Washer	M-9700-0800	9810.621035
25	5/16" 18 Unc X 1-1/4" Socket Head Bolt - 5 Bolt Cap	M-9101-0510	9000.127626
	1/2"-20 X 1 1/4" Hex Head Cap Screw - 4 Bolt Cap	M-9002-0810	020.14709
26	Tube Cap - Both	M-1000-1070	9810.621072
27	Tube Mounting Bracket - Both	M-7500-0004	9880.621073
28	1/2"- 20 Unf Hex Nut - Both	M-9402-0800	1147464
29	Orifice Plug - 5 Bolt Cap	M-6066-0059	
	Orifice Plug - 4 Bolt Cap	M-6066-0085	
30	Cap Nut - 5 Bolt Cap	M-6248-0006	9000.127631
31	1/2" Lock Washer	M-9700-0800	9810.621035
32	Kit - Upgrade Seal 15,700 + Below (5 Bolt)	M-8000-1111	9000.127715
33	Kit - Complete Seal 15,700 + Above (5 Bolt)	M-8000-0311	1227173
34	Kit - Pinion Seal 15,700 + Above (5 Bolt)	M-8000-0302	1226964
35	Kit - Complete Seal (4 Bolt)	M-8000-0111	9000.127648
36	Kit - Pinion Seal (4 Bolt)	M-8000-0102	9000.127649

BAYNE®

Bayne® Miscellaneous Parts



Dual Sequence Valve no Orifice

M-6071-1208

1138698

Dual Sequence Valve .063 Orifice

M-6071-1218

1226956

Bayne® Springs



Bayne® Lower Hook Spring

M-3400-0010

9880.621133

Bayne® P/N

M-3012-1192

M-3012-3072

M-3020-1000

M-3112-3072

MTM P/N

1226948

1138709

1226949

1226950

Description

24" Cylinder

Lift Cylinder

6" X 2 1/2" Cylinder

9" Cylinder w/ Dual Check

BAYNE®

1-877-722-5686 Direct Line

www.streetsmartparts.com

BAYNE®