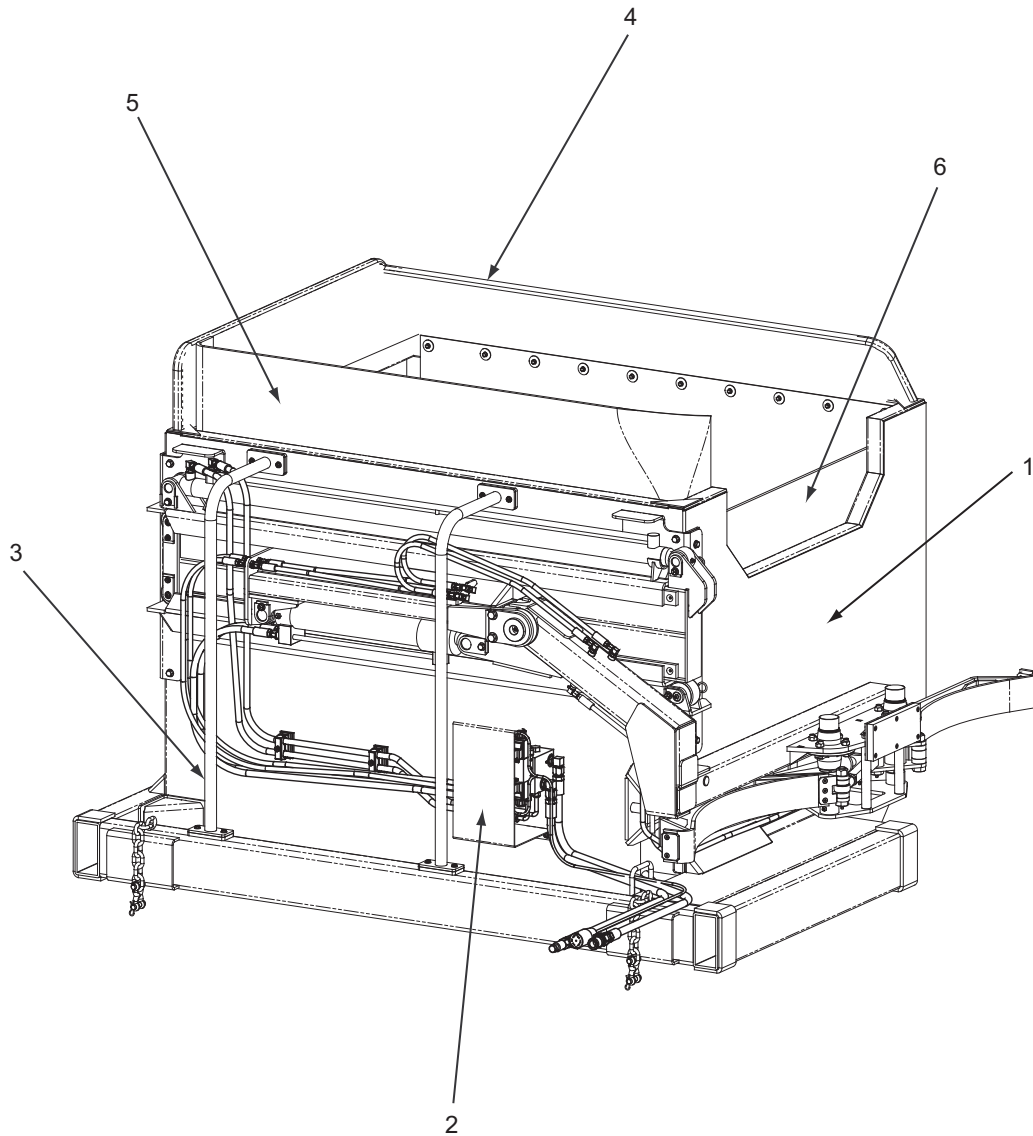


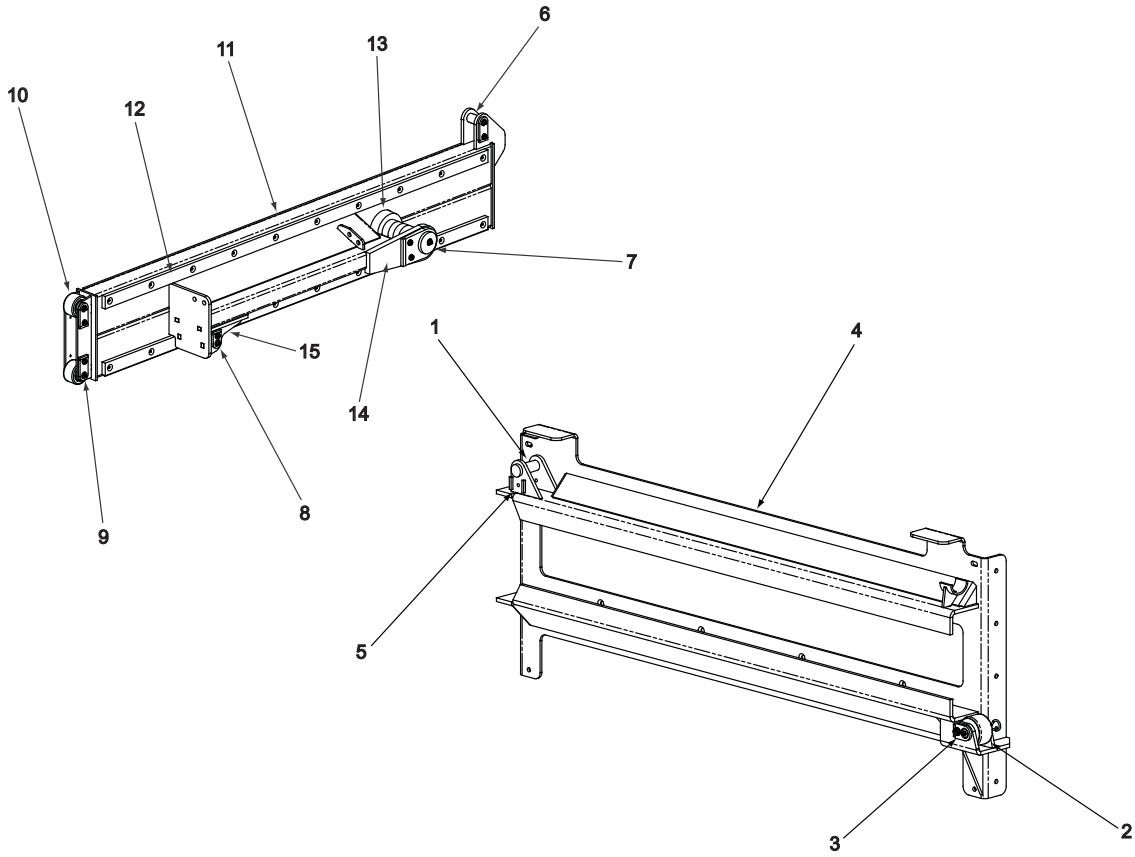
Curotto® Cans / Spill Guards



Item	Description	OEM P/N	MTM P/N
1	Bare Can (SN 5200 & Above)	M-AC02-A03	1238738
	Bare Can (SN 5199 & Below)	M-AC02-A02	
	Primered Can (Ready to Run) (SN 5200 & Above)	M-AC0102	1180882
	Primered Can (Ready to Run) (SN 5199 & Below)	M-AC0101	1145761
2	Main Valve Cover (All)	M-AC1-0017	1238739
3	Protective Bars (SN 5200 & Above)	M-PB-0001	1238740
4	Complete Windscreen (SN 5200 & Above)	M-AC02-A09	1238741
	Complete Windscreen (SN 5199 & Below)	M-AC02-A07	1237768
5	Top Rear Rubber Spill Guard (SN 5200 & Above)	M-AC1-0010	1238742
	Top Rear Rubber Spill Guard (SN 5199 & Below)	M-AC1-0008	1237769
6	Curbside Rubber Fall Away Flap (SN 5200 & Above)	M-AC1-0015	1238743
7	Forward Bottom Rubber Spill Guard (Not Shown)	M-AC1-0009	1237770

CUROTTO®

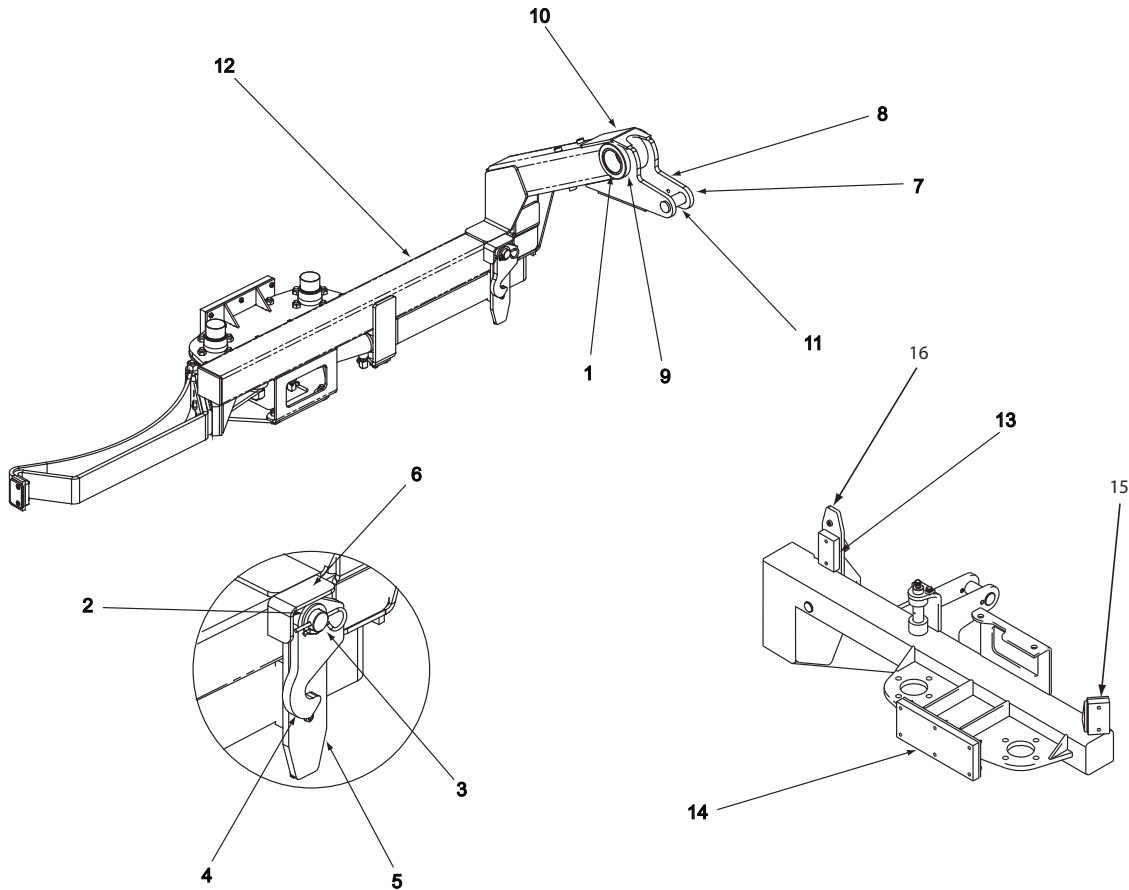
Curotto® Slide Assembly



CUROTTO®

Item	Description	OEM P/N	MTM P/N
1	Slide Cylinder Base End Pin (All)	M-AC02-S11	1237765
2	3" Cam Follower (All)	M-400-5-1148	1234124
3	Cam Follower Pin (All)	M-AC02-S16	1237766
4	Carriage Assembly (Complete) (SN 5200 & After)	M-AC02-A012	1238744
	Carriage Assembly (Complete) (SN 5199 & Below)	M-AC02-A04	1237767
5	Slide Cylinder Mounting Bracket (All)	M-AC02-086	1238745
6	Slide Cylinder Rod End Pin (All)	M-AC02-S12	1237771
7	Arm Pivot Pin (All)	M-AC02-S18	1237772
8	Lift Cylinder Base End Pin (All)	M-AC02-S13	1237773
9	Cam Follower Pin (All)	M-AC02-S17	1235697
10	2 1/2" Cam Follower (All)	M-B17-0005	1235696
11	Slide Assembly - Complete (SN 5200 & Above)	M-AC02-A06	1238758
	Slide Assembly - Complete (SN 5199 & Below)	M-AC02-A05	1238759
	Slide - Bare (SN 5200 & Above)	M-AC02-S20	1238760
	Slide - Bare (SN 5199 & Below)	M-AC02-S15	1238761
12	Wear Strips (All)	M-AC02-058	1235687
13	Arm Pivot Collar (All)	M-AC02-090	1238762
14	Rotate Arm Mount Plate (All)	M-AC02-067	1238763
15	Cylinder Mount Bracket (All)	M-AC02-052	1238764

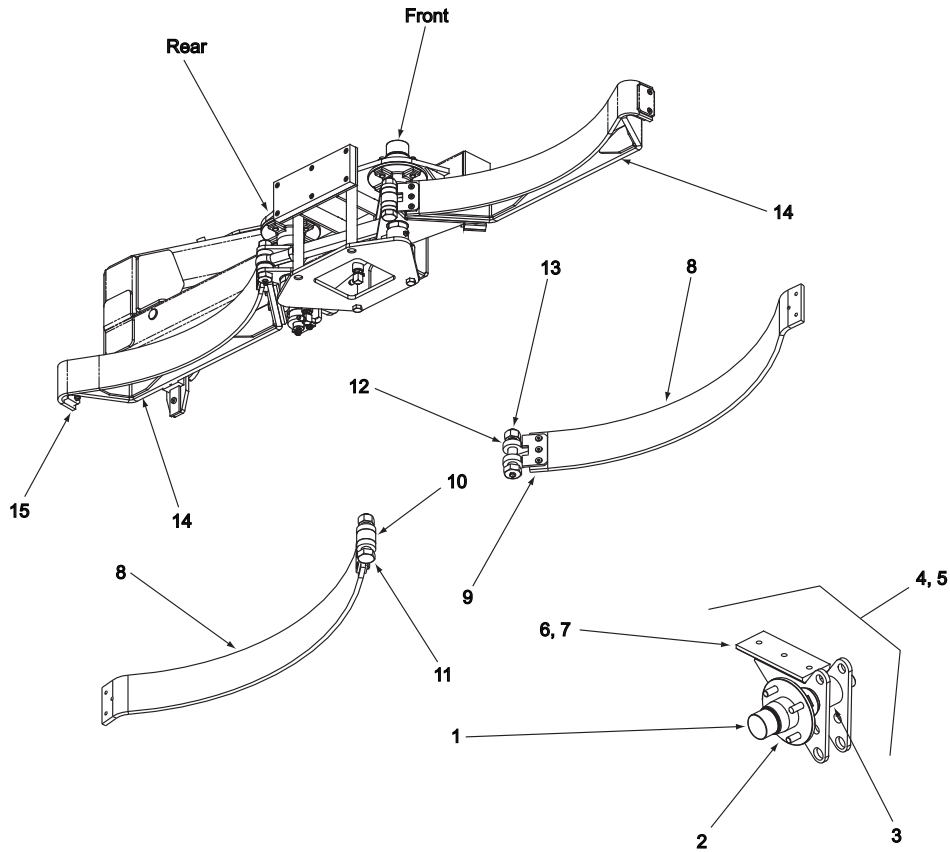
Curotto® Lift Cylinder Pin / Gravity Hook Assembly



Item	Description	OEM P/N	MTM P/N
	Complete Arm (Ready to Run) (SN 5200 & Above)	M-AC4-A005	1238765
	Complete Arm (Ready to Run) (SN 5199 & Below)	M-AC4-A004	1238766
1	Bearing (All)	M-B17-0006	1238767
2	Lock Hook Spacer (All)	M-AC02-130	1238768
3	Lock Hook Pivot Pin (All)	M-AC02-129	1238769
4	Lock Hook (All)	M-AC02-128	1238770
5	Gravity Hook Bracket (All)	M-AC02-152	1238771
6	Hook Lock Stop (All)	M-AC02-135	
7	Keeper Pin (All)	M-AC02-055	1238772
8	Lift Cylinder Rod End Mount Bracket (All)	M-AC02-049	1238773
9	Pivot Arm Collar (All)	M-AC02-041	1238774
10	Arm Pivot Reinforcement Plate (All)	M-AC1-0012	1238775
11	Lift Cylinder Rod End Pin (All)	M-AC4-A002	1238776
12	Offset Arm Assembly (SN 5200 & Above)	M-AC02-S08	1238777
	Offset Arm Assembly (SN 5199 & Below)	M-AC02-S07	1238778
13	Small Bumper (All)	M-AC02-036	1238779
14	Large Bumper (All)	M-AC02-034	1238780
15	Rubber Stop Base	M-AC02-121	1255086
16	Rubber Pad Mounting Plate	M-AC02-037	1255085

Curotto®

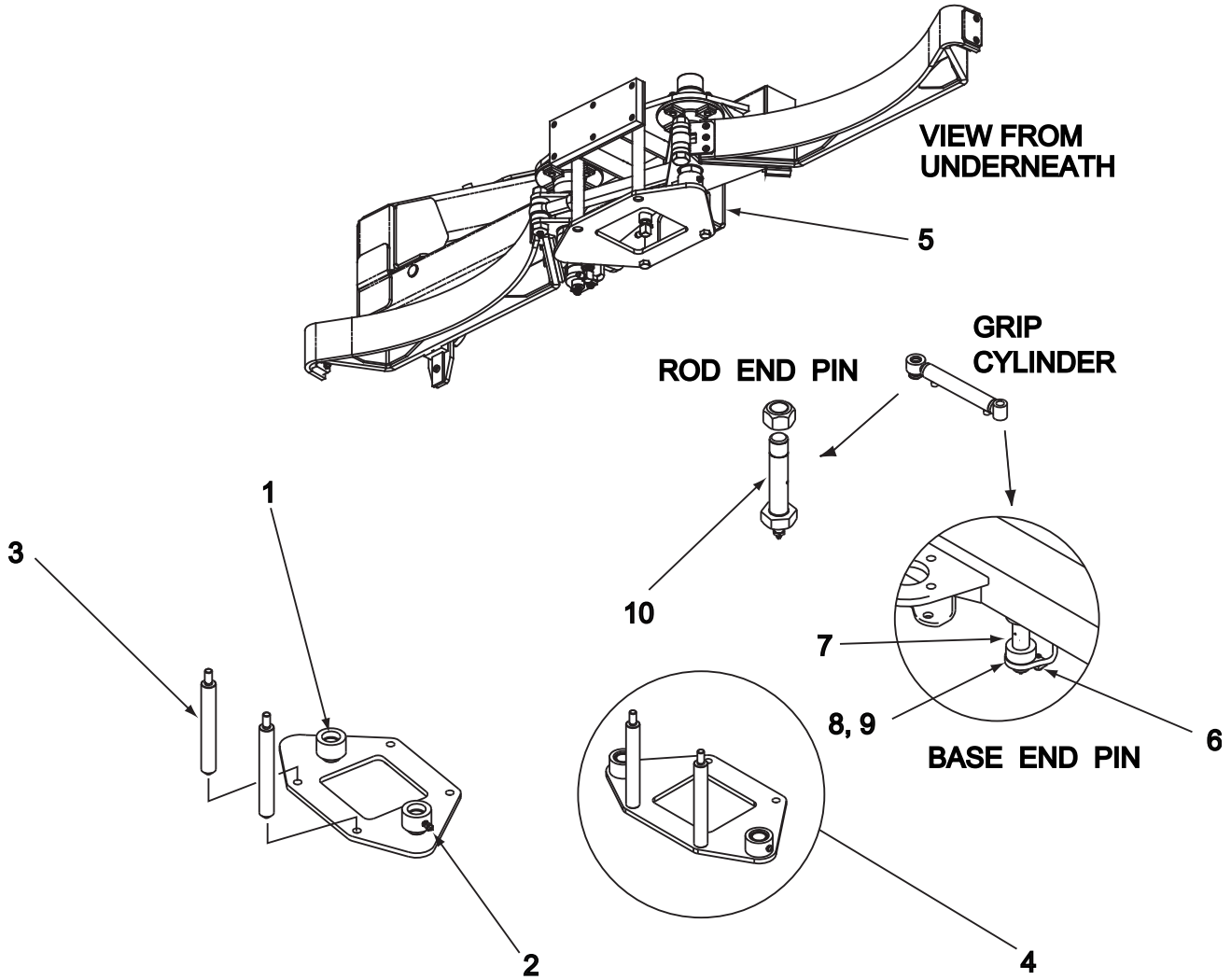
Curotto® Hub and Spindles / Grip Belts



CUROTTO®

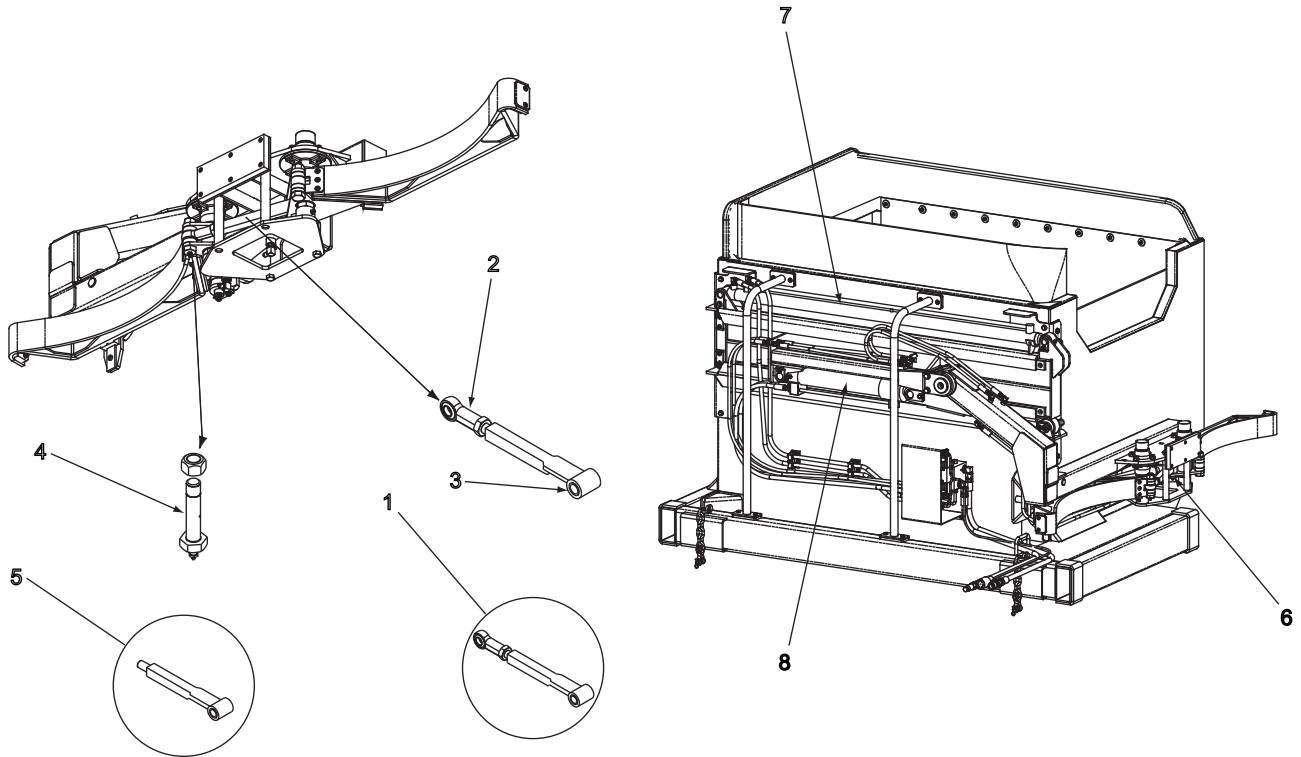
Item	Description	OEM P/N	MTM P/N
1	Buddy Bearing (All)	M-S16-0572	1238781
2	Hub and Spindle (All)	M-AC02-021	1238782
3	Spindle Bearing (No Longer Available)	M-S16-0103	1238783
4	Front Bracket and Hub Assembly (SN 5200 & Above)	M-AC02-S31	1238784
	Front Bracket and Hub Assembly (SN 5199 & Below)	M-AC02-S01	1235688
5	Rear Bracket and Hub Assembly (SN 5200 & Above)	M-AC02-S32	1238785
	Rear Bracket and Hub Assembly (SN 5199 & Below)	M-AC02-S02	1235689
6	Large Hub Bracket Only (All)	M-AC02-S33	1238786
7	Small Hub Bracket Only (All)	M-AC02-S34	1238787
8	Dual Belt System Belt	M-AC02-008	1234329
9	Belt Backing Tab	M-AC02-019	1238788
10	Spacer	M-AC02-022	1255084
11	Rear Belt Pin	M-AC02-144	1237775
12	Belt Buckle Assembly	M-AC02-S04	1238789
13	Front Belt Link Bar Pin	M-AC02-S23	1238798
14	Arm Grip Belt Assembly	M-AC4-A001	1235690
15	Belt Retainer Plate	M-AC02-140	1238790
	Hub / Spindle Cone		1262767
	Hub / Spindle Cup		1262766
	Hub / Spindle Seal		1262768

Curotto® Dogbone Assembly / Grip Cylinder Pins



Item	Description	OEM P/N	MTM P/N
1	Tension Bushing (All)	M-B17-0007	1238791
2	1/8" Grease Fitting (All)	M-400-9-0610	020.82208
3	Dogbone Spacer (All)	M-AC02-114	1238792
4	Dogbone Assembly (Complete) (All)	M-AC02-S21	1238794
5	Dogbone Mount Bracket (All)	M-AC02-113	1238795
6	Grip Cylinder Base End Pin Retainer (All)	M-AC02-028	1238796
7	Grip Cylinder Base End Pin (All)	M-AC02-S10	1238797
8	Bottom Spacer - Small (All)	M-AC02-030	1238799
9	Top Spacer - Large (All)	M-AC02-031	1238800
10	Grip Cylinder Rod End Pin (All)	M-AC02-S09	1238801

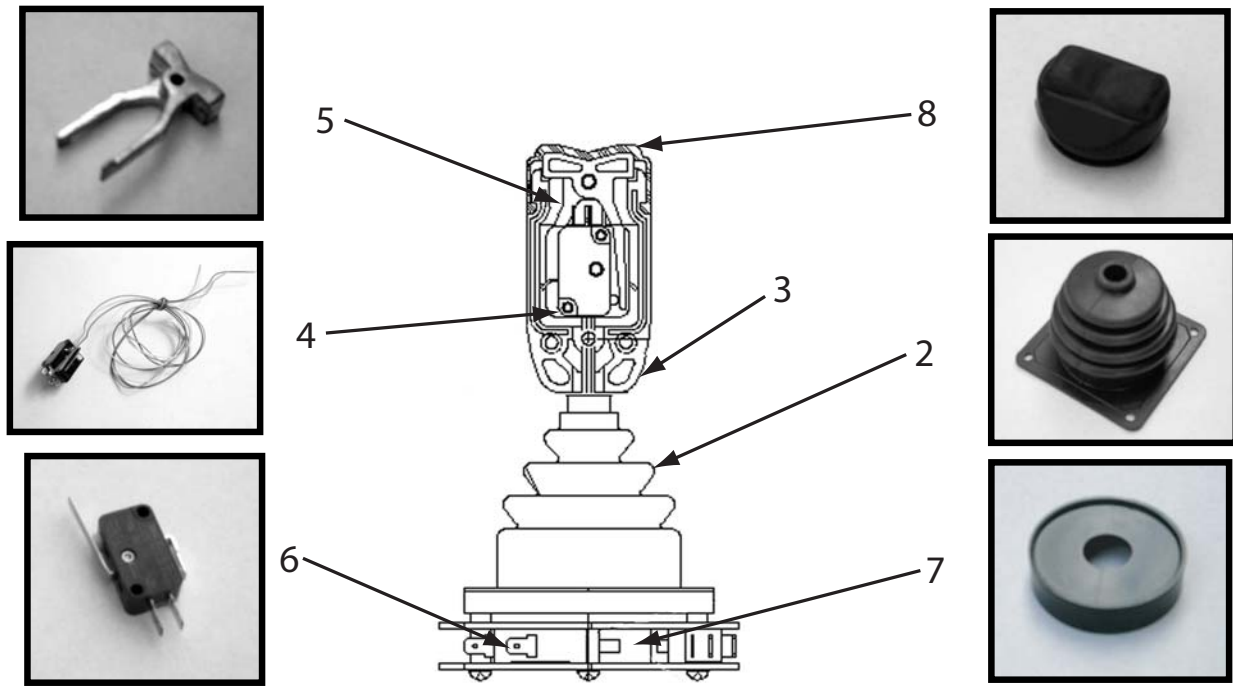
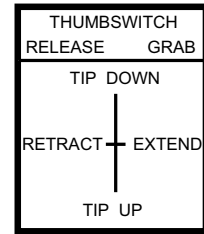
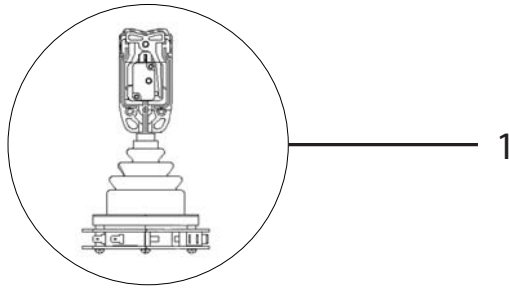
Curotto® Link Bar Assembly / Cylinders



Item	Description	OEM P/N	MTM P/N
1	Link Bar Assembly Old Style(NLA)	M-AC02-S22	1235691
	Link Bar Assembly New Style	M-AC02-DB22	1364673
2	Link Bar Joint Old Style Female End	M-B17-0011	1229361
	Link Bar Joint New Style Male End	M-B17MRE	1366878
3	Link Bar Bushing (All)	M-B17-0004	1238803
4	Rear Spindle Link Bar Pin (All)	M-AC4-A003	1238804
5	Link Bar (Bare) Old Style(NLA)	M-SV4-A016	1234328
	Link Bar (Bare) New Style	M-DBF01	1366875
*If installing new style link bar on old style dogbone assembly: You must shave about an 1/8" off the inside of the dogbone spacer where it would make contact with the link bar. The new revision of the dogbone will have the proper clearance.			
6	Grip Cylinder (All)	M-CCP-S19	1180864
		M-ACC-S09	
	Grip Cylinder Base End Pin (All)	M-AC02-S10	1238797
	Grip Cylinder Rod End Pin (All)	M-AC02-S09	1238801
7	Slide Cylinder (All)	M-CCP-S20	1180865
		M-ACC-S10	
	Slide Cylinder Base End Pin (All)	M-AC02-S11	1237765
	Slide Cylinder Rod End Pin (All)	M-AC02-S12	1237771
8	Lift Cylinder	M-CCP-S22	1362112
	Lift Cylinder (SN 5200 & Above)	M-ACC-S12	1180867
	Lift Cylinder (SN 5199 & Below)	M-ACC-S11	1180866
	Lift Cylinder Base End Pin (All)	M-AC02-S13	1237773
	Lift Cylinder Rod End Pin (All)	M-AC4-A002	1238776

CUROTTO®

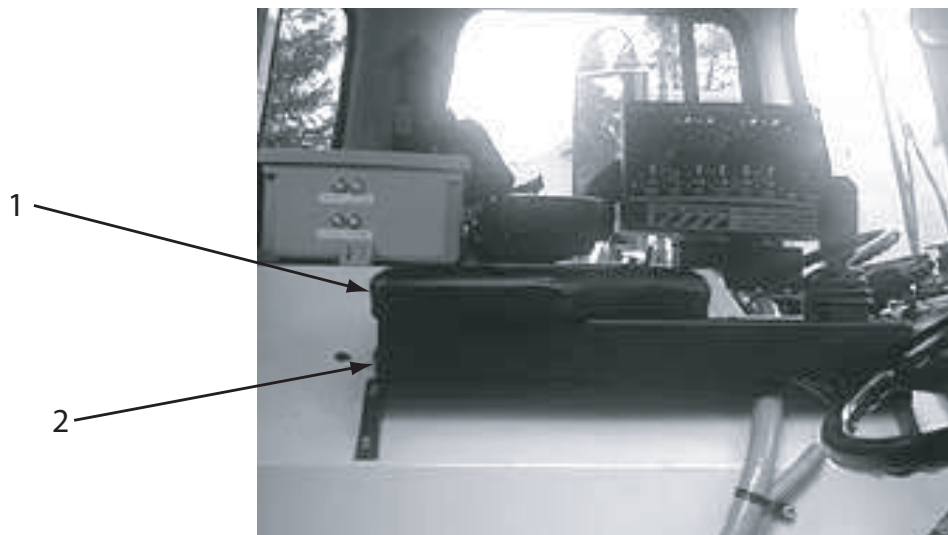
Curotto® Joystick



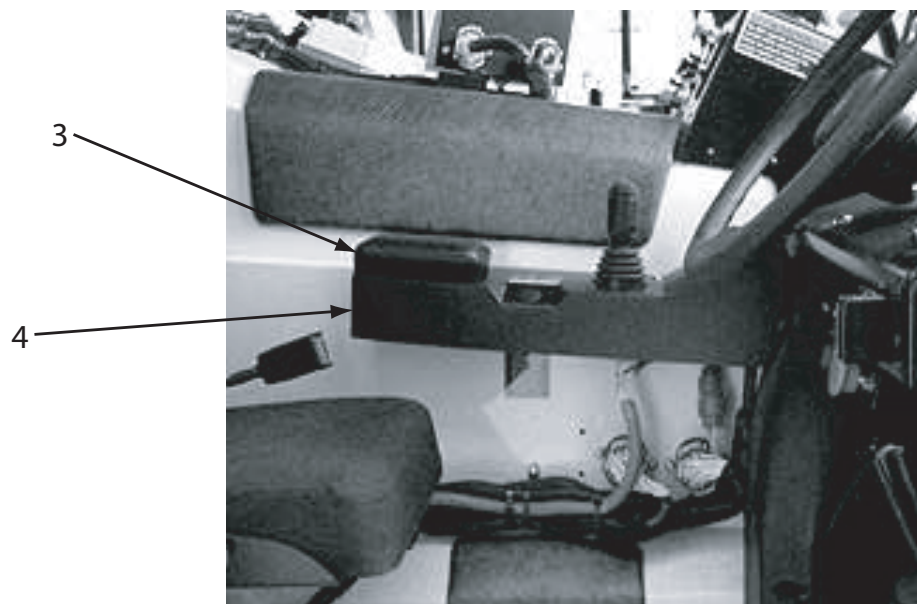
Item	Description	OEM P/N	MTM P/N
1	Joystick	M-AC8-0007	1235694
2	Joystick Boot	M-S16-0599	1238702
3	Joystick Grip Assembly	M-S16-0597	1238703
4	Joystick Grip Switches (2 Per Assembly)	M-S16-0594	1238013
5	Joystick Fork	M-S16-0417	1238012
6	Joystick Switches	M-S16-0590	1234330
7	Joystick Disc Acuator	M-S16-0589	1235510
8	Joystick Rocker Switch Boot	M-S16-0406	1238011
	Rocker Switch (Not Shown)	M-D057004	
	Switch Bracket (Not Shown)	M-FL21-098	

CUROTTO®

Curotto® Armrest Pads



Volvo Installation

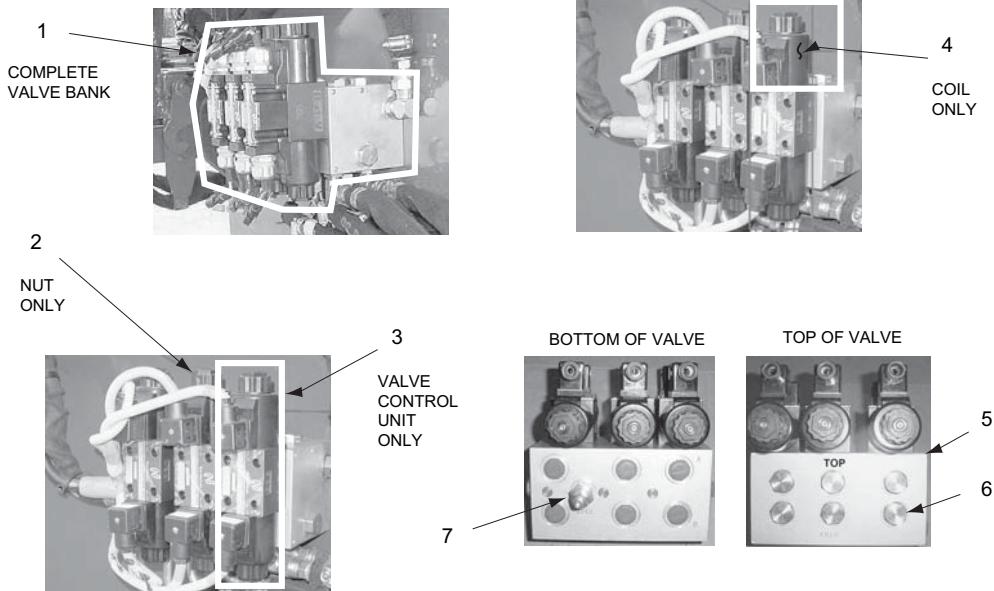


Mack Installation

CUROTTTO®

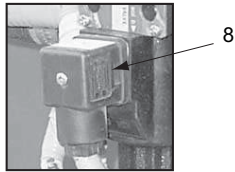
Item	Description	OEM P/N	MTM P/N
1	Armrest Pad (Volvo,Mack)	M-FL21-044	1238805
2	Volvo Armrest Support	M-FL7-0002	1238806
3	Armrest Pad (Crane Carrier, Condor)	M-FL21-047	1238807
4	Mack Armrest Support	M-FL7-A001	1220107
	Crane Carrier Armrest Support (Not Shown)	M-FL3-0176	1238808
	Condor Armrest Support (Not Shown)	M-C05-0025	
	Joystick Bracket (Peterbilt) (Not Shown)	M-FL7-0028	

Curotto® Main Valve



9

NOTE: WHEN REPLACING OLDER WEATHER PAK STYLE DIRECTIONAL VALVES REPLACE WITH NEW STYLE DIRECTIONAL VALVE: # S16-0570

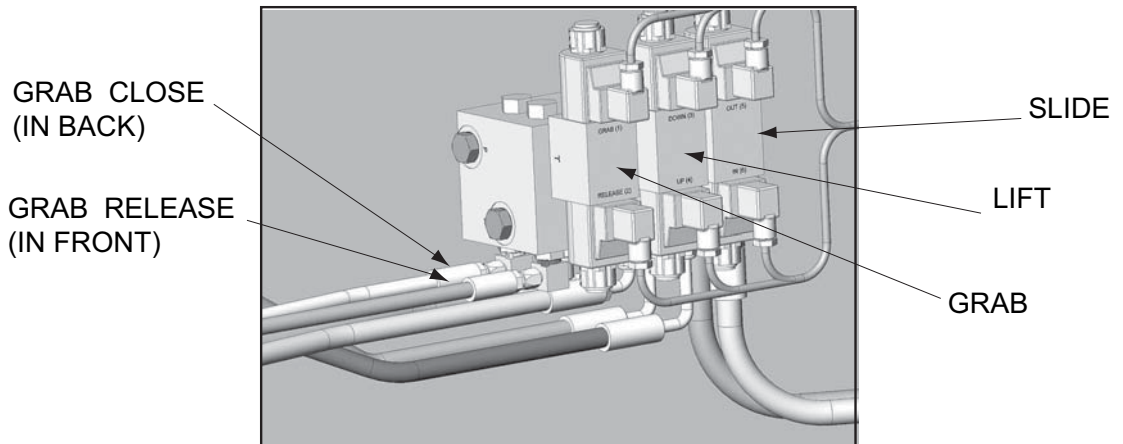
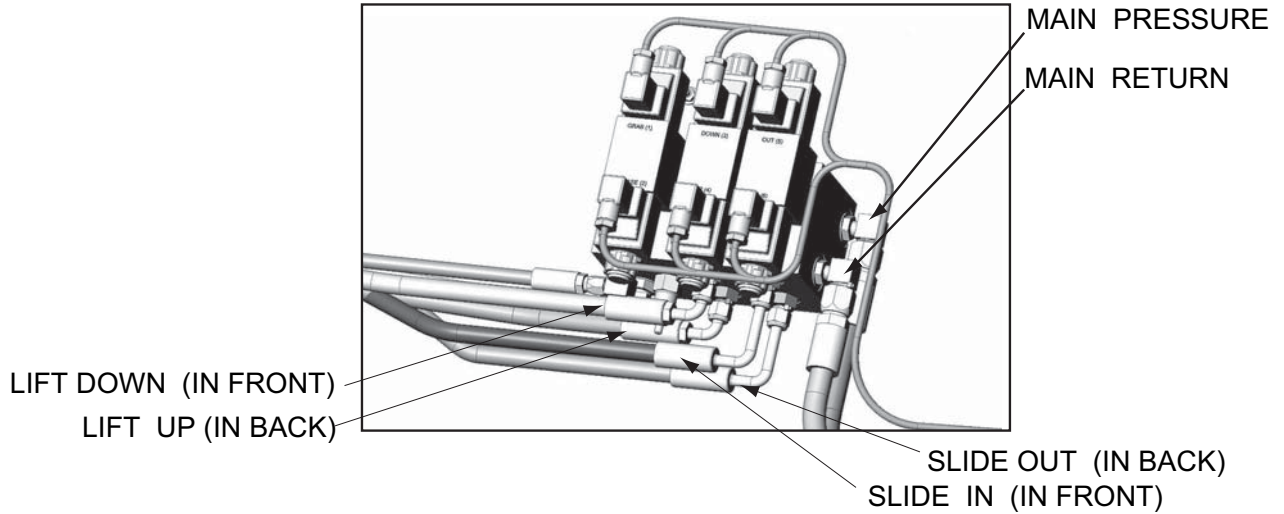


Item	Description	OEM P/N	MTM P/N
1	Complete Valve Bank Pictures shown above are of old style	M-H03-05-04 M-H10-0214	1257313
2	Coil Nut (Old style)	M-S16-0565	1255103
3	Control Valve w/ Din (Old style)	M-S16-0570	1255105
4	Din Coil (Old style)	M-S16-0569	1235692
5	Manifold (Old style)	M-S16-0566	
6	Check Valve (Old style)	M-S16-0567	1255104
7	Relief Valve (Old style)	M-RPEC-LAN	1255098
8	Din Connector	M-S16-0564	1255102
9	Conduit Coil	M-S16-0568	1331860
New Style Valve Components (Rexroth)			
1	Complete Valve Bank	M-H10-0214	1257313
2	Coil Nut (New style)	M-RRCN-21	1334896
3	Control Valve w. Din (New Style)	M-RRCV-01	1332188
4	Din Coil (New Style)	M-RRC-11	1325426
	Control Valve Bolt Kit	M-RRBK-41	1332189
	Seal Kit - Main Valve Complete	M-RRSK-31	1332190
7	Din Connector	M-S16-0564	1255102

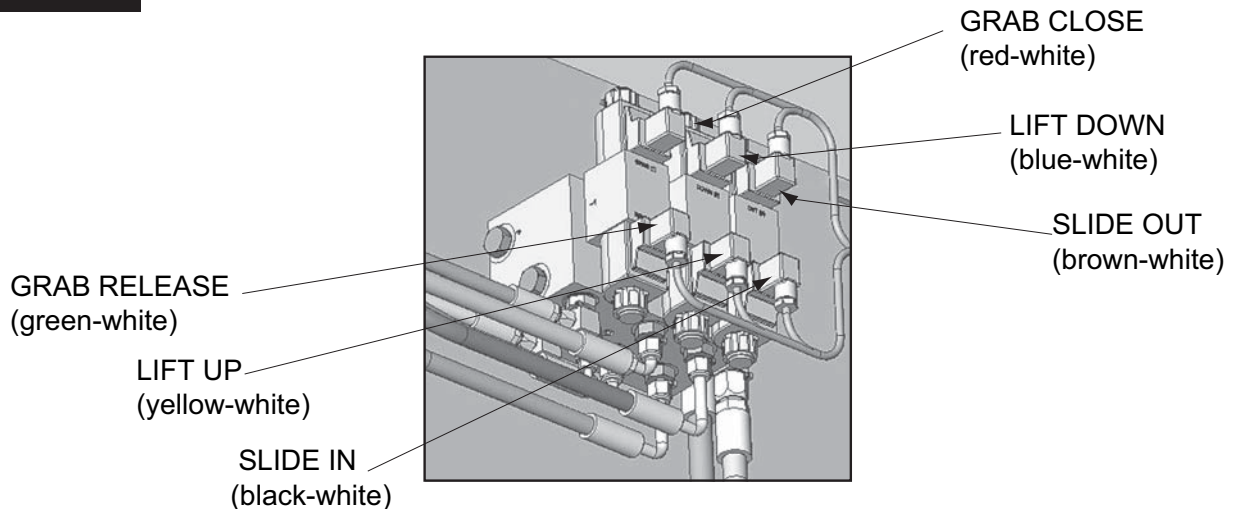
Curotto®

Curotto® Main Valve Hookup

HYDRAULIC



ELECTRICAL



CUROTTO®

Curotto® Miscellaneous Parts

Description	OEM P/N	MTM P/N
Quick Coupler, Female	M-5601-8-10S	1181565
Quick Coupler, Male	M-5602-8-10S	1181564
Hub Mount Key	M-AC02-151	1255087
Harness On Container, Old Style	M-AC8-0002	1255089
Tilt To Dump Harness From Cab To Forks	M-AC8-TD0001	1255095
Seal Kit For PTO Check Valve, Main Valve Body, Curotto-Can	M-S16-0600	1255106
Hydraulic Tube Clamp	M-TC-1	
Wear Strip Screw, 3/8-16X1"	M-THAS-1	
Belt Buckle Screw 1/4-20X 3/4	M-THAS-2	
Rubber Pad Screw 1/4-20X1 1/4	M-THAS-3	
Tapered Head Screw, Grip Arm 1/2-13X1"	M-THAS-4	

Curotto® P/N	MTM P/N	Description
M-ACCS-09	1180864	Curotto Grabber Cylinder
M-ACCS-10	1180865	Curotto Slide Cylinder
M-ACCS-11	1180866	Curotto Dump Cylinder
M-ACCS-12	1180867	Curotto Dump Cylinder

CUROTTO®