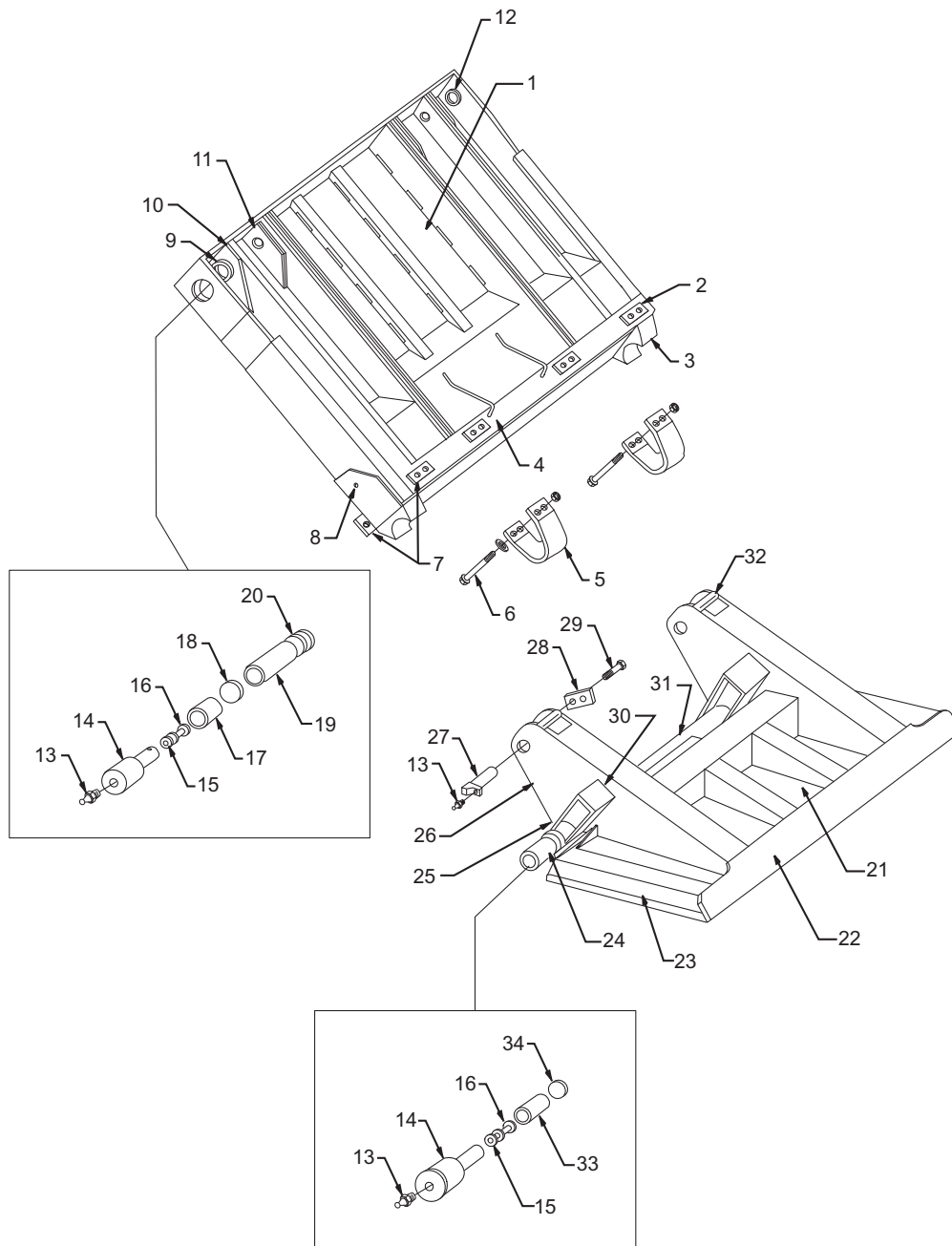


Leach® 2RII Slide / Sweep



Item	Description	OEM P/N	MTM P/N
1.	2RII Slide Weldment	M-400628	9800.623489
2.	Slide Pivot Tube	M-304204	9880.620378
3.	Slide Tube Block Weldment	M-210127	9899.623380
	Slide Tube Block Bushing	M-201217	0620408
4.	Lifting Lug		320.18306
5.	Slide Strap Assy - Weld On Bushing	M-405527	9889.623265
	Slide Strap Assy - Bolt On Bushing	M-41811	9885.623211
	2R O/S Bearing Housing - Thru Bolts	M-37408	9899.623389

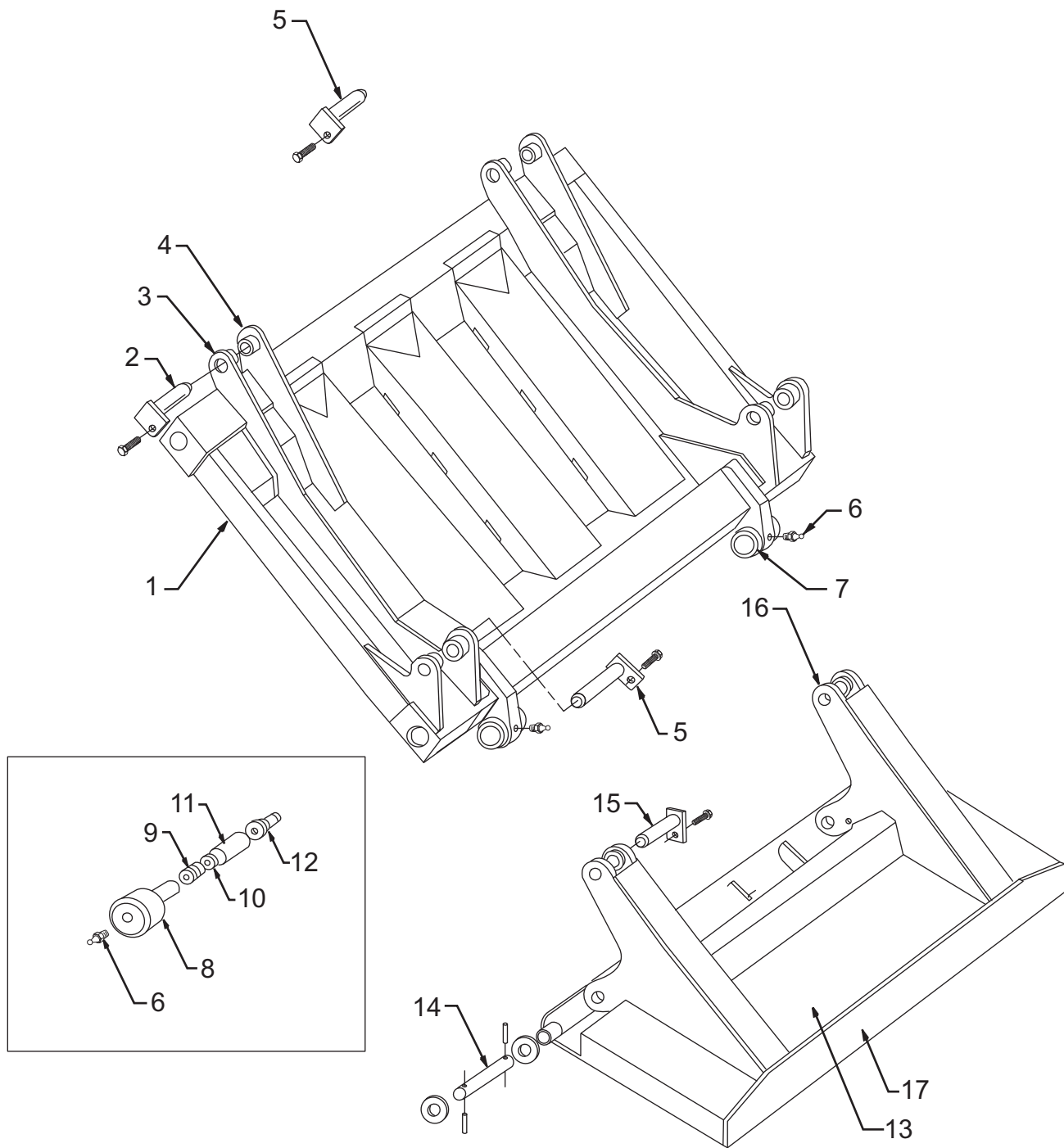
LEACH®

Leach® 2RII Slide / Sweep

Item	Description	OEM P/N	MTM P/N
	Strap Weld-on Bushing	M-2R-1120	9853.623021
	Strap Bolt-on Bushing	M-2R-1121	9853.623022
	1/4"-20 X 1" Flat Head Bolt	M-F4275	9810.623506
6.	1" X 10" Thru Bolt Kit	M-101244	9852.623012
7.	Retainer Bolt Shim	M-41816	9899.623417
8.	End Plate	M-41402	9880.623565
9.	Cylinder Inner Mount Boss		9880.620546
10.	Cylinder Inner Mount Plate		9880.620548B
11.	Packer Cylinder Mount Lug	M-203066	9880.620549
	Packer Cylinder Mount Boss		9880.620603
12.	Cylinder Mount Outer Boss w/ Hole	M-202981	9899.623376
13.	1/8" NPT Grease Fitting	M-16170	020.82208
14.	2RII 5" Roller w/ Grease Hole	M-301899H	1108493
	2R 4" Roller W/o Grease Hole	M-301909	9890.623285
15.	Roller Shim	M-SK-1817	9875.623144
16.	Roller Spacer	M-2R-1799	9899.623371
17.	Slide Roller Pivot Sleeve	M-2R-1796	9853.623023
18.	Slide Roller Pivot Sleeve Disc	M-2R-1797	9899.623370
19.	Pivot Holder Assembly (Inc. 17 & 18)	M-203062	9899.623377
20.	Split Bearing	M-2R-1224	9899.623359
21.	Sweep Weldment - Standard	M-400627-06	9800.623282
	Sweep Weldment - Heavy Duty	M-400627-04	9800.623282
	Sweep Weldment - Tag	M-400627-07	9800.620483
	Sweep Weldment - East Coast	N/A	1271771
22.	Sweep Panel Edge	M-41660	9889.623281
23.	Outside Channel		9880.620359
24.	Sweep Shaft Retainer	M-2R-1082	9810.620354
25.	3/4" Sweep Weld-on Strap	M-605158-3/4"	9885.623206
	7/8" Sweep Weld-on Strap	M-605158-7/8"	9885.623201
	1" Sweep Weld-on Strap	M-605158-1"	9885.623200
26.	Sweep Arm Socket Weldment	M-35666	9889.623276
27.	Sweep Pivot Pin Weldment	M-2R-1948	9887.623231
28.	Sweep Pivot Pin Cover	M-2R-1951	9899.623373
29.	1/2" X 1-1/4" UNC Bolt	M-F0960	020.120229.0125
30.	Sweep Strap Top Plate	M-37260	9885.623207
31.	Sweep Torque Tube Assembly	M-17231	9889.623260
32.	Sweep Pivot Bushing	M-2R-2057	1109483
33.	Sweep Roller Bearing Sleeve	M-2R-2041	9853.623025
34.	Sweep Roller Thrust Disc	M-2R-2042	9899.623374

LEACH®

Leach® Beta Slide / Sweep



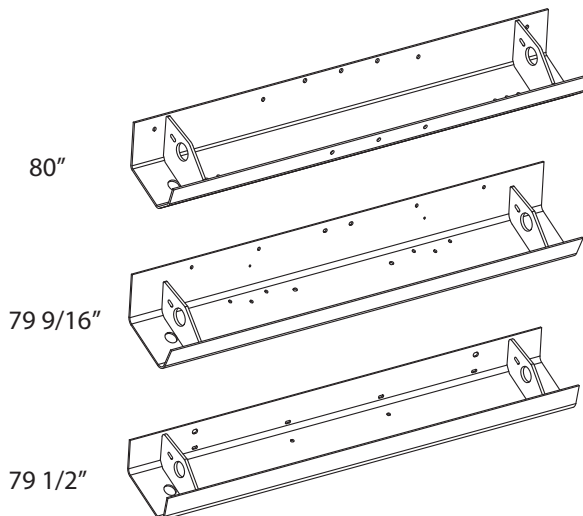
LEACH®

Leach® Beta Slide / Sweep

Item	Description	OEM P/N	MTM P/N
1	Beta Slide Weldment	M-403640	9800.620450
2	Sweep Cylinder Base End Pin	M-202896	9880.620718
	Sweep Cylinder. Base End Pin Spacer	M-204469	9820.620564
3	2" Slide Boss		9880.620462
4	2-3/4" Slide Boss		9880.620461
5	Slide Cylinder Pin	M-202894	9820.620520
6	1/4" Grease Fitting	M-16170	020.82208
7	Slide Sweep Pivot Lug		9880.620466
	Sweep Pivot Boss		9880.620467
8	Sweep 5" Roller w /grease Hole	M-301899H	1108493
9	Sweep Roller Shim	M-SK-1817	9875.623144
10	Sweep Roller Spacer	M-2R-1799	9899.623371
11	Slide Roller Pivot Sleeve	M-2R-1796	9853.623023
	Slide Roller Pivot Sleeve - MTM		9820.620486
12	Plug	M-201114	1109374
13	Beta Sweep Weldment	M-406892-04	9800.620484
14	Beta Sweep To Slide Pin	M-204966	9820.620524
	Beta Sweep To Slide Pin Washer	M-103834	9820.620523
	Beta Sweep To Slide Pin Roll Pin	M-103836	9820.620522
15	Sweep Cylinder Rod End Pin	M-202902	9820.620521
	Sweep Cylinder. Rod End Pin Spacer	M-204469	9820.620564
16	Sweep Cylinder Mount Boss		9880.620433
17	Sweep Panel Edge		9880.620427

LEACH®

Leach® Tailgate Cross Channels



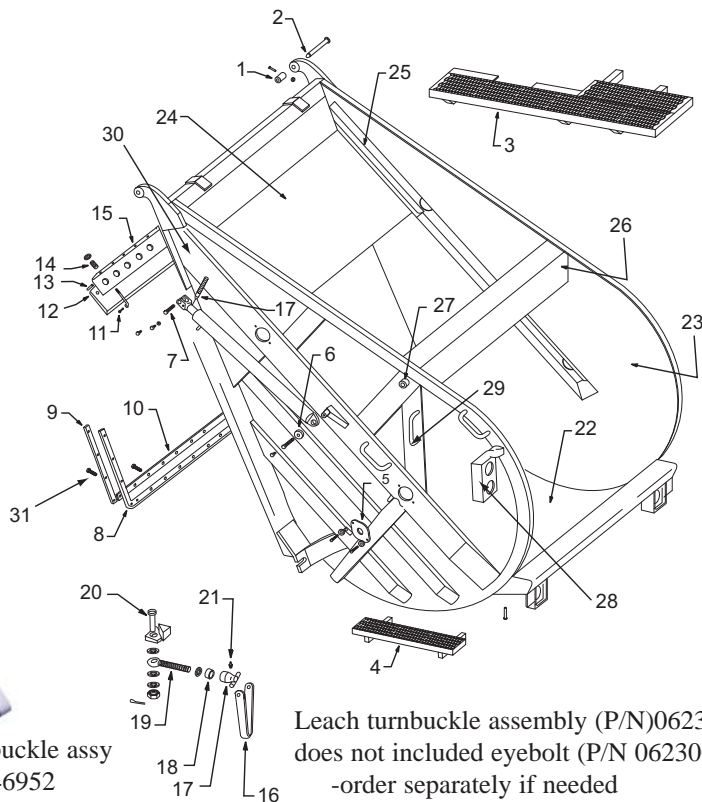
1240519
M-700021
 80" Across

1141145
M-406764
 79 9/16" Across

9884.623151
M-400484
 79 1/2" Across

Verify measurements and hole pattern

Leach® 2RII Tailgate Assembly



McNeilus style turnbuckle assy
MTM P/N 1146952

Leach turnbuckle assembly (P/N)0623240
does not included eyebolt (P/N 0623009)
-order separately if needed

Item	Description	OEM P/N	MTM P/N
1	Beta Tailgate Spacer (All)	M-201124	9880.620719
2	2RII Tailgate Pin (All)	M-203553	9820.620720
	2R Tailgate Pine	M-PO-1227	9887.623214
3	Extra Surface Step Weldment, LH	M-306143	
	Extra Surface Step Weldment, RH	M-306144	
4	2RII/2R Step Weldment, LH (SN 0001 - 9717)	M-406179	1141106
	2RII/2R Step Weldment, RH (SN 0001 - 9717)	M-406180	1141143
	2RII Step Weldment, LH (SN 9719 & Up)	M-405839	1108961
	2RII Step Weldment, RH (SN 9719 & Up)	M-405840	1108959
5	2RII Track Cover (All)	M-201735	1268828
	2R Track Cover	M-2R-1070	
6	2RII/2R Pivot Cover (All)	M-PO-205	
7	2RII/2R Tailgate Lift Cylinder Pin (All)	M-PO-420	9887.623216
	2RII/2R Tailgate Lift Cylinder Pin Retainer (All)	M-PO-421	9810.623844
8	2RII/2R Tailgate Seal 14.5 FT (SN 0001 - 9717)	M-601676	9840.6231061
	2RII/2R Tailgate Seal 17 FT (SN 0001 - 9717)	M-601675	9840.623758
	2RII/2R Tailgate Seal - Sold By The Foot	M-601554	1149349
	2RII/2R Tailgate Seal - Hd 16.5 FT (Optional)	M-10072HD	9869.623088
	2R Tailgate Seal	M-PO-241	9869.623081
9	2RII/2R Tailgate Seal Side Strap (SN Up To 16000)	M-PO-558	9884.623160
	2RII/2R Tailgate Seal Side Strap - Long (SN Up To 16000)	M-401059	9885.623407
10	2RII/2R Tailgate Seal Bottom Strap (SN Up To 16000)	M-400102	9884.623190

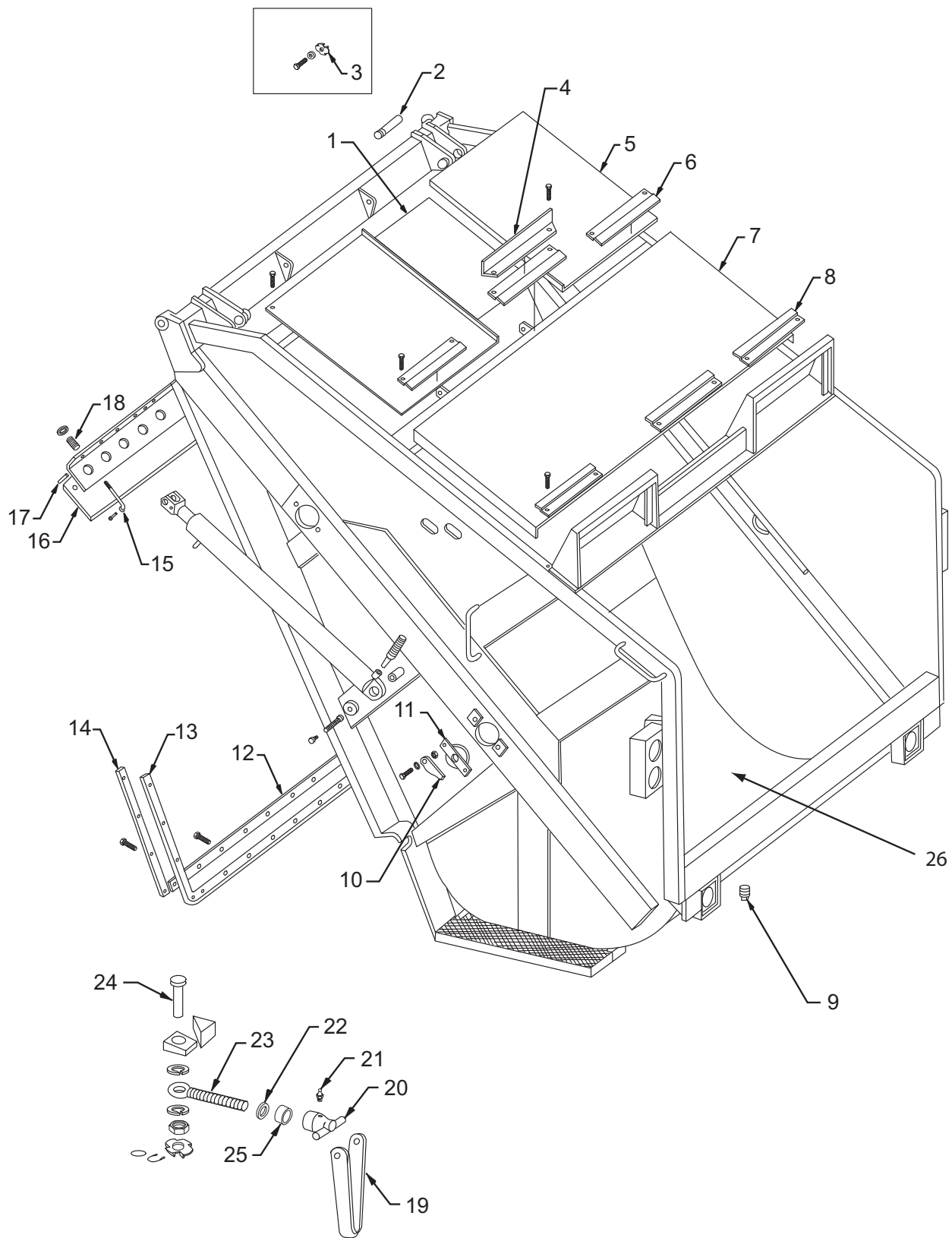


Leach® 2RII Tailgate Assembly

Item	Description	OEM P/N	MTM P/N
11	2RII/2R Wiper Bolt (SN Up To 16000)	M-2R-1123	9852.623013
12	2RII/2R Standard Steel Wiper (SN Up To 16000)	M-302364	1109354
	2RII/2R Aluminum Wiper (SN Up To 16000)	M-2R-1122	9889.623264
	2RII/2R Heavy Duty Weld-on Wiper (SN Up To 16000)	M-307565	
13	2RII/2R Wiper Stop (SN Up To 16000)	M-2R-1069	9899.623351
14	2RII/2R Wiper Spring (SN Up To 16000)	M-16211	9870.623392
15	2RII/2R Wiper Angle (SN Up To 16000)	M-2R-1068	9885.623202
16	2RII/2R Turnbuckle Handle (SN Up To 20340)	M-PO-2303	9180.603892
	2RII/2R Turnbuckle Assembly-MTM style (SN Up To 20340)		1146952
17	2RII/2R Turnbuckle Hub (SN Up To 20340)	M-PO-2300	9899.623319
18	2RII/2R Turnbuckle Bearing (SN Up To 16000)	M-16162	9320.601893
	2RII/2R Turnbuckle Clamp Assembly (SN Up To 20340)	M-PO-2299	9888.623240
19	2RII/2R Turnbuckle Eyebolt - Standard (SN Up To 20340)	M-PO-247	9852.623009
	Turnbuckle Eyebolt - Tag (SN Up To 20340)	M-210427	
20	2RII/2R Turnbuckle Eyebolt Pin (All)	M-PO-1501	9887.623215
21	2RII/2R Turnbuckle Clamp Grease Fitting (SN Up To 20340)	M-16171	040.115165
22	2RII 1/4" Hopper Floor (SN Up To 16000)	M-601038	1108960
	2RII 1/2" Hopper Floor (SN Up To 16000)	M-306895	
	2R 3/16" Hopper Floor	M-PO-220	9880.6231029
	2RII/2R Hopper Liner (SN Up To 16000)	M-401033	9884.623152
23	2RII Side Liner (SN Up To 16000)	M-401212	9880.623668
	2R 1/8" Side Liner	M-400278	9885.623209
	2R 1/4" Side Liner	M-15568	9885.623199
24	2RII/2R 1/4" Center Partition (SN Up To 16000)	M-300501	1108415
	2RII 3/16" Center Partition (SN Up To 16000)	M-303235	9889.623274
25	2RII Square Track Bar (SN Up To 16000)	M-204106	9884.623442
	2RII Track Bar - AR400	M-204106	1149258
	2R Track Bar	M-PO-1195	9885.623192
26	2RII Rear Cross Channel (SN Up To 9717)	M-400484	9880.623664
	2RII Rear Cross Channel (SN 9719 - 16000)	M-406764	1141145
	2R Rear Cross Channel	M-PO-218	9884.623151
27	2RII Tailgate Outside Hub	M-200721	9899.623408
	2R Tailgate Outside Hub	M-2R-1055	9899.623350
*	2RII/2R Tailgate Bottom Angle	M-PO-221	9884.623153
*	2RII Tailgate Inner Hub	M-204945	1108419
	2R Tailgate Inner Hub	M-41682	9899.623391
	2R Inner Cross Channel Gusset	M-41124	9884.623191
28	2RII 2 Hole Light Bracket	M-302245	1139361
29	Grab Handle	M-15251	9888.623246
30	2RII Track Channel - RH (All)	M-400394	9880.623487
	2RII Track Channel - LH (All)	M-400395	9880.623488
	2R Track Channel - RH	M-PO-186	9884.623471
	2R Track Channel - LH	M-PO-187	9884.623472
31	3/8"-16 X 1",Flat Socket Head Bolt	M-F5675	9810.623857

LEACH®

Leach® Beta Tailgate Assembly



LEACH®

Leach® Beta Tailgate Assembly

Item	Description	OEM P/N	MTM P/N
1	Standard Center Tailgate Cover	M-300250	
	Winch Center Tailgate Cover	M-300249	
2	Tailgate Pin	M-200572	9820.620717
3	Tailgate Pin Retainer	M-PO-410	9810.623527
4	Center Bracket	M-301333	
5	Standard Side Tailgate Cover	M-300248	
	Winch Side Tailgate Cover	M-300247	
6	Top Cover Clip	M-300251	
7	Tailgate Lower Cover	M-402809	
8	Bottom Cover Clip	M-300252	
9	1-1/4" Pipe Plug		040.00939
10	Cover, RH	M-200312	1133510
	Cover, LH	M-200313	1133511
11	Track Hole Cover	M-205991	
12	Tailgate Seal Bottom Strap	M-301356	9840.620494
13	Tailgate Seal	M-102850	9840.6231061
14	Tailgate Seal Side Strap	M-301355	9840.620493
15	Wiper Bolt	M-2R-1123	9852.623013
16	Wiper	M-400193	9893.623401
17	Wiper Base Weldment	M-403841	9800.620579
18	Wiper Spring	M-16211	9870.623392
19	Turnbuckle Handle	M-PO-2303	9180.603892
	Turnbuckle Handle Assembly	M-PO-2299	9888.623240
	Turnbuckle Assembly		1146952
20	Turnbuckle Hub	M-PO-2300	9899.623319
21	Turnbuckle Clamp Grease Fitting	M-16171	040.115165
22	Turnbuckle Washer	M-PO-687	
23	Turnbuckle Eyebolt	M-PO-247	9852.623009
24	Turnbuckle Eyebolt Pin	M-PO-1501	9887.623215
25	Turnbuckle Bearing	M-16162	9320.602893
26	Track Bar (Not Shown)	M-205934	9820.620694
	Track Bar (Not Shown)	M-204832	1131007

LEACH®

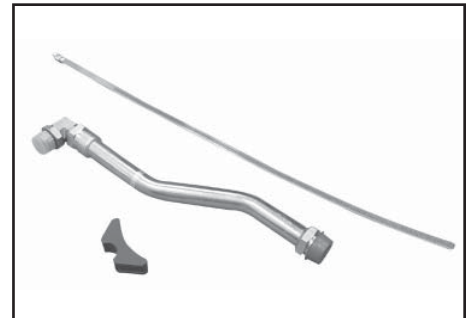
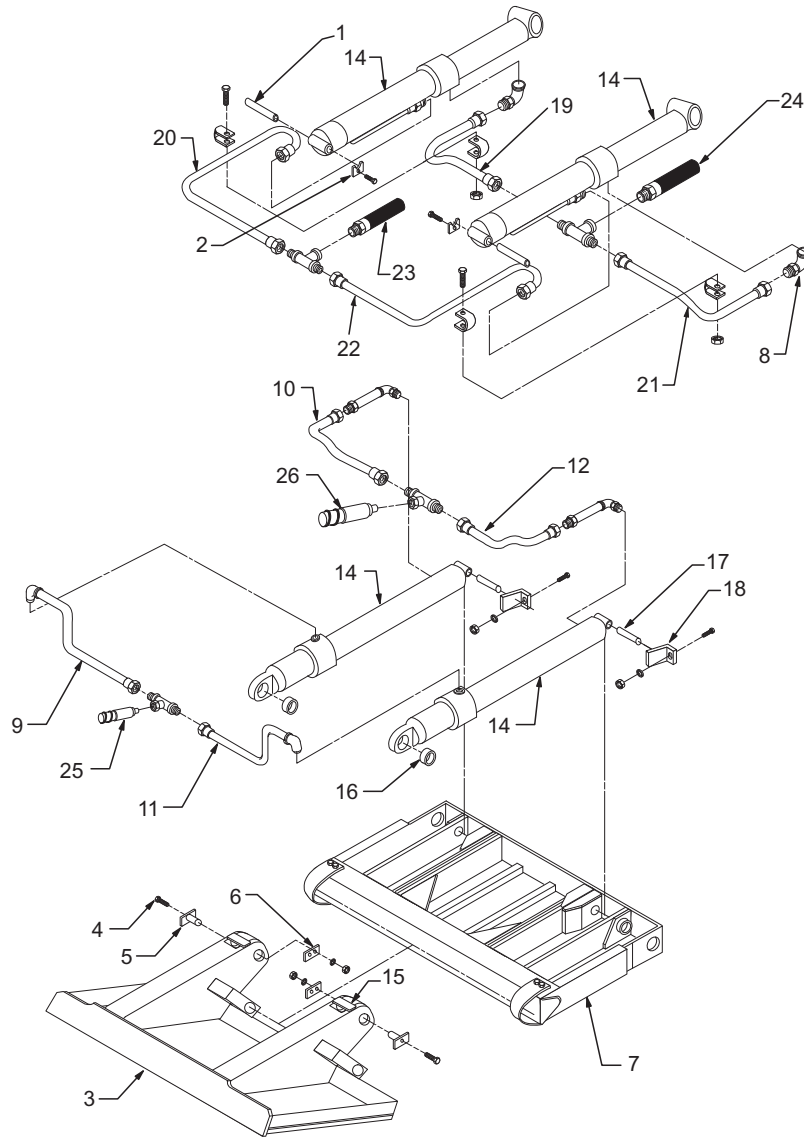


McNeilus Style Leach® Turnbuckle Assembly

Leach® Turnbuckle Assembly
1146952
11 1/4" Turnbuckle Handle
M-PO-2303
9888.623241

Turnbuckle Thrust Bearing
M-16162
9320.603896 - Steel
9320.605691 - Nylatron
Leach® Turnbuckle Rod Eye
M-PO-247
9852.623009

Leach® 2RII Slide / Sweep Plumbing



Operating Cylinder Tube Kit
Used on 2RII with SNs below 6970

Kit Assembly	1149574
Clamp	1137311
Hydraulic Tube	1137313
Tube Rest	1137314
#20 Union	1137312
#16 Reducer	1106778
90 Degree Fitting	040.12794

Leach® fittings are incorporated into the McNeilus replacement tube as shown

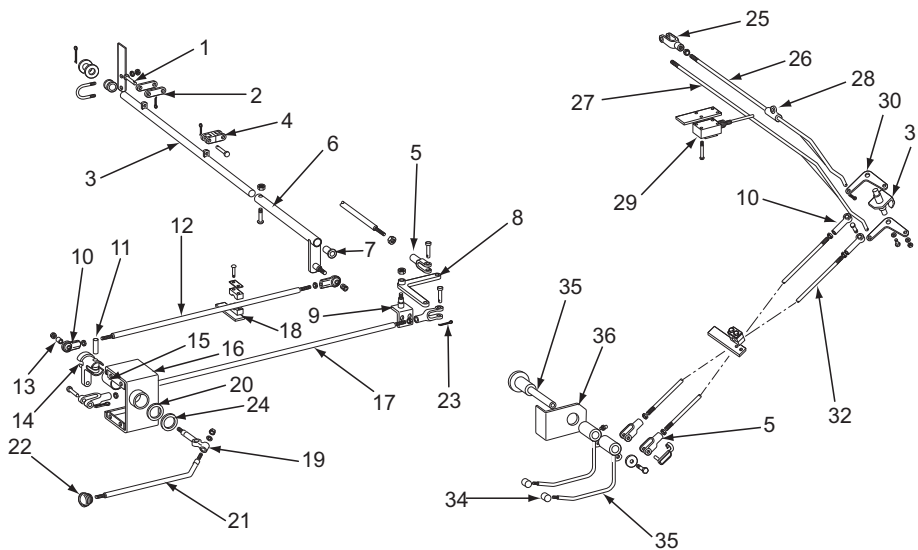
Item	Description	OEM P/N	MTM P/N
1	2RII Slide Cylinder Base End Pin (Above SN 5988)	M-204946	1131265
	2RII Slide Cylinder Base End Pin (Below SN 5987)	M-200740	9887.623236
	2R Slide Cylinder Base End Pin (11 3/4")	M-2R-2036	9887.623232
	2R Slide Cylinder Base End Pin (12 3/4")	M-202883	9887.623450
2	2RII/2R Pin Retainer	M-200786	9899.623375
3	2RII/2R Standard Sweep Weldment	M-400627	9800.623282
	2RII/2R Tag Axle Sweep Weldment	M-400627-07	9800.620483
4	1/8"-28 Straight Grease Fitting	M-16170	020.82208
5	2RII/2R Sweep Pivot Pin	M-2R-1948	9887.623231
6	2RII/2R Pin Cover	M-2R-1951	9899.623373
7	2RII/2R Slide Weldment	M-400628	9800.623489
8	90° Fitting	M-18008	2062 20 20S
9	2RII Sweep Cylinder Rod End Tube - LH (SN 9719 After)	M-405853	9870.620550
	2RII/2R Sweep Cylinder Rod End Tube - LH (SN 9718 Before)	M-2R-1307	9873.623137

Leach® 2RII Slide / Sweep Plumbing

Item	Description	OEM P/N	MTM P/N
10	2RII Sweep Cylinder Base End Tube - LH (SN 9719 After)	M-406693	9870.620552
	2RII Sweep Cylinder Base End Tube - LH (SN 6972-9717)	M-404755	1108496
	2RII/2R Sweep Cylinder Base End Tube - LH (SN 0001-6972)	M-2R-2077	9873.623140
11	2RII Sweep Cylinder Rod End Tube - RH (SN 9719 After)	M-405853	9870.620550
	2RII/2R Sweep Cylinder Rod End Tube - RH (SN 9718 Before)	M-2R-1306	9873.623136
12	2RII Sweep Cylinder Base End Tube - RH (SN 9719 After)	M-406692	9870.620551
	2RII Sweep Cylinder Base End Tube - RH (SN 6972-9717)	M-404754	1108495
	2RII/2R Sweep Cylinder Base End Tube - RH (SN 0001-6972)	M-2R-2078	9873.623141
13	90° Fitting	M-210828	9830.620561
14 *	Operating Cylinder (2RII SN Up To 6971 & 2R)	M-304805	9830.620698
	Operating Cylinder Hose Clamp	M-2127-0010A	1137311
	Operating Cylinder Hydraulic Tube	M-304739	1137313
	Operating Cylinder Tube Rest	M-207928	1137314
	2RII Operating Cylinder (SN 6982-9717))	M-306562	9870.620695
	2RII Operating Cylinder (SN 9719 & After)	M-307081	9870.620568
#	Operating Cylinder (Universal)		1108973
	Tag Axle Operating Cylinder (Units After 3/96)	M-307082	9830.620509
15	Hub	M-2R-2057	1109483
16	2RII/2R Pin Bushing	M-2R-1950	9853.623024
17	2RII Sweep Cylinder Base End Pin	M-200787	9887.623237
	2R Sweep Cylinder Base End Pin - 1 1/2"	M-2R-1916	9887.623230
	2R Sweep Cylinder Base End Pin (For 401030 Carrier)	M-202702	9887.623449
18	2RII/2R Retainer (SN 2R 11138 & After)	M-35380	9899.623381
	2R Retainer (SN 11137 & Before)	M-2R-1917	9899.623372
19	2RII Slide Cylinder Rod End Hose - LH (SN 9719 After)	M-306010-01	9830.620511
	2RII Slide Cylinder Rod End Tube - LH (SN 6972-9717)	M-405005	
	2RII/2R Slide Cylinder Rod End Tube - LH (SN 0001-6972)	M-2R-1311	9873.623139
20	2RII Slide Cylinder Base End Hose - LH (SN 9719 After)	M-306014-02	9830.620513
	2RII Slide Cylinder Base End Tube - LH (SN 6972-9717)	M-404941	
	2RII/2R Slide Cylinder Base End Tube - LH (SN 0001-6972)	M-18091	9873.623134
21	2RII Slide Cylinder Rod End Hose - RH (SN 9719 After)	M-306010-01	9830.620511
	2RII/2R Slide Cylinder Rod End Tube - RH (SN 9718 Before)	M-2R-1310	9873.623138
22	2RII Slide Cylinder Base End Hose - RH (SN 9719 After)	M-306014-03	9830.620512
	2RII Slide Cylinder Base End Tube - RH (SN 6972-9717)	M-404792	1132174
	2RII/2R Slide Cylinder Base End Tube - RH (SN 0001-6972)	M-18090	9873.623133
23	2RII Slide Cylinder Rod End Hose (SN 9718 Before)	M-201002	9861.623437
	2R Slide Cylinder Rod End Hose	M-15807	9861.623043
24	2RII Slide Cylinder Base End Hose (SN 9718 Before)	M-15805	9861.623041
	2R Slide Cylinder Base End Hose	M-15805	9861.623041
25	2RII Sweep Cylinder Rod End Hose (SN 9718 Before)	M-201000	9861.623435
	2R Sweep Cylinder Rod End Hose	M-15806	9861.623042
26	2RII Sweep Cylinder Base End Hose (SN 9718 Before)	M-201001	9861.623436
	2R Sweep Cylinder Base End Hose	M-15808	9861.623044

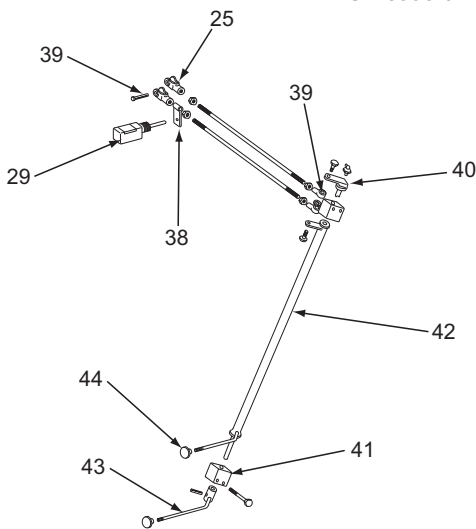
LEACH®

Leach® 2RII Tailgate Control Linkage



SN 0001-8993

SN 8993-9717



SN 9719-16000

Item	Description	OEM P/N	MTM P/N
1	Clevis Pin	M-SK-478	9887.623220
2	Valve Spool Link	M-2R-1354	9899.623360
3	Support Crank Weldment	M-202038	9880.623700
4	Adjustable Valve Spool Link	M-202074	9850.623703
5	Clevis	M-SK-475	9876.623146
6	Crank Assembly	M-202055	9850.623702
7	Shaft Weldment Boss	M-202050	9880.623701
8	Bell Crank w/ Bushing	M-203225	1109458
9	Pivot Weldment	M-200949	9884.623183
10	Rod End	M-16210	9876.623147

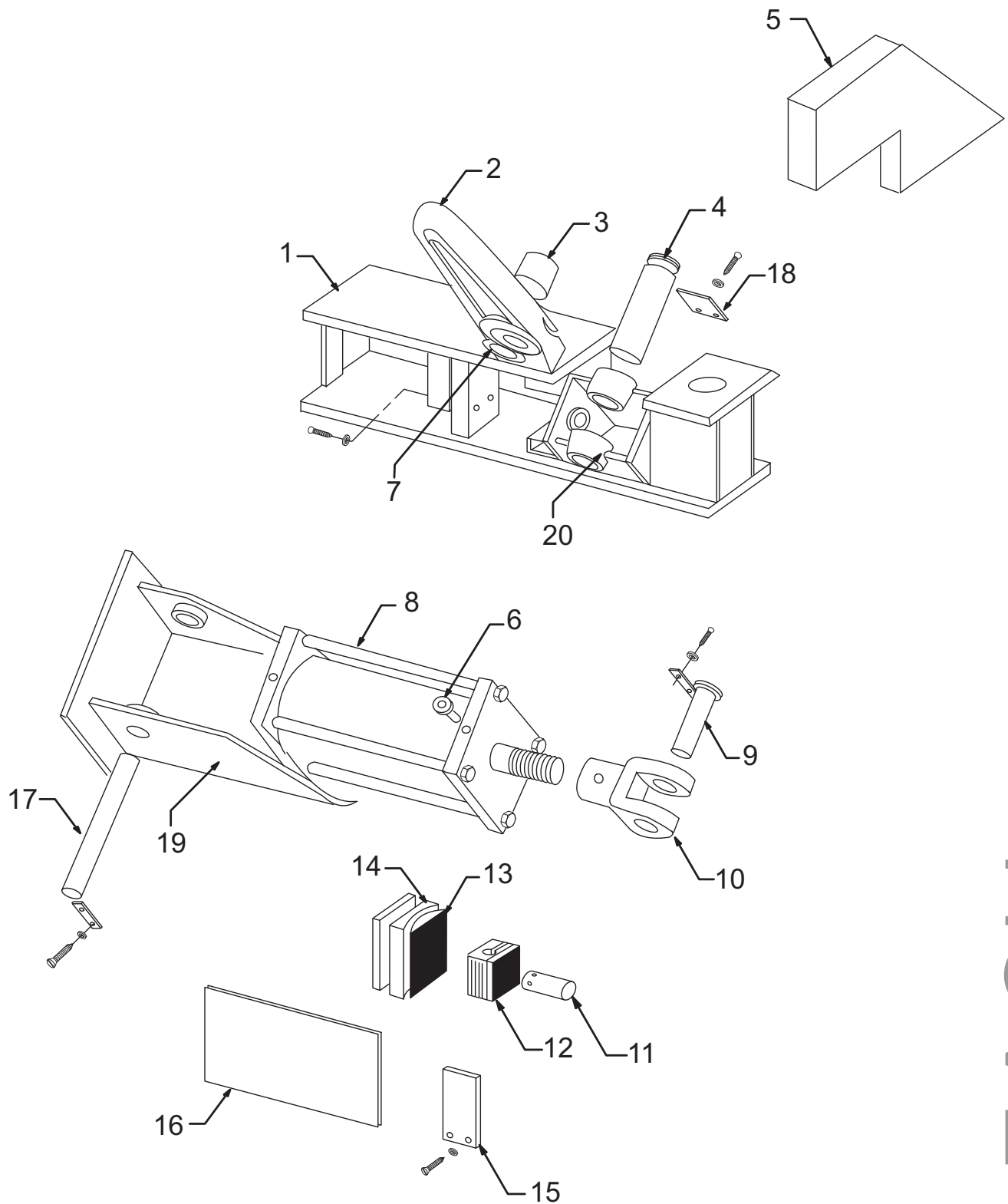
LEACH®

Leach® 2RII Tailgate Control Linkage

Item	Description	OEM P/N	MTM P/N
11	Rotary Lever Pin	M-2R-1484	9887.623239
12	Upper Control Rod	M-203369	9850.623712
13	Rod End Spacer	M-2R-1501	9899.623365
14	Rotary Lever	M-17916	9888.623248
15	Hub Lever Bushing	M-36662	9853.623027
16	Control Bracket	M-302247	9850.623911
17	Lower Control Rod	M-203371	9850.623713
18	Control Rod Support	M-100912	9880.623585
19	Control Lever	M-201661	9888.623255
20	Retainer Bushing	M-36664	9899.623386
21	Lever Handle (SN 3425-8893)	M-302259	9888.623413
	Lever Handle (SN 0420-3425)	M-301176	9888.623256
	Lever Handle (SN 0001-0420)	M-301043	9888.623412
22	Black Knob	M-1152	9865.623064
23	1/8" X 1" Cotter Pin	M-F6750	020.115158.1000
24	Retaining Ring	M-16233	9870.623106
25	Clevis	M-104696	9010.602283
26	Control Rod	M-208231	1226359
27	Control Rod	M-208230	1226358
28	Bracket Weldment	M-107099	1226362
29	Whisker Switch - 180 Degree	M-100327	1130495
	Whisker Switch - 90 Degree		9871.623114
30	Bell Crank w/ Bushing	M-106172	9850.620811
31	Pivot Bracket Weldment	M-208847	1226363
32	Control Rod	M-305413-01	1226364
	Control Rod Assembly	M-305463-01	1226365
33	Pivot Handle Washer	M-SR-7012	1226366
34	Handle	M-208824	1226368
35	Pivot Handle Weldment	M-208902	1226370
36	Pivot Handle Angle	M-208825	1226369
37	Clevis Pin	M-107616	1109259
38	Switch Trigger	M-107818	1109257
39	Rod End	M-102291	9850.623592
40	Control Rod Weldment	M-209802	1109252
41	Bearing Block	M-41162	9891.623294
	1" Bushing	M-41159	1109250
	1 1/2" Bushing	M-41160	1109251
42	Control Lever Tube Weldment	M-209800	1109248
	Control Rod Weldment	M-209802	1109252
	Tag Axle Control Rod Weldment	M-210117	1109249
43	Standard Control Lever Weldment	M-306223	1109255
44	Control Lever Knob	M-108229	9865.623064

LEACH®

Leach® 2RII Clamp Assembly

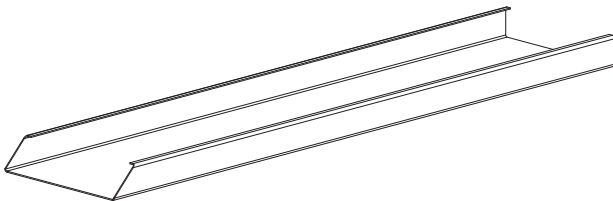


LEACH®

Leach® 2RII Clamp Assembly

Item	Description	OEM P/N	MTM P/N
1.	Clamp Base Weldment - 2RII	M-400537	1130324
	Clamp Base Weldment - 2R	M-PO-428	9800.623528
2.	Pivot Arm Assembly	M-400897	9899.623468
3.	Pivot Arm Bushing	M-41670	9820.623623
4.	Pivot Arm Pin	M-41463	9820.623650
5.	20 Yd Pushout Bar	M-300742	9884.623184
	25 Yd Pushout Bar	M-PO-481	9884.623156
	31 Yd Pushout Bar	M-PO-31-6	9884.623155
6.	Clamp Cylinder Breather	M-37780	9830.623675
7.	Circular Plate Bearing	M-41666	9851.623467
8.	Clamp Cylinder	M-406370	9872.623473
9.	Clamp Cylinder Clevis Pin	M-41606	9810.623652
10.	Clamp Cylinder Clevis	M-300418	1109244
11.	Clamp Pin Rocker	M-PO-452	9887.623218
	Clamp Pin Rocker - 5-1/16"	M-206831	1109245
12.	Clamp Block	M-203395	9891.623311
13.	Clamp Shoe	M-PO-323	9891.623290
14.	Clamp Shoe Socket - 2RII	M-41407	9880.623648
	Clamp Shoe Socket - 2R	M-PO-327	9810.623843
15.	Clamp Shoe Cover	M-41409	1109246
16.	Plate Cover	M-300585	1109247
17.	Clamp Pivot Pin 2RII	M-200833	9880.623721
	Clamp Pivot Pin 2R	M-PO-549	9887.623217
	Shim	M-PO-317	9899.623325
18.	Keeper	M-41446	1109474
19.	Clamp Cylinder Support Weldment	M-405608	1109471
20.	Pin Housing Weldment	M-14162	1109472
	Pushout Bar To Cyl. Retainer	M-PO-484	9884.623157
	Upper Weldment Clamp		0623194
	Lower Weldment Clamp		0623195

LEACH®



Leach® 2RII 25YD Ejector Trough

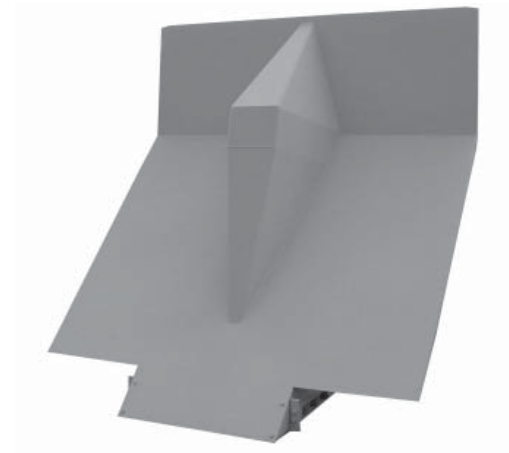
M-400294

1108796

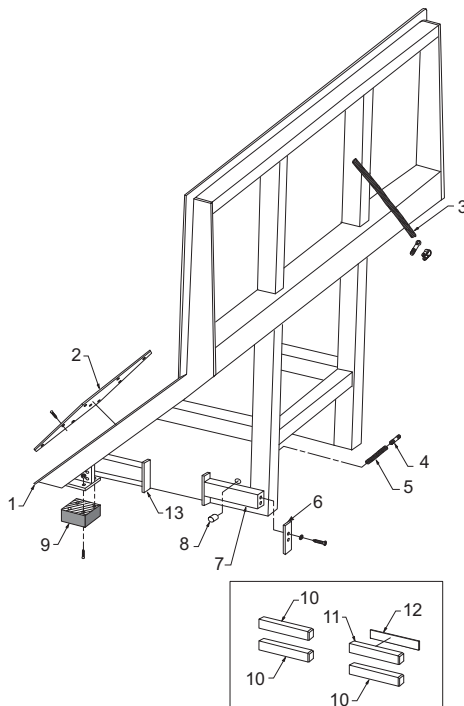
Leach® 2RII 31YD Ejector Trough

M-406399

1108797



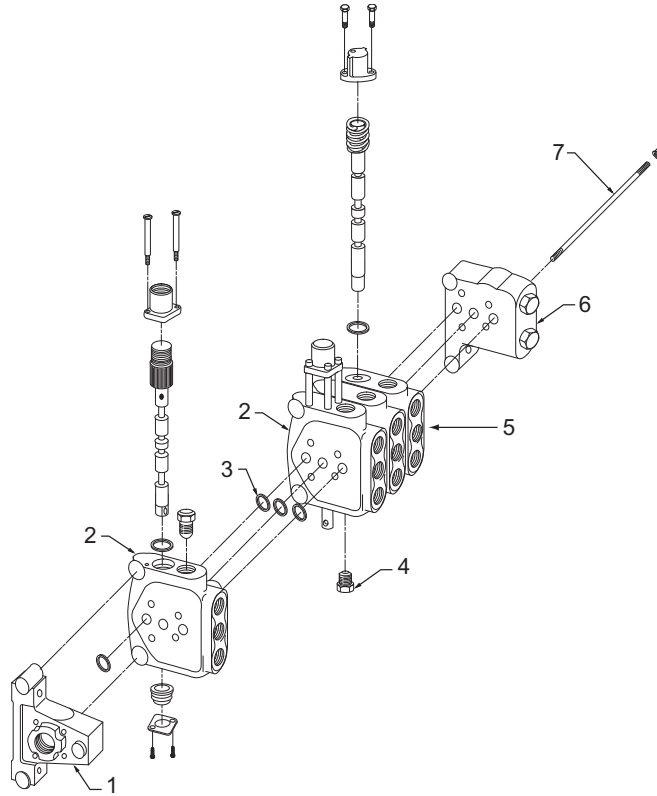
Leach® Ejectors



Item	Description	OEM P/N	MTM P/N
1	2RII Ejector Weldment - Clamp	M-500065	1108225
	2RII Ejector Weldment - Tele	M-500549	9800.620556
	Beta Ejector Weldment - Tele	M-500628-1	9830.620492
2	2RII Access Cover	M-209529	1107984
	Beta Access Cover	M-302224	9820.623697
3	Hose Spring	M-39020	9870.623112
4	Adjusting Bolt	M-P16-1262	9852.623010
5	2RII Adjusting Bolt Spring	M-16106	9870.623104
	Beta Adjusting Bolt Spring	M-100080	9870.623396
6	Ejector Shoe Retainer	M-200197	9810.623739
7	2RII Shoe Holder	M-303043	1105991
	Beta Show Holder	M-300156	9880.620635
8	Spring Holder Cap	M-200385	9810.6231067
9	2RII/Beta Ejector Outer Shoe	M-200196	9891.623308
	2RII/Beta Ejector Outer Shoe Assy	M-300152	1145230
	2R Ejector Outer Shoe	M-PO-486	9891.623296
10	2RII Ejector Shoe - Plastic	M-200849	9891.623310
	2RII Ejector Shoe - Graphite	M-603037	9820.620575
	Beta Ejector Shoe	M-200194	9891.623398
	2R Ejector Shoe	M-PO-349	9891.623292
	2RII Ejector Shoe	M-200848	9891.623309
11	Beta Ejector Show	M-200195	9891.623399
	2RII Ejector Shoe Shim	M-31728	9891.623444
12	Beta Ejector Shoe Shim	M-202674	1108109
	Beta Front Shoe Holder	M-300118	9880.620733

LEACH®

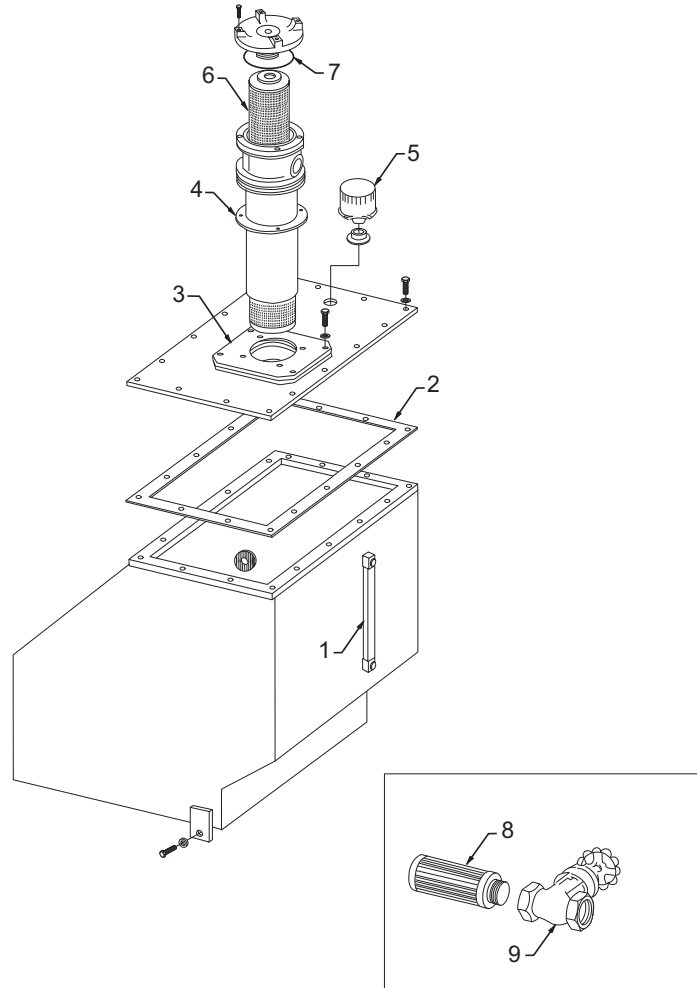
Leach® 2RII Tailgate Valve



Item	Description	OEM P/N	MTM P/N
1	Outlet Section	M-940070	1138553
2	Slide Section	M-940015	1181513
	Sweep Section	M-940017	1139706
	Complete Section Seal Kit	M-601626	1180278
	Spool Seal Kit (1 Per Section)	M-601625	1109321
	Bonnet	M-940030	1181514
	Kickout Assembly Less Spool	M-601623	1181515
	Kickout Spool Kit	M-601591	9380.620515
3	Section Seal Kit (Between Sections)	M-950005	1180277
4	Packer Relief Valve	M-940061	1181517
5	Accessory Section	M-940016	1181518
	Spool Seal Kit (2 Per Section)	M-601621	1109321
	Accessory Postioner Kit	M-601620	1138551
6	Inlet Section	M-601619	1138552
7	2 Section Tie Rod Kit	M-601714	1181519
	3 Section Tie Rod Kit	M-940092	1181520
	4 Section Tie Rod Kit	M-601725	1181521
10	2 Section Valve Assembly	M-601327-08/14	1146795
	3 Section Valve Assembly	M-601327-09/15	1139516
	4 Section Valve Assembly	M-601327-10/16/24	1146796
11	Boot Assembly	M-601622	1181522
12	Load Check Plug	M-940040	1181523
13	Relief Valve Plug	M-940064	1181524

LEACH®

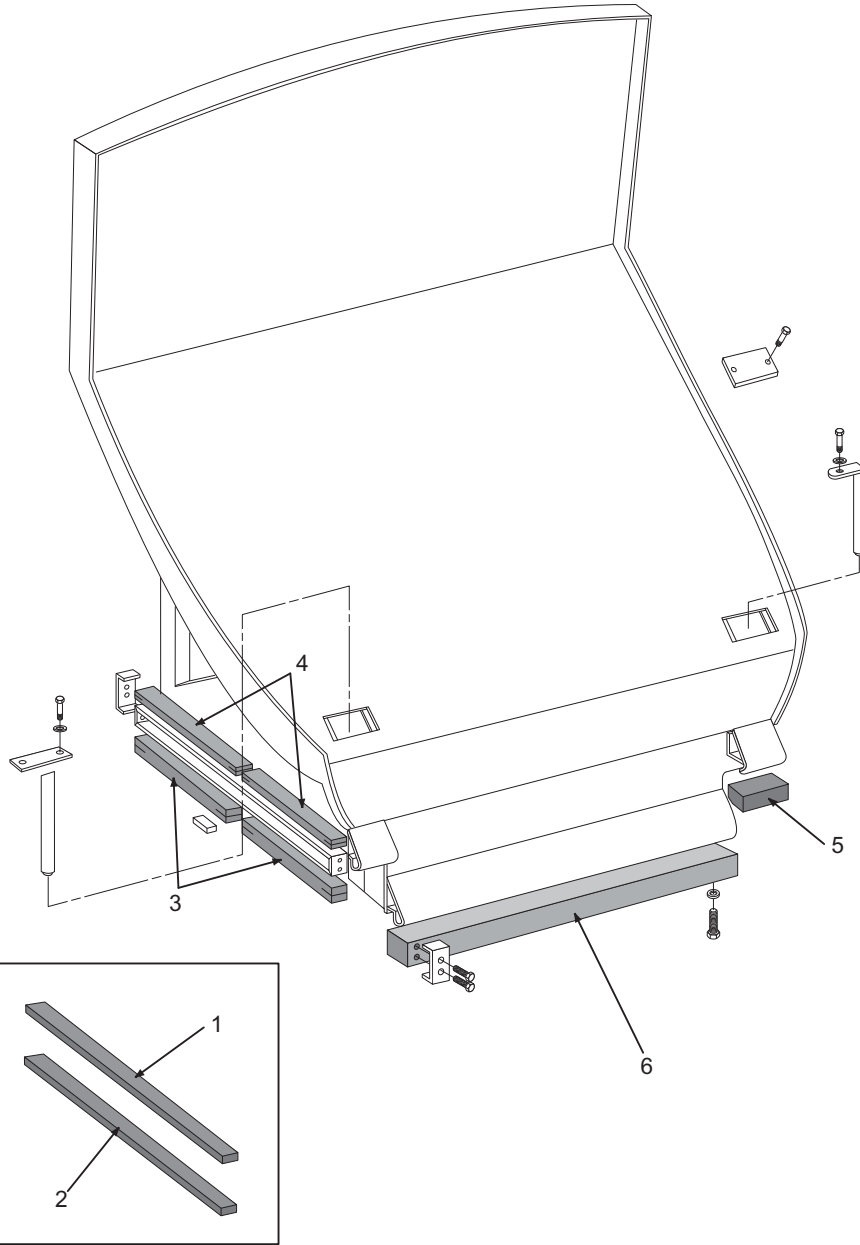
Leach® Hydraulic Reservoir



Item	Description	OEM P/N	MTM P/N
1	10" Site Gauge	M-41752	9830.623627
2	Gasket	M-300055	9840.623696
3	Adapter Gasket	M-302179	9840.623910
4	Filter Gasket - 2RII	M-204122	9840.623690
	Filter Gasket - Beta	M-102358	
5	Breather Filter Assembly	M-100418	1108401
	Breather Filter Cap	M-101348	9857.624013
	Breather Filter w/ Flange		9857.623454
6	Filter Element (10 Micron) - 2RII	M-106418	9830.620557
	Filter Element (3 Micron) - 2RII	M-107406	1108779
	Filter Element (10 Micron) - Beta	M-100057	9830.623490
7	Filter O-ring - 2RII	M-17533	1146932
	Filter O-ring - Beta	M-102677	
8	Oil Strainer	M-41753	9830.623566
9	2" Gate Valve	M-LF-1242	9670.602721

LEACH®

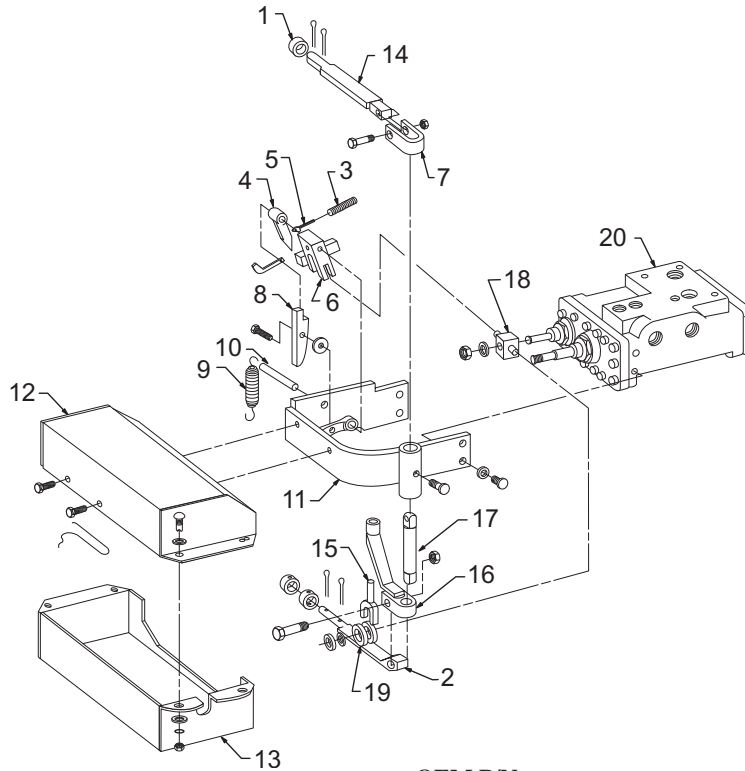
Leach® FL Ejector Shoes



LEACH®

Item	Description	OEM P/N	MTM P/N
1	Upper Wear Shoe (FL104 Up To SN 1321)	M-208143	1144361
2	Lower Wear Shoe (FL104 Up To SN 1321)	M-208011	1144362
3	Lower Wear Shoe	M-208714	1146936
		M-208715	
		M-210993	
		M-210994	
4	Upper Wear Shoe	M-209399	1147733
5	Floor Wear Block	M-306604	1109378
6	Trough Wear Block	M-306594	1109377

Leach® Bridge Assembly



Item	Description	OEM P/N	MTM P/N#
1	Roller	M-19309	9890.623284
2	Double Roller Arm	M-19714	9899.623348
3	Spring	M-196	9870.623111
4	Finger	M-19311	9899.623345
5	Spring Pin	M-19312	9887.623226
6	Reversing Yoke	M-19532	9876.623148
7	Bottom Roller Arm Yoke	M-19277	9899.623342
8	Knockout Finger	M-19317	9899.623347
9	Spring	M-193	9870.623110
10	Yoke Pin	M-19313	9887.623227
11	Valve Control Cam	M-19531-102	9889.623262
12	Lower Hood	M-17950	9880.623561
13	Top Hood	M-17942	9880.623560
14	Single Roller Arm	M-19713	9899.623349
15	Fork	M-19315	9899.623346
16	Top Roller Arm Fork	M-19279	9899.623344
17	Roller Arm Yoke Pin	M-19278	9887.623225
18	Pivot Block	M-19314	9880.623731
19	Collar	M-19316	9880.623732
20	Main Operating Valve Assembly	2R-1696	0623477
	Operating Valve Gasket	M-991	9858.623035
	Operating Valve Gasket	M-990	9858.623034
	Reversing Spring	M-101335	9870.623103
	Knockout Spring	M-101334	9870.623102

LEACH®

Leach® Miscellaneous Parts



Leach® 90 Degree Whisker Switch
M-100327
9871.623114
Leach® 180 Degree Whisker Switch
M-100327
1130495



Leach® Prox Sensor - N/C
M-605630
1141083



Leach® Prox Sensor - N/O
M-605629
1141084



Leach® Speed Up Switch
M-16157
9871.623117



Leach® Prox Switch
M-602388
1138710



Leach® Directional Air Valve
M-102655
9870.623596



Leach® Body Hold Down Spring
2" X 4"
M-16107
9870.623105



Leach® Clamp Spring
M-PO-529
9810.623534



Leach® 12V Solenoid
M-SK-2308
9877.623429

Leach® Pushout Spring (2RII)
1 1/2" X 6"
M-16106
9870.623104

Leach® Pushout Spring (Beta)
1 1/2" X 4"
M-100080
9870.623396

2RII Main Relief Cartridge
No picture available
M-9400-10



Leach® Bare Limit Switch
M-15752
1156775

LEACH®

Leach® Miscellaneous Parts



Standard Joystick
M-204186
 1130005



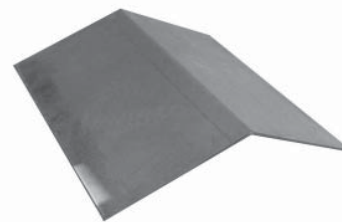
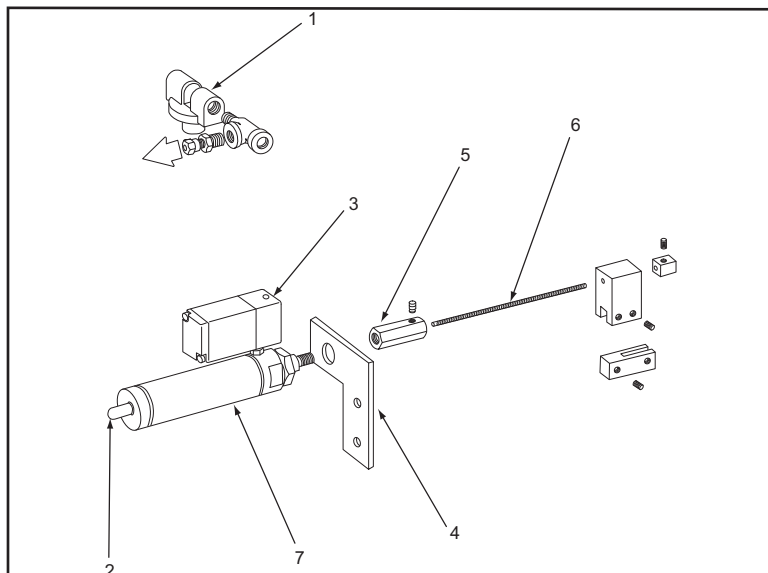
Leach® Linkage Control Bushing
M-36662
 9853.623027



Operating Cylinder Tube Rest
 4" X 1 3/4" X 1 1/4"
M-207928
 1137314



2RII Tailgate Controls Bell Crank
 Bushing
 1" OD X 3/4" ID X 1/2" H
M-200950
 1146934

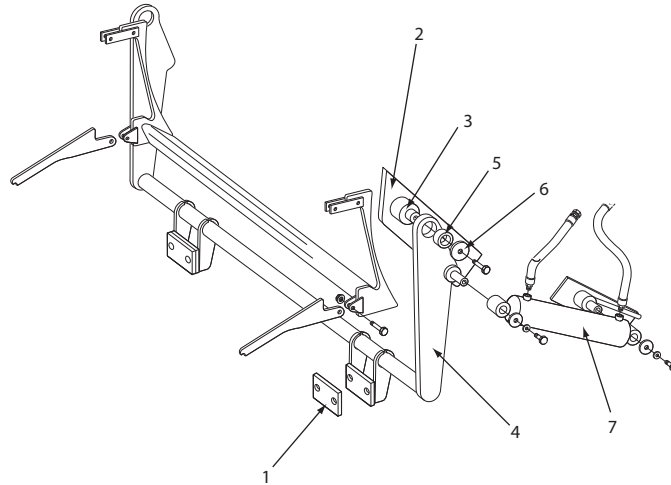


2RII Shelf Liner
 1/4" X 12" Face X 24 1/8" Wide
 1108024

Item	Description	OEM P/N	MTM P/N
1	Pressure Protection Valve	M-30138	1109253
2	Muffler	M-39996	9899.623390
3	Solenoid Valve	M-102655	9870.623596
4	Bracket	M-18965	1140569
5	Coupler	M-18964	9863.623058
6	Speed Up Cable	M-SK-1733-10	9850.6231063
7	Air Cylinder	M-102654	1105901
	Air Cylinder (Not Shown)	M-18963	9872.623122
8	Valve Solenoid (Not Shown)	M-16667	9877.622108

LEACH®

Leach® Miscellaneous Parts



Item	Description	OEM P/N	MTM P/N
1	Lift Shoe	M-15558	9891.623306
2	Lift Pivot Base	M-201485	1226372
3	Lift Pivot	M-16079	1226374
4	Push Arm	M-15003	1226373
5	Plastic Bearing Strip	M-15269	1226375
6	Bearing Cover	M-15268	1226376
7	Container Lift Cylinder	M-401207	9870.6231001
	Container Lift Cylinder	M-605250	1109616

MTM P/N	OEM P/N	Description
1109335	M-PO-227	Tailgate Hopper Stiffener
1108421	M-300597	Ejector Wear Shoe Bracket
1141144	M-306355	Cross Channel Gusset
1141884	M-204947	Inner Hub Collar
1143785	M-400298	Floor Brace
1146794	M-102209	Valve Seal Kit
9810.623681	M-39644	Spacer
9830.623756	M-100942	Filter Element
9850.623900	M-301451	7 3/4" Sheave
9851.623002	M-PO-451	Half Bearing
209869.623431	M-SR-7145	Main Operating Valve Seal Kit
9885.623195	M-PO-1905	Lower Clamp Weldment
9885.623194	M-PO-1904	Upper Clamp Weldment
1109257	M-107818	Whisker Trigger Switch
9880.620516	M-201135	Sub Frame Wood Block
9891.623289	M-PO-1402	Shoe Mount
1109164	M-100878	Journal Bearing Kit
9899.623390	M-39996	Muffler

LEACH®

Leach® Miscellaneous Parts

9870.620519	M-204071	Front Mount Pump - 2RII
9870.620497	M-203834	Front Mount Pump - Beta
1359467	M-700098	3 Section V40 Valve

Leach®	McNeilus Replacement	Element Description
M-106418	9830.620557	10 Micron Synthetic - Buna
M-41753	9830.623566	Hydraulic Suction Strainer
M-15801	9857.623031	Hydraulic Suction Strainer
M-100418	9857.623455	Breather w/ Strainer
M-101348	9857.623454	Breather w/ Flange
M-40261	1106849	Breather w/ 3/4" Nipple
933117Q	1107477	25 Micron Synthetic - Buna
930119Q	1108130	25 Micron Synthetic - Buna
923694Q or 729812	1108236	10 Micron Synthetic - Buna
932692Q	1108778	3 Micron Synthetic - Buna
M-107406	1108779	3 Micron Synthetic - Buna
M-101730	1130277	5 Micron Synthetic - Buna
M-100057	9830.623490	Cartridge Hydraulic Element (Paper)
M-601294	1108718	10 Micron Synthetic

Leach® P/N	MTM P/N	Description
M-200868	9872.623427	5 Stage Ejector Cylinder - Beta
M-201500	9872.623428	25YD Ejector Cylinder - Beta
M-209785	9830.620243	20YD Tele Cylinder - 2RII
M-209786	1109318	25YD Tele Cylinder - 2RII
M-209787	1109314	31YD Tele Cylinder - 2RII
M-210629	1109608	Tailgate Cylinder - Beta
M-210630-05	1221388	25 YD Tele Cylinder
M-210658	1109613	Packer Cylinder
M-210659	1109615	Slide Cylinder
M-210847	1144302	33YD Tele Cylinder - 2RII
M-304120	9870.623556	2R Clamp Cylinder
M-305688	1109305	FL104 Tele Cylinder
M-306562	1108973	2RII Universal Operating Cylinder
M-307081	1108973	2RII Universal Operating Cylinder
M-307082	9830.620509	2RII Tag Operating Cylinder
M-39726	9872.623445	31YD Tele Cylinder - 2RII/2R
M-405964	1109609	Container Dump Cylinder
M-406368	9870.623499	2RII Pushout Cylinder
M-406369	9870.623999	2RII Tailgate Cylinder



Leach® Miscellaneous Parts

M-406370	9872.623473	2RII Clamp Cylinder
M-406577	9810.62104	Leach Beta Slide Cylinder
M-406578	9870.620505	Beta Sweep Cylinder
M-406579	1109611	Tailgate Cylinder - Beta
M-406580	9870.623976	Beta Clamp Cylinder
M-406582	9870.623992	2RII Reeving Cylinder
M-41296	9872.623446	25YD Tele Cylinder - 2RII/2R
M-41297	9872.623447	20YD Tele Cylinder - 2RII/2R
M-601366	1109614	Packer Cylinder
M-601429	1109612	2RII Tailgate Cylinder
M-605250	1109616	Container Dump Cylinder
M-701237	9872.627007	Packer Cylinder
M-701478	1136622	25 YD Ejector Cylinder

Leach® Plastics



Leach® Linkage Control Bushing

M-36662

9853.623027

LEACH®

Leach® Miscellaneous Parts

Leach® Springs



Leach® Body Hold Down Spring
2" X 4"

M-16107

9870.623105

Leach® Pushout Spring (2RII)

1 1/2" X 6"

M-16106

9870.623104

Leach® Pushout Spring (Beta)

1 1/2" X 4"

M-100080

9870.623396



Leach® Kickout Spring

1 1/8" X 7 5/8"

M-101334

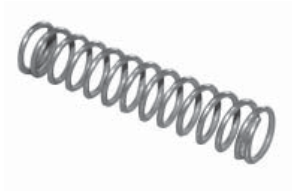
9870.623102

Leach® Reversing Spring

1 1/16" X 9"

M-101335

9870.623103



Leach® Throttle Advance Spring

M-196

9870.623111



Leach® Hose Spring

M-39020

9870.623112



Leach® Clamp Spring

M-PO-529

9810.623534

Leach® & Wittke® Seals



Heavy Duty Seal - 3/8" Thick

16.5' long - 9869.623758

M-601675

M-713217

M-400-2-0051

14.5' long - 9869.623088

HD of std Leach seal

M-10072HD

Leach® Liners

Leach® Floor Troughs

25Yd Trough

M-400294

1108796

31Yd Trough

M-406399

11808979

LEACH®

1-877-722-5686 Direct Line

www.streetsmartparts.com

LEACH®