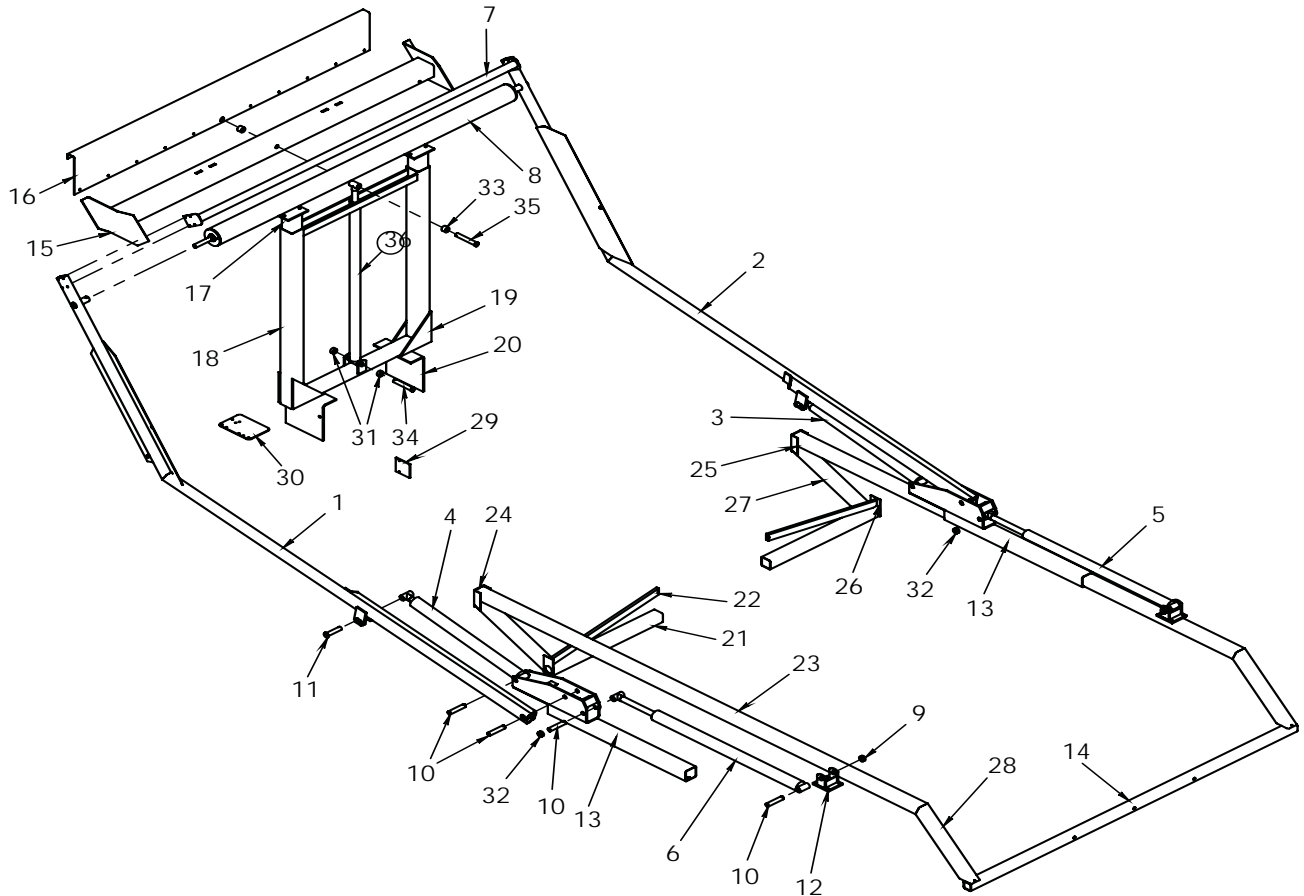


K-Pac Tarper



Item	Description	OEM P/N	MTM P/N
1	Arm Weldment Left	M-9210-6-0	1272344
2	Arm Weldment Right	M-9210-7-0	1272346
3	Cylinder, 2 1/2 X 30" Arm Rotate (Right)	M-21-178	1416739
4	Cylinder, 3 X 30" Arm Rotate (Left)	M-21-179	1416738
5	Cylinder, 2 1/2 X 42" Slide Pivot (Right)	M-21-1015	1326421
6	Cylinder, 3 X 42" Slide Pivot (Left)	M-21-1016	1326420
7	Torsion Stabilizer Bar Weldment	M-9210-45-0	1272368
8	Roller Assembly (Steel) (Ser#4200-Present)	M-9210-9-0B	1257312
	Roller Assembly (Steel) (Ser#1001-2999)	M-9210-9-0A	1257312
	Roller Assembly (Aluminum) (Ser#3000-4199)	M-9210-40-0	1257311
9	Pin Lock Collar	M-9210-0-2	1272325
10	Locking Pin For Slide Cylinder/Arm Pivot	M-9210-0-1	1272324
11	Cylinder Pin Weldment	M-9210-24-0	1272335
12	Cylinder Lug Weldment	M-9210-21-0A	1272364
13	Pivot Base Weldment	M-9210-5-0	1272037
14	Rear Cross Tube	M-9210-15-7	1272326
15	Gantry Top Rack Weldment	M-9210-13-0	1272374

K-PAC

K-Pac Tarper

Item	Description	OEM P/N	MTM P/N
16	Gantry Rear Tarp Guard	M-9210-14-1	1272363
17	Gantry Slide Tube Weldment	M-9210-44-0	1272356
18	Gantry Weldment	M-9210-12-0A	1272359
19	Gantry Gusset	M-9210-15-12	1272331
20	Gantry Chassis Frame Bracket	M-9210-15-22	1272338
21	Front Fender Mounting Tube	M-9210-15-1A	1272319
22	Front Gusset Strap	M-9210-0-6	1272323
23	Slide Mounting Tube	M-9210-15-25	1272334
24	Slide Mounting Tube End Cap	M-9210-15-14A	1272336
25	Side Reinforcement Plate	M-9210-0-8	1272330
26	End Cap With Hole For Light	M-9210-15-29	1272343
27	Front Slide Tube Gusset	M-9210-0-4	1272333
28	Back Slide Support Tube	M-9210-15-5	1272322
29	Priority Flow Divider Mount Plate	M-9210-15-18	1272332
30	Valve Mounting Plate	M-9210-0-3A	1272340
31	Cylinder Spacer 5/8 Wide	M-9210-15-9	1272329
32	Cylinder Spacer 3/4 Wide	M-9210-15-10	1272328
33	Cylinder Spacer 1 1/8 Wide	M-9210-15-8	1272327
34	Cylinder Pin 1 X 5 1/2	M-60-230	1272372
35	Cylinder Pin 1 X 6	M-60-226	1272373
36	Gantry Lift Cylinder	M-23-502	1416740

K-PAC