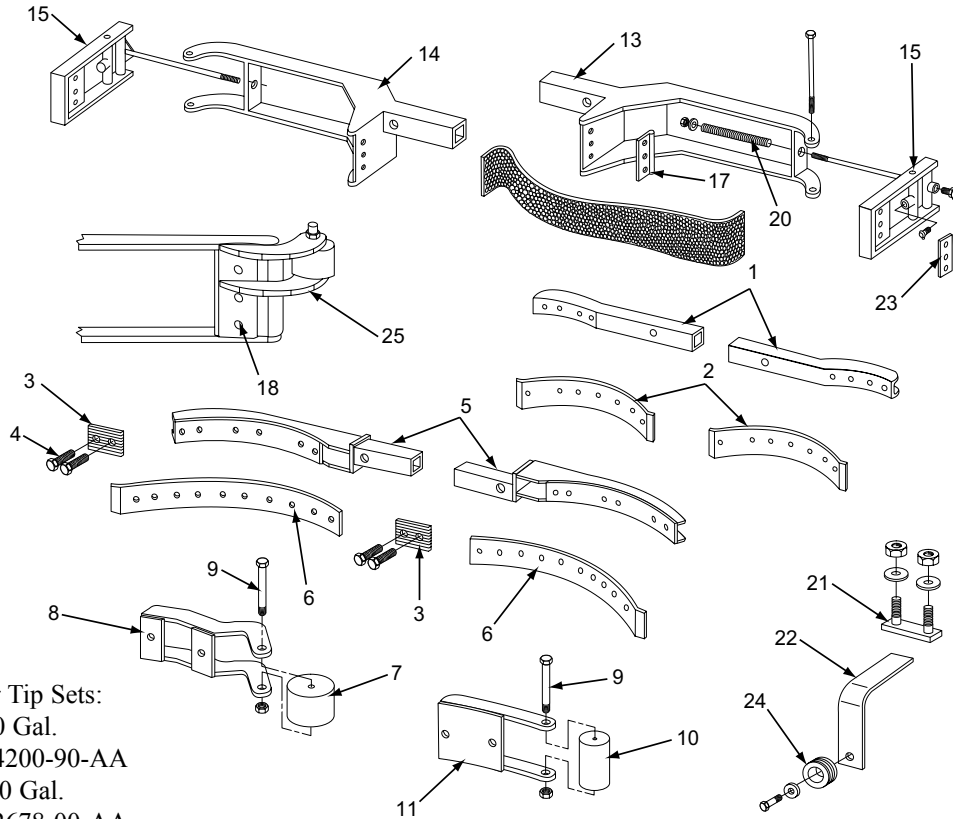
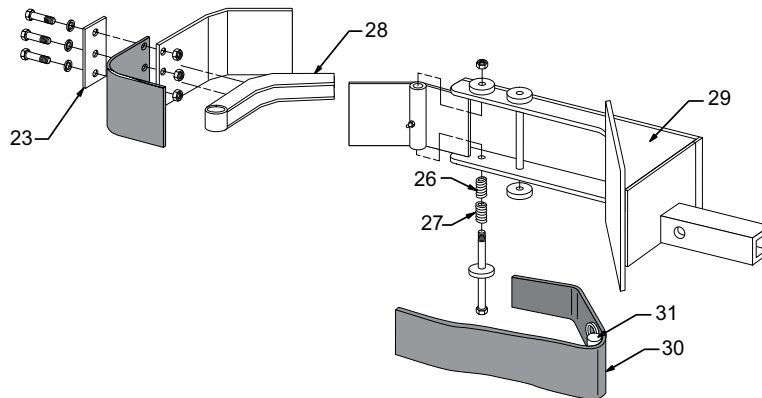


Wayne® Grippers



Roller Tip Sets:
 90 Gal.
 M-00-24200-90-AA
 300 Gal.
 M-00-32678-00-AA



Item	Description	OEM P/N	MTM P/N
1	Residential Grip Arm Weldment	M-00-21221-00-AB	1147397
2	Residential Gripper Pad Bracket - 90 Gal	M-00-11937-00-WC	1147289
3	Grip Pad	M-00-11407-02-WB	1106173
4	3/8"-16 X 1" Bolt	M-415-006-016	020.100055
	3/8" Flat Washer	M-485-006-001	020.100561
	3/8"-16 Lock Nut	M-445-006-002	020.120177
5	Commercial Grip Arm Weldment	M-00-24078-00-AD	1147618
6	Commercial Gripper Pad Bracket - 300 Gal	M-00-11936-00-WD	1147403
7	Commercial Roller	M-00-24879-00-WA	1147130

WAYNE®

Wayne® Grippers

Item	Description	OEM P/N	MTM P/N
8	Commercial Roller Weldment	M-00-25343-00-AA	1147267
9	1/2"-13 X 3" Bolt	M-415-008-056	020.05260
	1/2"-13 Lock Nut	M-445-008-009	020.05340
10	Residential Roller	M-00-20409-00-WA	1147244
11	Residential Roller Weldment	M-00-20713-00-AA	1147909
12	1/2"-13 X 4" Bolt	M-415-008-004	020.120004.4000
	1/2"-13 Lock Nut	M-445-008-009	020.05340
13	Belt Gripper Arm Weldment - Rear	M-00-24863-02-AB	1147405
14	Belt Gripper Arm Weldment - Front	M-00-24863-01-AB	1147404
15	Roller Lever Assembly	M-00-27508-00-AB	1147270
16	Gripper Belt	M-00-24409-01-WA	1147481
17	Belt Clamp Assembly	M-00-25353-00-AA	1147284
18	3/8"-16 X 1 1/4" Bolt	M-415-006-024	020.100056.1250
	3/8" Lock Washer	M-440-029-000	9810.621024
	3/8" Hex Nut	M-445-006-001	020.120252
19	1/8" Grease Fitting	M-400-042-000	020.82208
20	Spring	M-600-016-001	1147173
21	Strap Clamping	M-00-26134-00-AA	1147287
22	Strap Mounting	M-00-26132-00-OA	1147283
23	Strap Clamp Plate	M-00-24875-00-OA	1147282
24	Bumper	M-400-009-000	120.120504
25	Belt Grip Roller Bracket	M-00-27876-00-AB	1147265
26	Torsion Spring - Red	M-00-32068-02-OA	1147441
27	Torsion Spring - Blue	M-00-32068-01-OA	1147440
28	Front Lever Weldment	M-00-32340-00-AB	1147564
29	Front Gripper Support Weldment	M-00-32075-01-AB	1147415
30	Gripper Belt	M-00-24409-02-OA	1147481
31	Strap Clamp Weldment	M-00-32559-00-AA	1147412



Wayne® Residential Grip Arm
Weldment
M-00-21221-00AB
1147397



Wayne® Gripper Arm Weldment -
Front
M-00-24863-01-AB
1147404

Wayne® Gripper Arm Weldment
- Rear
M-0024863-02-AB
1147405



Wayne® Front Lever Weldment
M-00-32340-00-AB
1147564

WAYNE®

Wayne® Gripper Arm Support Assembly

Pieces listed on this page are in reference to the old style arm shown in the picture. Parts for N/S arm available upon request.

Item	Description	OEM P/N	MTM P/N
1	Arm Support Weldment	M-00-32162-01-AB	1406859
2	1 1/4" Nylock Nut	M-445-020-004	1148907
3	1 3/8" Id X 2 1/2" Od Washer	M-485-018-000	1148908
4	1/4" Straight Grease Fitting	M-400-041-000	040.115165
5	2" Id X 3" Od Washer	M-440-027-000	1147365
6	Spring Bushing	M-107-032-024	020.122000.2614
7	2" Spherical Bearing - Sealed	M-130-004-000	1142323
8	Dump Arm Pivot Pin	M-00-13891-00-OA	1147368
9	2" External Snap Ring - 1/8"	M-470-045-000	1147369
10	Dump Cylinder Pin	M-00-12792-00-OA	1147370
11	1 1/4" External Snap Ring	M-470-020-000	020.120240.1250
12	Front Pivot Gear Assembly - Mounting Pin	M-00-21348-00-AC	1147375
13	Rear Pivot Gear Assembly	M-00-21349-00-AC	1147376
14	Hitch Pin 3/4" X 4"	M-420-012-076	1147377
15	Pivot Shaft Seal	M-537-040-052	1147378
16	Pivot Shaft Bearing Cone	M-109-032-000	1147379
17	Pivot Shaft Bearing Cup	M-108-052-000	1147380
18	Pivot Bearing Housing - Eccentric	M-00-20336-00-OB	1147381
19	Bearing Collar	M-00-20385-00-OA	1147383
20	1 1/2" Castle Nut	M-445-024-009	1147384
21	Bearing Cover	M-00-24975-00-AA	1147385
22	Adjusting Ring	M-00-25058-00-OA	1147386
23	Spacer	M-00-21454-02-OA	1147387
24	Spring Bushing	M-107-020-016	080.122000.1110
25	1 1/2" Id X 2 1/4" Od Washer	M-440-024-000	1147389
26	Adjusting Ring Spacer	M-00-25059-00-OA	1147390
27	1 1/4"-7 X 8" Cap Screw	M-415-020-128	1140098
28	1/4" X 2" Cotter Pin	M-485-008-053	020.115160.2000
29	3/8"-16 X 3" Cap Screw	M-415-006-048	020.120027.3000
30	Grip Cylinder	M-00-23137-04-WB	1145911
31	Lift Arm Assembly	M-00-27243-00-AB	1147391



Wayne® Arm Dump Valve
M-00-27141-06-WA
 1147704



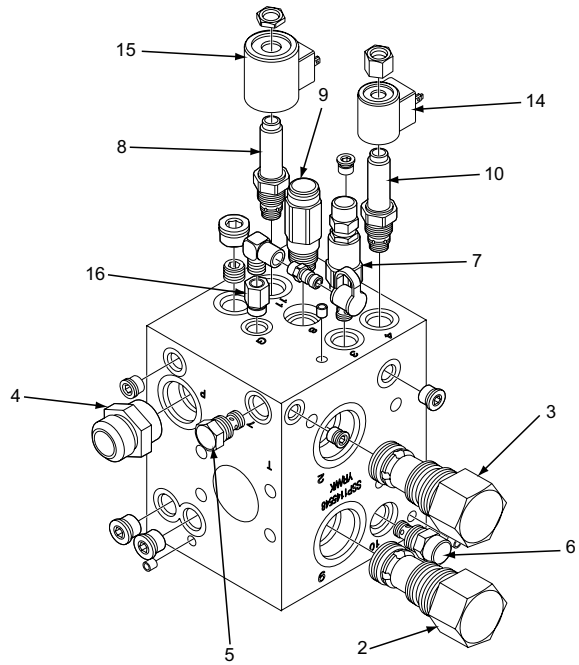
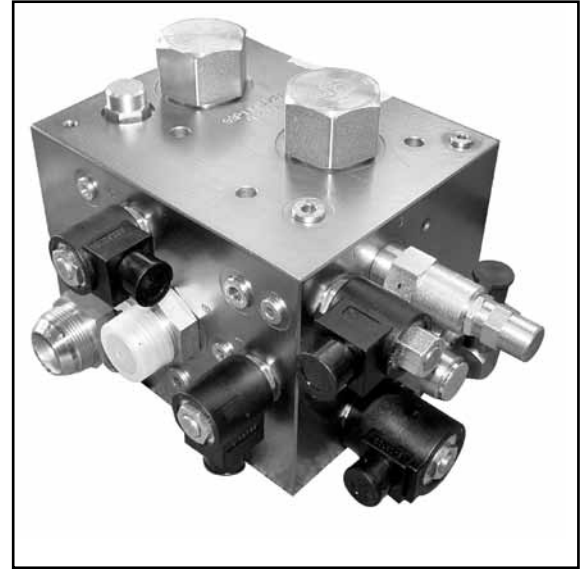
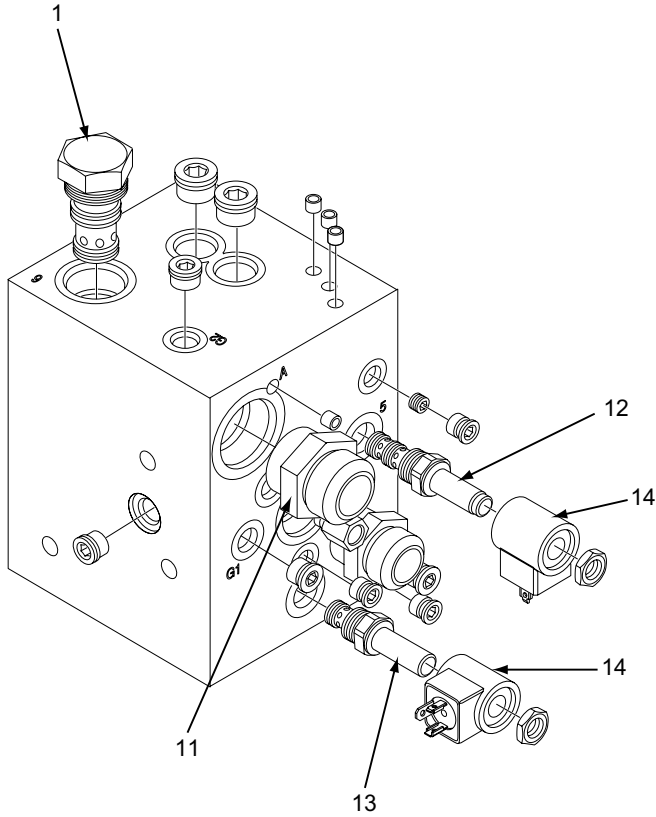
Wayne® Packer Dump Valve
M-00-27141-05-WA
 1147705



Wayne® Guide Wheel
M-30408-00-WA
 1139337

WAYNE®

Wayne® Packer Manifold



WAYNE®

Wayne® Packer Manifold

Item	Description	OEM P/N	MTM P/N
	Packer Manifold	M-00-25632-30-WA	1145548
	Mounting Kit		1149638
	Complete Manifold Seal Kit		1149722
1	Cartridge	M-545-012-003	1148518
	Seal Kit	M-545-012-104	1149620
2	Cartridge	M-545-012-011	1148519
	Seal Kit	M-545-012-102	1149619
3	Cartridge	M-545-012-009	1148520
	Seal Kit	M-545-012-102	1149619
4	Adapter	M-841-016-016	202702 16 16
5	Check Valve	M-545-006-009	1148521
	Seal Kit	M-545-012-101	1149624
6	Flow Regulator		1149639
	Seal Kit		1149625
7	Relief Cartridge	M-545-027-011	1148522
	Seal Kit	M-545-012-101	1149624
8	Retract Cartridge	M-545-123-023	1148523
	Seal Kit		1149621
9	Relief Cartridge	M-545-027-017	1148524
	Seal Kit		1149622
10	Dump Cartridge	M-545-123-017	1148525
	Seal Kit	M-545-012-101	1149624
11	Fitting Adapter	M-841-020-020	202702 20 20
12	Extend Cartridge	M-545-009-005	1148526
	Seal Kit		1149623
13	Pack/regen Cartridge	M-545-123-022	1148527
	Seal Kit	M-545-012-101	1149624
14	12V Coil W/ Din Connector - Small	M-549-008-003	1148528
	10V Coil W/ Din Connector - Small	M-549-008-013	1177838
15	12V Coil W/ Din Connector - Large	M-549-010-003	1148529
	10V Coil W/ Din Connector - Large	M-9549-010-013	1177839
16	Male O-ring Boss To Female Pipe Connector	M-815-006-004	2216 4 6S
	Male Pipe To Female Pipe 90 Connector	M-813-00-3001	2089 4 4S
17	Din Connector	M-310-030-004	1148530
18	#8 Jig Cap		210292 8S
19	#16 Tube Assembly		1149640
20	#6 SAE Plug		180.127044
21	1/4" Id X 1 1/4" Od Washer		1149641
22	3/8-16 X 7" Bolt		1149642
23	3/8" Lock Washer		9810.621024
24	3/8" Hex Nut		9810.62114
25	1/4"-20 X 1 1/2" Bolt		020.120000.1500

Wayne® Miscellaneous Parts

Wayne®	McNeilus Replacement	Element Description
ABF-3/10-F	9857.623454	Breather w/ Flange
Wix, UCC, Donaldson, or Lenz Hyd. Air Breather	9857.623454	Breather w/ Flange
Wayne® P/N	MTM P/N	Description
M-00-23137-07-AB	1145911	Grip Cylinder
M-00-23144-06-AB	1145912	In/Out Cylinder
M-00-23150-04-AB	1145913	Dump Cylinder
M-00-23157-06-WB	1145914	Lift Arm Cylinder
M-00-24210-02-WB	1145915	Tailgate Cylinder
M-00-29781-05-WB	1149971	24 YD Packer Cylinder
M-00-29781-71-AB	1149969	31 YD Packer Cylinder
M-00-29781-72-WB	1149972	22 YD Packer Cylinder
M-00-29781-73-AB	1149970	27 YD Packer Cylinder
M-00-29781-74-AB	1149973	20 YD Packer Cylinder
M-510-011-016	1105523	Filter Element, 10 MIC in tank

Wayne® Springs

Wayne® Rubber Products



Wayne® Curbtender Residential Gripper Belt
6" X 56"
M-00-24409-01-WA
1147481



Wayne® Curbtender Roller Lever Spring
M-600-016-001
1147173



Wayne® Curbtender Torsion Spring - LH
M-00-32068-01-OA
1147440
Wayne® Curbtender Torsion Spring - RH
M-00-32068-02-OA
1147441