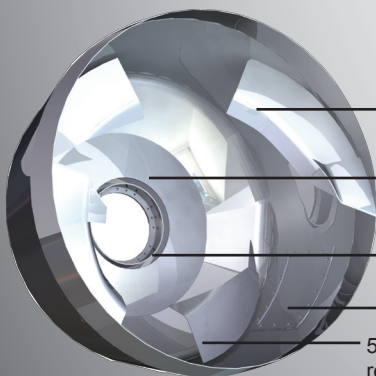


THE DIFFERENCE IS WITHIN! DEMAND MORE FROM YOUR DRUM.

**LEGENDARY
QUALITY
AND
PERFORMANCE**



**MANY OPTIONS
AVAILABLE
FOR ALL MAKES
AND MODELS**



- 1/4" or .210 AR200 abrasion resistant fins up to tail of drum
- 1/4" high strength double reinforced spun head section
- Sealed direct drive socket to eliminate cementitious material build up
- One or two bolt on hatches
- 5/16" or 1/4" AR200 abrasion resistant mixing fins in head and mixing sections of drum

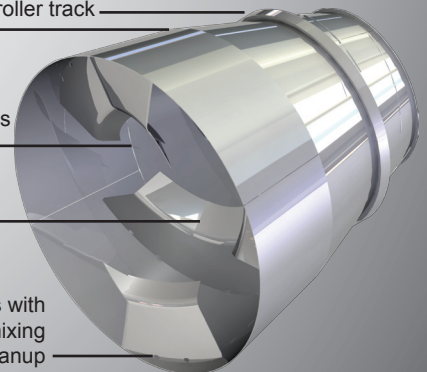
One piece machined roller track

Automated submerged arc welding of outside seams

1/4" or 3/16" AR200 abrasion resistant drum shell with all seams solid welded inside and out

Double row of high carbon wear rods on fin lips

One piece pressed blades with weep holes for quality mixing and easier cleanup



ONE NUMBER. ONE CALL. ONE SOLUTION

1-888-686-7278 · 1-888-MTM-PART