



TABLE OF CONTENTS

ILLUSTRATIONS and PARTS LISTS

How To Use.....	1
Tap-In Kits	2
Single Tap-In Kit Illustration.....	2
Single Tap-In Kit Parts List	3
Dual Tap-In Kit Illustration	4
Dual Tap-In Kit Parts List.....	5
Diverter Valves	6
Current Production	6
Single Diverter Valve Assembly (JEM050601-B) Illustration	6
Single Diverter Valve Assembly (JEM050601-B) Parts List.....	7
Dual Diverter Valve Assembly (JEM050601-A) Illustration	8
Dual Diverter Valve Assembly (JEM050601-A) Parts List	9
Obsolete	10
Single Diverter Valve Assembly (JEM030526-A) Illustration	10
Single Diverter Valve Assembly (JEM030526-A) Parts List.....	11
Dual Diverter Valve Assembly (JEM030526-B) Illustration	12
Dual Diverter Valve Assembly (JEM030526-B) Parts List	13
Carry Can Manifolds.....	14
Current Production	14
Carry Can Manifold Assembly (JEM051215-B) Illustration	14
Carry Can Manifold Assembly (JEM051215-B) Parts List	15
Obsolete	16
Carry Can Manifold Assembly (JEM051215-A) Illustration	16
Carry Can Manifold Assembly (JEM051215-A) Parts List	17

SSP MANIFOLDS



TABLE OF CONTENTS

Carry Can Hydraulic and Electrical Installations	18
Bayne BTL 1110, 1112 and 1114.....	18
Side Mount - RH Curbside (1324704) Illustration.....	18
Side Mount - RH Curbside (1324704) Parts List	19
Side Mount - LH Street Side (1325092) Illustration	20
Side Mount - LH Street Side (1325092) Parts List	21
Corner Mount - RH Curbside (1325093) Illustration	22
Corner Mount - RH Curbside (1325093) Parts List	23
Corner Mount - LH Street Side (1325091) Illustration	24
Corner Mount - LH Street Side (1325091) Parts List.....	25
Front Mount - RH Curbside (1325090) Illustration.....	26
Front Mount - RH Curbside (1325090) Parts List	27
Front Mount - LH Streetside (1325089) Illustration	28
Front Mount - LH Streetside (1325089) Parts List.....	29
Perkins D6070,D6071,D6226 and McNeilus SSPIV	30
Side Mount - RH Curbside (1273066) Illustration.....	30
Side Mount - RH Curbside (1273066) Parts List	31
Side Mount - LH Street Side (1273067) Illustration	32
Side Mount - LH Street Side (1273067) Parts List	33
Corner Mount - RH Curbside (1273091) Illustration	34
Corner Mount - RH Curbside (1273091) Parts List	35
Corner Mount - LH Street Side (1273109) Illustration	36
Corner Mount - LH Street Side (1273109) Parts List.....	37
Front Mount - RH Curbside (1273117) Illustration.....	38
Front Mount - RH Curbside (1273117) Parts List	39
Front Mount - LH Streetside (1273122) Illustration	40
Front Mount - LH Streetside (1273122) Parts List.....	41
McNeilus SSP III.....	42
Corner Tuckaway - RH Curbside (1324703) Illustration.....	42
Corner Tuckaway - RH Curbside (1324703) Parts List	43
Corner Tuckaway - LH Street Side (1324702) Illustration	44
Corner Tuckaway - LH Street Side (1324702) Parts List	45



SSP MANIFOLDS

ILLUSTRATIONS and PARTS LISTS

How To Use

The pages are arranged so that the illustration and the parts list are on facing pages. The pages are prioritized in order with the assembly first followed by the serviceable components.

ITEM	Description	Footnote	Qty.	MTM Part No.
	SSP Cart Tipper Assembly		1	1325031
1	1/2-13 UNC x 1.25 BHCS, ZP	F1	2	1332139
2	Torque Arm Retainer		2	1331920
3	Torque Arm Weldment		2	1339155
4	1/4-28 UNF x 0.38 Set Screw		2	1328563
5	Master Cylinder Assembly			1334084
	Master Cylinder Rod Assembly (Includes Items 2, 5, 6 and 9)		1	1332056
2	Rod End Mount		1	NSS
5	Cylinder Rod		2	NSS
6	Cam Roller, 1" OD		1	NSS
9	Dowel Pin, 5/16" x 1-1/4"		1	NSS
F1	Apply loctite grade 271 or equivalent and torque to 65-75 ft-lb (780-840 in-lb)			

Figure 1

- ITEM:** Refers to callout and leader on corresponding illustration.
- Description:** Provides a description of item to identify size, type or application. The description is indented (**Figure 1, 6**) to indicate when the component is part of an assembly.
- Footnote:** A footnote is used when specific information is required for that item. A footnote is indicated by an "F" accompanied by a number such as F1 (**Figure 1, 7**). Additional sequential numbers are used when more than one footnote is used on the page.
- Qty:** Quantity of the part in the assembly.
- MTM Part No.:** The McNeilus® part number to use when ordering replacement parts. When a component part is not available, an NSS is used to indicate that the part is Not Serviced Separately.

SSP MANIFOLDS

ILLUSTRATIONS and PARTS LISTS

Tap-In Kits

Single Tap-In Kit Illustration





SSP MANIFOLDS

ILLUSTRATIONS and PARTS LISTS

Single Tap-In Kit Parts List

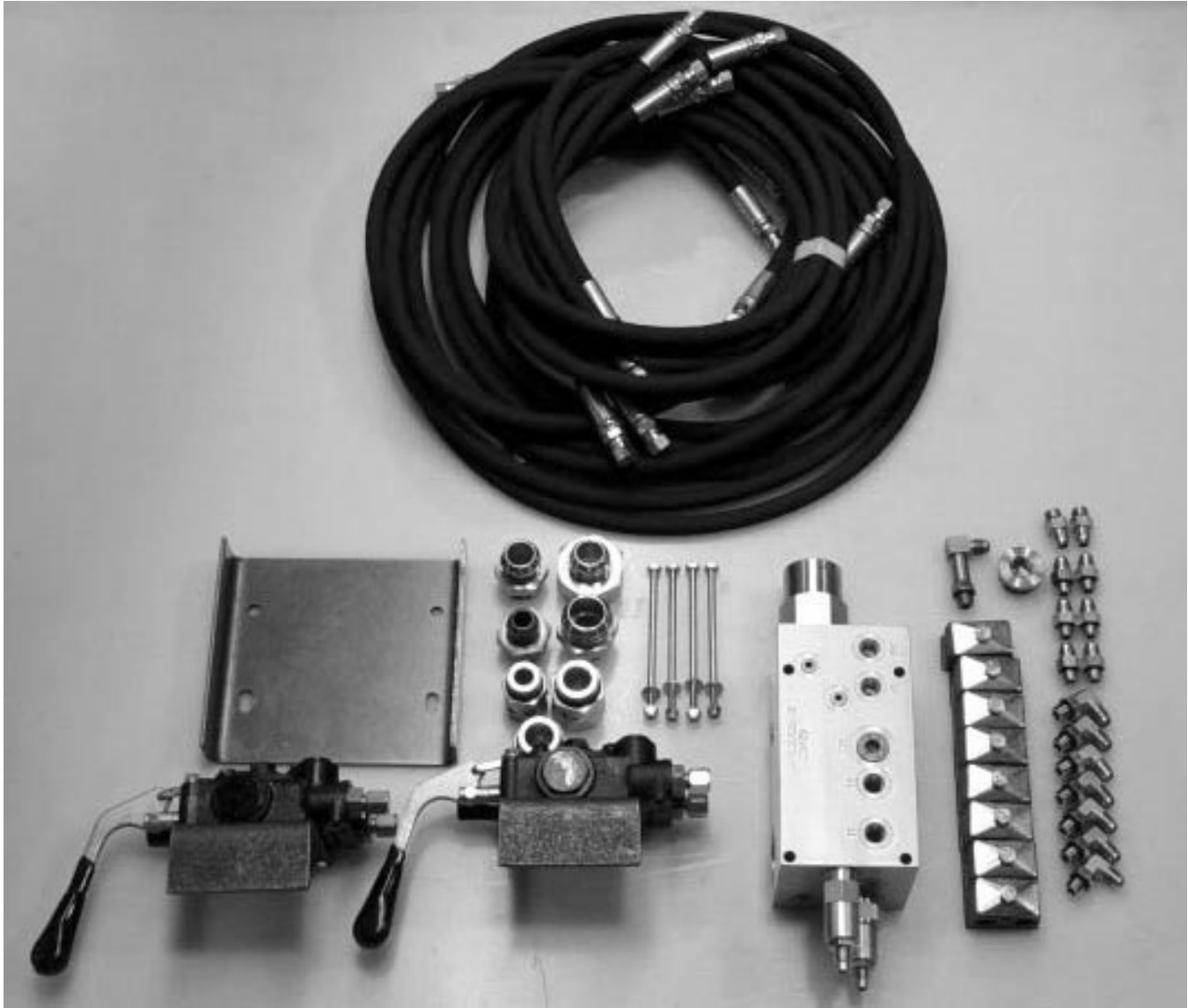
ITEM	Description	Footnote	Qty.	MTM Part No.
	Single Tap-In Kit		1	1141074
1	Diverter Valve Assembly		1	1149264
2	Control Valve, Subassembly		1	SA10019
3	Adapter, 90° Long, #6 MBOSS - #6 MJIC		4	FT10064-06-06
4	Adapter, Straight, #6 MBOSS - #6 MJIC		4	FT10063-06-06
5	Adapter, Straight, #16 MBOSS - #16 MJIC		1	FT10063-16-16
6	Adapter, Straight, #16 MBOSS - #20 MJIC		1	FT10063-20-16
7	Adapter, Straight, #16 MBOSS - #12 MJIC		1	FT10063-12-16
8	Adapter, Straight, #16 MBOSS - #16 FJIC		1	FT10068-16-16
9	Adapter, Straight, #12 MBOSS - #12 FJIC		1	FT10068-12-12
10	Reducer, #20 FJIC - #16 MJIC		1	FT10069-20-16
11	Reducer, #16 MBOSS - #12 FBOSS		1	FT10070-16-12
12	Hose Clamp, 5/8" OD		4	HW10158
13	Hose Assembly, 3/8" ID X 74" LG		2	HA10001
14	Hose Assembly, 3/8" ID x 168" LG		1	HA10002
15	Valve Bracket		1	BR10010
16	Bolt, Hex Head, 1/4-20 x 5.00" LG		3	FA10023-4.50
17	Lock Nut, 1/4-20		3	FA10009
18	Flat Washer, 1/4"		3	FA10040-0.25
19	Manual, Single Tap-In Kit		1	MS10276

SSP MANIFOLDS



ILLUSTRATIONS and PARTS LISTS

Dual Tap-In Kit Illustration





SSP MANIFOLDS

ILLUSTRATIONS and PARTS LISTS

Dual Tap-In Kit Parts List

ITEM	Description	Footnote	Qty.	MTM Part No.
	Dual Tap-In Kit		1	1148515
1	Manifold Assembly		1	1149265
2	Directional Valve Subassembly		2	SA10019
3	Adapter, 90°, #6 MBOSS - #6 MJIC		7	FT10064-06-06
4	Adapter, Straight, #6 MBOSS - #6 MJIC		8	FT10063-06-06
5	Adapter, Straight, #16 MBOSS - #16 MJIC		1	FT10063-16-16
6	Adapter, Straight, #16 MBOSS - #20 MJIC		1	FT10063-20-16
7	Adapter, Straight, #16 MBOSS - #12 MJIC		1	FT10063-12-16
8	Adapter, Straight, #16 MBOSS - #16 FJIC		1	FT10068-16-16
9	Adapter, Straight, #12 MBOSS - #12 FJIC		1	FT10068-12-12
10	Reducer, #20 FJIC - #16 MJIC		1	FT10069-20-16
11	Reducer, #16 MBOSS - #12 FBOSS		1	FT10070-16-12
12	Hose Clamp, 5/8" OD		8	HW10158
13	Hose Assembly, 3/8" ID x 54" LG		4	HA10003
14	Hose Assembly, 3/8" ID x 168" LG		4	HA10002
15	Valve Bracket		1	BR10010
16	Bolt, Hex Head, 1/4-20 x 5.00" LG		3	FA10023-4.50
17	Lock Nut, 1/4-20		3	FA10009
18	Flat Washer, 1/4"		3	FA10040-0.25
19	Adapter, 90° Long, #6 MBOSS - #6 MJIC		1	FT10072-06-06
20	Manual, Dual Tap-In Kit		1	MS 10275

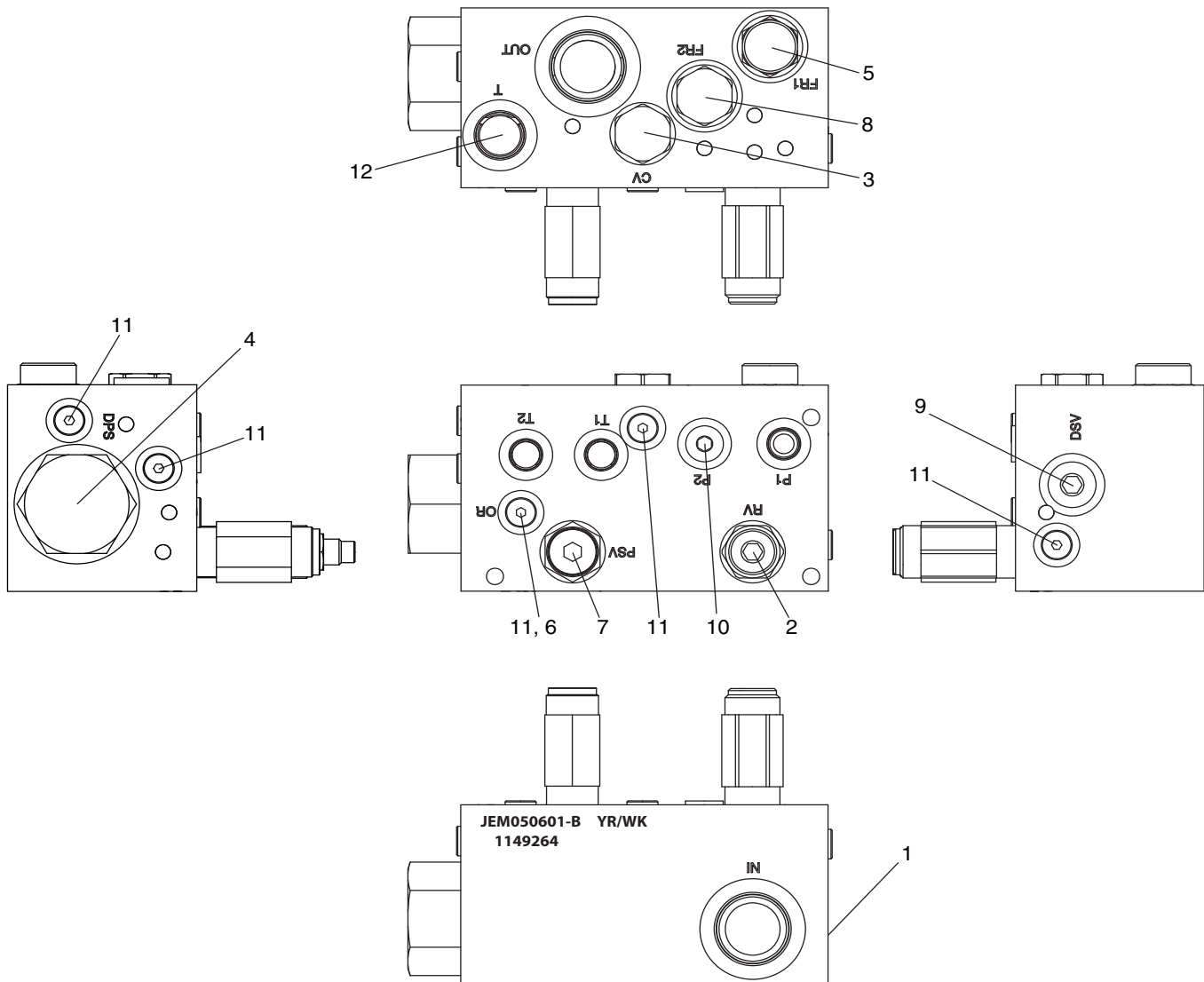
SSP MANIFOLDS

ILLUSTRATIONS and PARTS LISTS

Diverter Valves

Current Production

Single Diverter Valve Assembly (JEM050601-B) Illustration





SSP MANIFOLDS

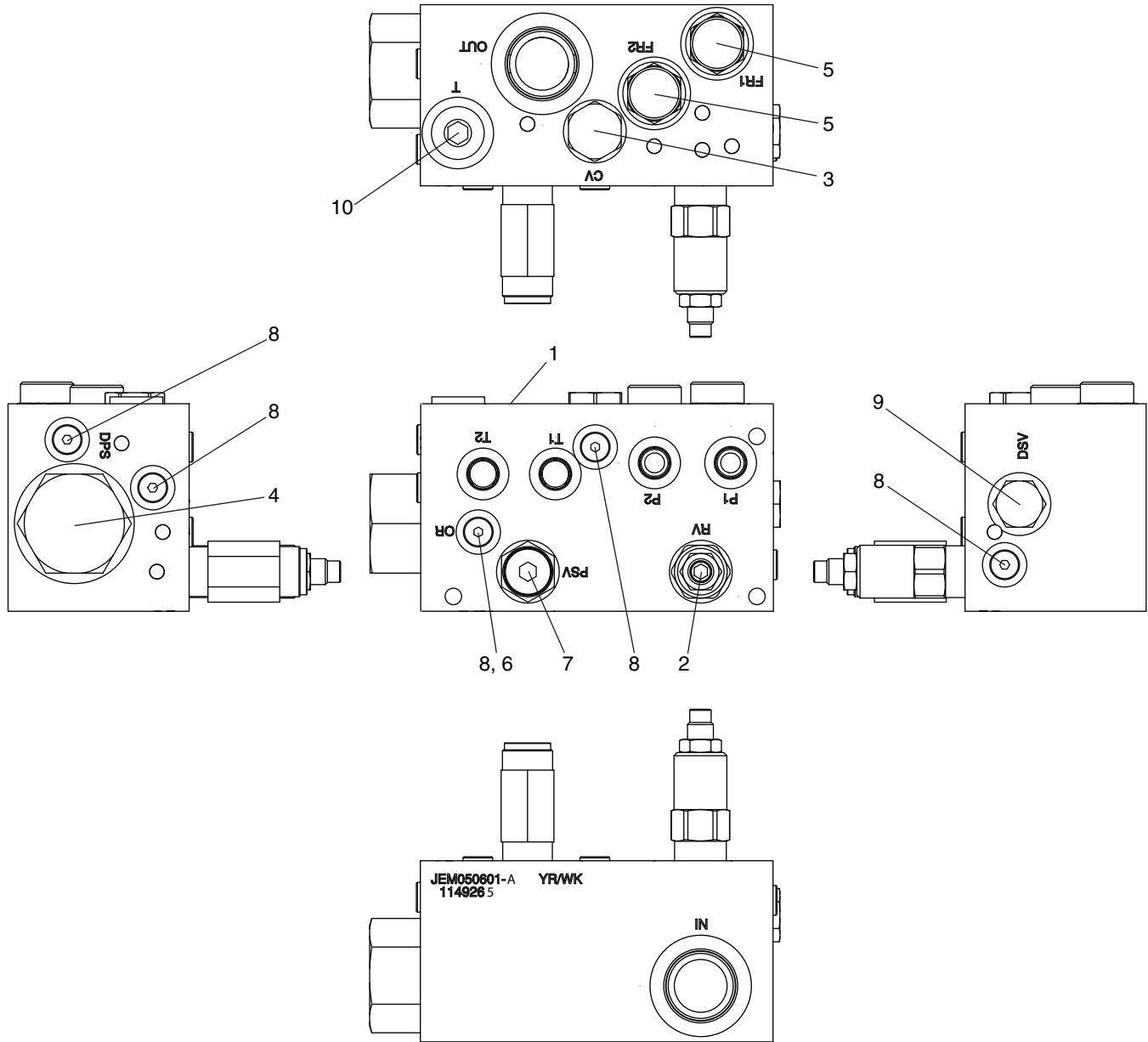
ILLUSTRATIONS and PARTS LISTS

Single Diverter Valve Assembly (JEM050601-B) Parts List

ITEM	Description	Footnote	Qty.	MTM Part No.
	Single Diverter Valve Assembly		1	1149264
1	Manifold Block		1	NSS
2	Relief Valve	F4	1	1373021
3	Check Valve	F4	1	1237688
4	Logic Valve	F6	1	1373017
5	Flow Control	F4, F8	1	1373018
6	Orifice		1	6112020
7	Sequence Valve	F2	1	1373020
8	Cavity Plug	F4	1	NSS
9	Plug, SAE-8	F5	1	NSS
10	Plug, SAE-6	F3	2	NSS
11	Plug, SAE-4	F1	5	NSS
12	Plug, SAE-10	F7	1	NSS
	Seal Kit for Relief Valve (Item 2)		1	1373023
	Seal Kit for Check Valve (Item 3)		1	1331869
	Seal Kit for Logic Valve (Item 4)		1	1373026
	Seal Kit for Flow Control and Cavity Plug (Items 5 and 8)		2	1329656
	Seal Kit for Sequence Valve (Item 7)		1	1373022
F1	Torque to 18 ft-lb (216 in-lb) without loctite.			
F2	Torque to 20 ft-lb (240 in-lb) without loctite.			
F3	Torque to 23 ft-lb (276 in-lb) without loctite.			
F4	Torque to 25 ft-lb (300 in-lb) without loctite.			
F5	Torque to 50 ft-lb (600 in-lb) without loctite.			
F6	Torque to 70 ft-lb (840 in-lb) without loctite.			
F7	Torque to 75 ft-lb (900 in-lb) without loctite.			
F8	Flow Control is rated at 3.5 GPM and is identified by 3.5 at the end of the part number stamped on cartridge. Early diverter valves used a 2.5 GPM rated flow control identified by 2.5 at the end of the part number. Cart tippers with 25,000 pound actuators require 3.5 GPM to operate at rated cycle time. Replace the flow control with Part No. 1373018 to increase cart tipper speed by increasing flow to 3.5 GPM.			

ILLUSTRATIONS and PARTS LISTS

Dual Diverter Valve Assembly (JEM050601-A) Illustration





SSP MANIFOLDS

ILLUSTRATIONS and PARTS LISTS

Dual Diverter Valve Assembly (JEM050601-A) Parts List

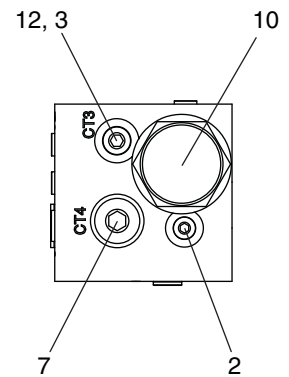
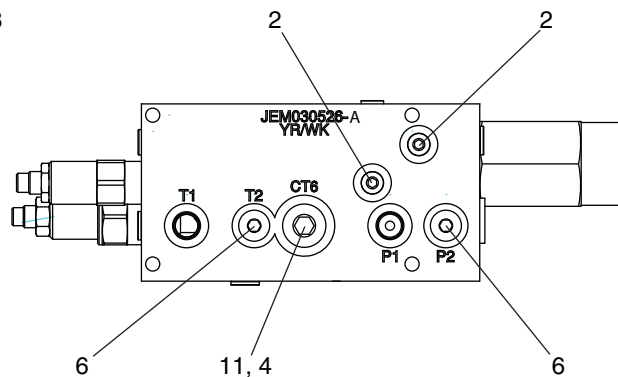
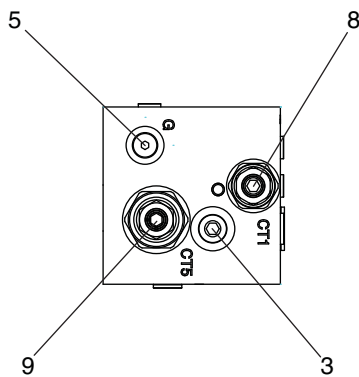
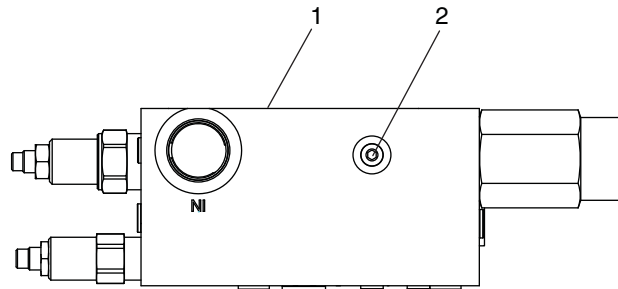
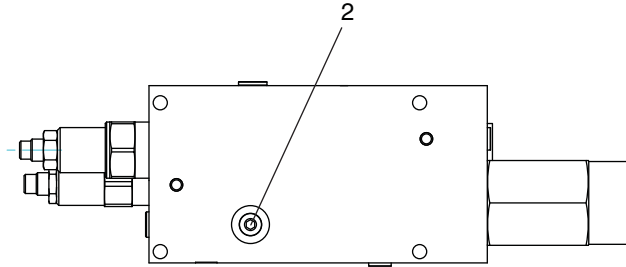
ITEM	Description	Footnote	Qty.	MTM Part No.
	Dual Diverter Valve Assembly		1	1149265
1	Manifold Block		1	NSS
2	Relief Valve	F3	1	1373021
3	Check Valve	F3	1	1237688
4	Logic Valve	F4	1	1373017
5	Flow Control	F3, F6	2	1373018
6	Orifice		1	6112020
7	Sequence Valve	F2	1	1373020
8	Plug, SAE-4	F1	5	NSS
9	Shuttle Valve	F2	1	1373019
10	Plug, SAE-10	F5	1	NSS
	Seal Kit for Relief Valve (Item 2)		1	1373023
	Seal Kit for Check Valve (Item 3)		1	1331869
	Seal Kit for Logic Valve (Item 4)		1	1373026
	Seal Kit for Flow Control (Items 5)		2	1329656
	Seal Kit for Sequence Valve (Item 7)		1	1373022
	Seal Kit for Shuttle Valve (Item 9)		1	1373022
F1	Torque to 18 ft-lb (216 in-lb) without loctite.			
F2	Torque to 20 ft-lb (240 in-lb) without loctite.			
F3	Torque to 25 ft-lb (300 in-lb) without loctite.			
F4	Torque to 70 ft-lb (840 in-lb) without loctite.			
F5	Torque to 75 ft-lb (900 in-lb) without loctite.			
F6	Flow Control is rated at 3.5 GPM and is identified by 3.5 at the end of the part number stamped on cartridge. Early diverter valves used a 2.5 GPM rated flow control identified by 2.5 at the end of the part number. Cart tippers with 25,000 pound actuators require 3.5 GPM to operate at rated cycle time. Replace the flow control with Part No. 1373018 to increase cart tipper speed by increasing flow to 3.5 GPM.			

SSP MANIFOLDS

ILLUSTRATIONS and PARTS LISTS

Obsolete

Single Diverter Valve Assembly (JEM030526-A) Illustration





SSP MANIFOLDS

ILLUSTRATIONS and PARTS LISTS

Single Diverter Valve Assembly (JEM030526-A) Parts List

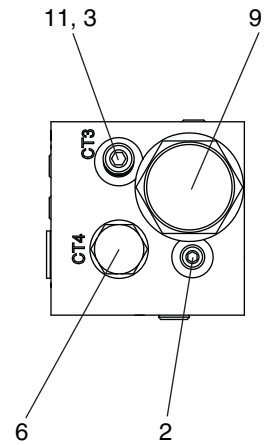
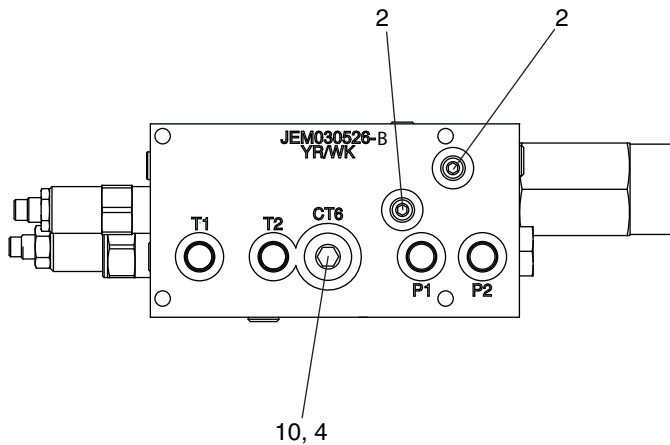
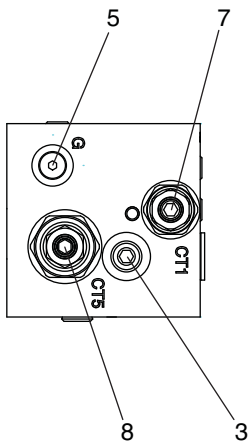
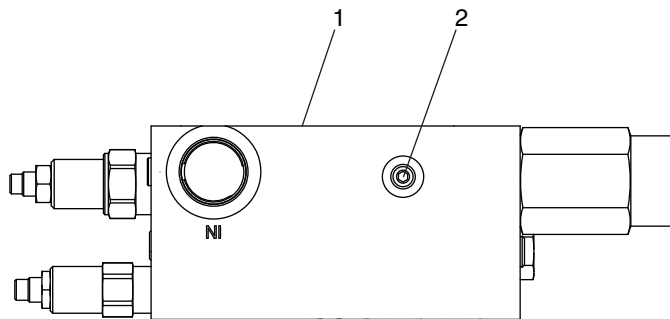
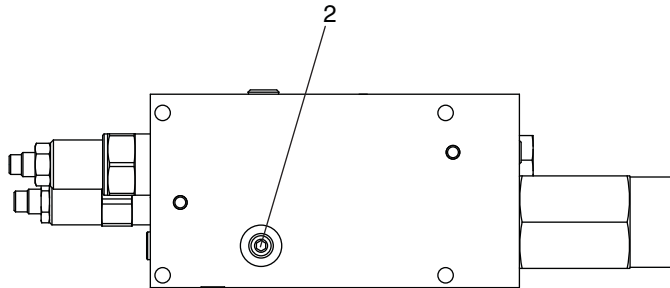
ITEM	Description	Footnote	Qty.	MTM Part No.
	Single Diverter Valve Assembly		1	1149264
1	Manifold Block		1	NSS
2	Plug, SAE-4, NWD Style	F1	5	NSS
3	Plug, SAE-6, NWD Style	F2	3	NSS
4	Plug, SAE-10, NWD Style	F6	1	NSS
5	Plug, SAE-4	F1	1	NSS
6	Plug, SAE-6	F2	2	NSS
7	Plug, SAE-10	F6	1	NSS
8	Main Relief Valve	F3	1	1237693
9	Function Relief Valve	F4	1	1237692
10	Pressure Compensator	F5	1	1237691
11	Pipe Plug, 3/8-18		1	NSS
12	Orifice, 0.100	F7	1	1373016
	Seal Kit for Relief Valve (Item 8)		1	1329572
	Seal Kit for Relief Valve (Item 9)		1	1329570
	Seal Kit for Pressure Compensator (Item 10)			1373027
F1	Torque to 11.25 ft-lb (135 in-lb) without loctite.			
F2	Torque to 18.33 ft-lb (220 in-lb) without loctite.			
F3	Torque to 20 ft-lb (240 in-lb) without loctite.			
F4	Torque to 35 ft-lb (420 in-lb) without loctite.			
F5	Torque to 70 ft-lb (840 in-lb) without loctite.			
F6	Torque to 75 ft-lb (900 in-lb) without loctite.			
F7	Orifice is sized for 2 GPM. Cart tippers with 25,000 pound actuators require 3.5 GPM to operate at rated cycle time. Replace the orifice with Part No. 1395506 (.125") to increase cart tipper speed by increasing flow to 3.5 GPM.			

SSP MANIFOLDS



ILLUSTRATIONS and PARTS LISTS

Dual Diverter Valve Assembly (JEM030526-B) Illustration





SSP MANIFOLDS

ILLUSTRATIONS and PARTS LISTS

Dual Diverter Valve Assembly (JEM030526-B) Parts List

ITEM	Description	Footnote	Qty.	MTM Part No.
	Dual Diverter Valve Assembly		1	1149265
1	Manifold Block		1	NSS
2	Plug, SAE-4, NWD Style	F1	5	NSS
3	Plug, SAE-6, NWD Style	F2	3	NSS
4	Plug, SAE-10, NWD Style	F7	1	NSS
5	Plug, SAE-4	F1	1	NSS
6	Flow Divider	F4	1	1237694
7	Function Relief Valve	F3	1	1237693
8	Main Relief Valve	F5	1	1237692
9	Pressure Compensator	F6	1	1237691
10	Pipe Plug, 3/8-18		1	NSS
11	Orifice, 0.136	F8	1	1373028
	Seal Kit for Flow Divider (Item 6)		1	1373024
	Seal Kit for Function Relief Valve (Item 7)		1	1329572
	Seal Kit for Main Relief Valve (Item 8)		1	1373025
	Seal Kit for Pressure Compensator (Item 9)		1	1373027
F1	Torque to 11.25 ft-lb (135 in-lb) without loctite.			
F2	Torque to 18.33 ft-lb (220 in-lb) without loctite.			
F3	Torque to 20 ft-lb (240 in-lb) without loctite.			
F4	Torque to 25 ft-lb (300 in-lb) without loctite.			
F5	Torque to 35 ft-lb (420 in-lb) without loctite.			
F6	Torque to 70 ft-lb (840 in-lb) without loctite.			
F7	Torque to 75 ft-lb (900 in-lb) without loctite.			
F8	Orifice is sized for 2 GPM. Cart tippers with 25,000 pound actuators require 3.5 GPM to operate at rated cycle time. Replace the orifice with Part No. 1395509 (.180") to increase cart tipper speed by increasing flow to 3.5 GPM.			

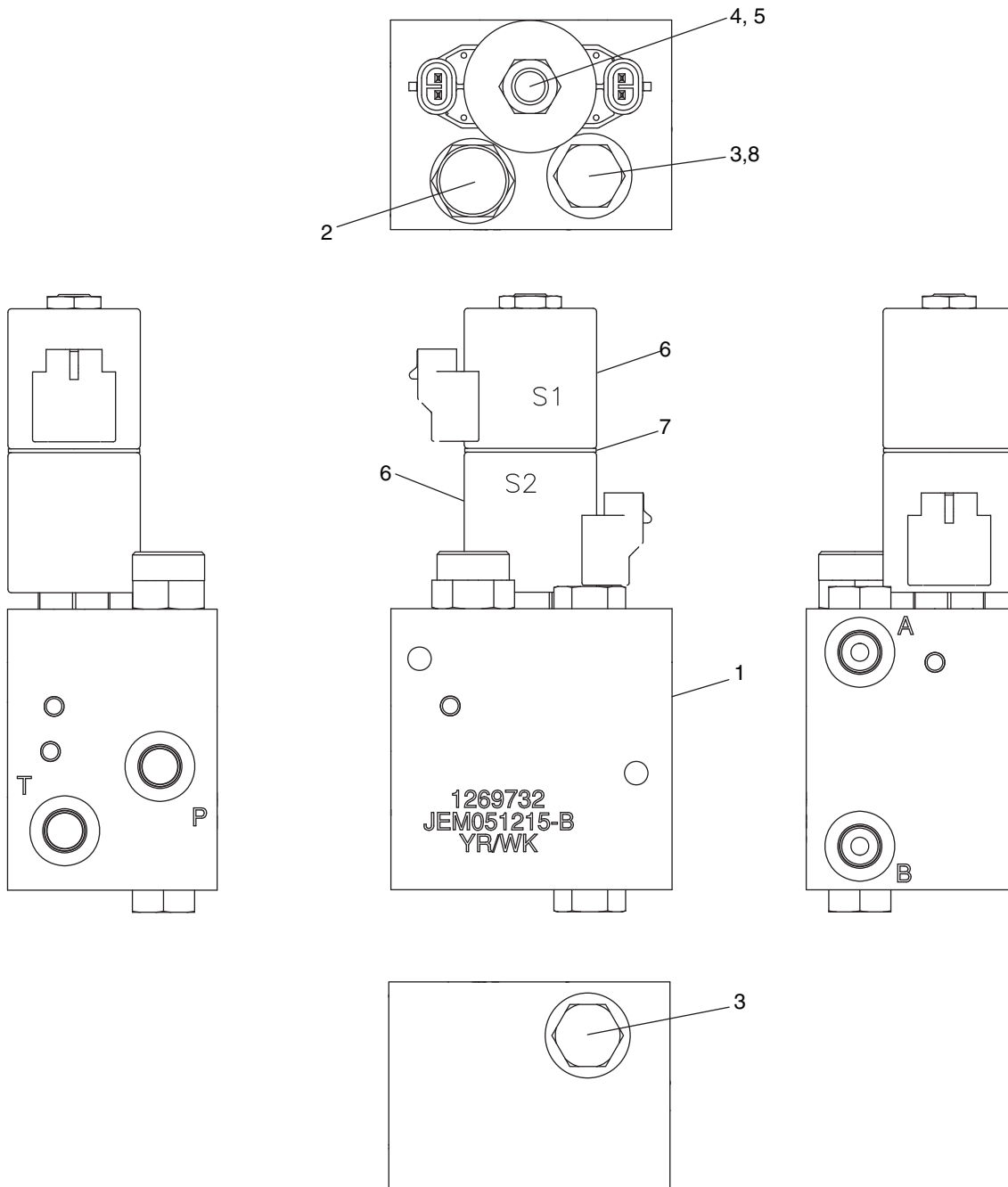
SSP MANIFOLDS

ILLUSTRATIONS and PARTS LISTS

Carry Can Manifolds

Current Production

Carry Can Manifold Assembly (JEM051215-B) Illustration





SSP MANIFOLDS

ILLUSTRATIONS and PARTS LISTS

Carry Can Manifold Assembly (JEM051215-B) Parts List

ITEM	Description	Footnote	Qty.	MTM Part No.
	Carry Can Manifold Assembly		1	1269732
1	Manifold Block		1	NSS
2	Flow Control	F2	1	1374711
3	Check Valve	F1	2	1374709
4	Solenoid Valve	F2	1	1374716
5	Coil Nut		1	7004400
6	Coil 12 VDC	F3	2	4303512
7	Coil Spacer	F4	1	4539700
8	Double Pilot Piston		1	7013380
	Seal Kit for Flow Control (Item 2)		1	1374714
	Seal Kit for Check Valve (Item 3)		1	1149624
	Seal Kit for Solenoid Valve (Item 4)		1	1374715
F1	Torque to 20 ft-lb (240 in-lb) without loctite.			
F2	Torque to 25 ft-lb (300 in-lb) without loctite.			
F3	Torque to 50 ft-lb (600 in-lb) without loctite.			
F4	Install with wave facing UP.			

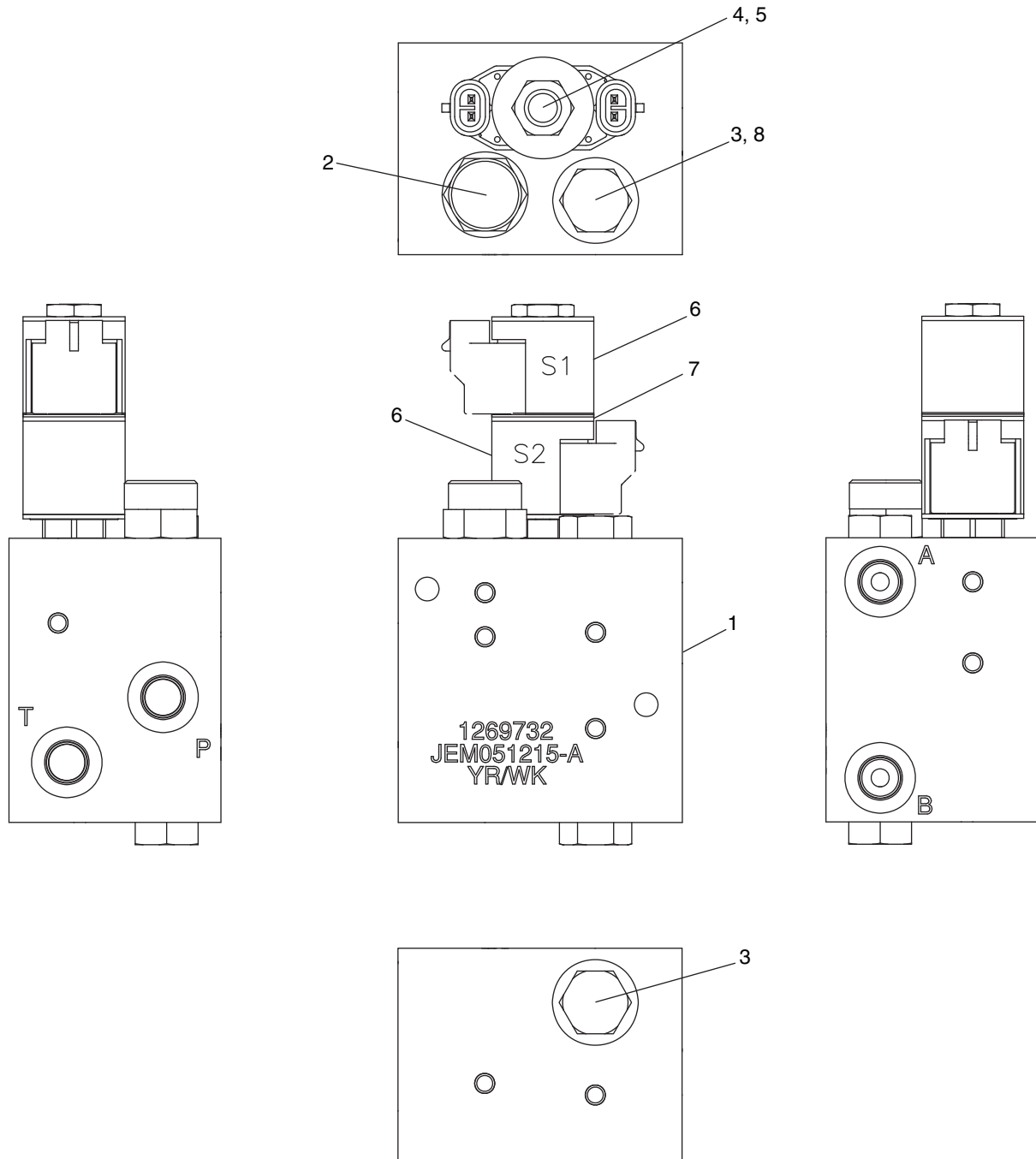
SSP MANIFOLDS



ILLUSTRATIONS and PARTS LISTS

Obsolete

Carry Can Manifold Assembly (JEM051215-A) Illustration





SSP MANIFOLDS

ILLUSTRATIONS and PARTS LISTS

Carry Can Manifold Assembly (JEM051215-A) Parts List

ITEM	Description	Footnote	Qty.	MTM Part No.
	Carry Can Manifold Assembly	JEM051215-B	1	1269732
1	Manifold Block		1	NSS
2	Flow Control	F3	1	1374710
3	Check Valve	F2	2	1374709
4	Solenoid Valve	F2	1	1374717
5	Coil Nut			7004400
6	Coil 12 VDC	F1	2	4303412
7	Coil Spacer	F4	1	4534720
8	Double Pilot Piston		1	7013380
	Seal Kit for Flow Control (Item 2)		1	1374714
	Seal Kit for Check Valve (Item 3)		1	1149624
	Seal Kit for Solenoid Valve (Item 4)		1	1374712
F1	Torque to 5 ft-lb (60 in-lb) without loctite.			
F1	Torque to 20 ft-lb (240 in-lb) without loctite.			
F2	Torque to 25 ft-lb (300 in-lb) without loctite.			
F3	Torque to 50 ft-lb (600 in-lb) without loctite.			
F4	Install with wave facing UP.			

SSP MANIFOLDS

ILLUSTRATIONS and PARTS LISTS

Carry Can Hydraulic and Electrical Installations

Bayne BTL 1110, 1112 and 1114

Side Mount - RH Curbside (1324704) Illustration





SSP MANIFOLDS

ILLUSTRATIONS and PARTS LISTS

Side Mount - RH Curbside (1324704) Parts List

ITEM	Description	Footnote	Qty.	MTM Part No.
	Side Mount - RH Curbside		1	1324704
	Manifold		1	1269732
	Bracket, Manifold		1	1264538
	Guard, Manifold		1	1264539
	Harness, Control		1	1272578
	Harness, Chassis, RH, 137"		1	1272580
	Control Box, Swivel, 65"		1	1272582
	Clamp, Hydraulic Tube		2	1320364
	Fitting, #6 NPT- #6 JIC		2	1260362
	Fitting, #6 ORG - #6 JIC, MM ST		4	1260453
	Hydraulic Tube, Short, Port 'A'		1	1320004
	Hydraulic Tube, Long, Port 'B'		1	1320003
	Bolt, Hex, 5/16-18 UNC x 1/2 GD 8 ZY		2	1134428
	Bolt, Hex, 5/16-18 UNC x 3-1/4 GD 8 ZY		1	1134461
	Bolt, Hex, 5/16-18 UNC x 3-1/2 GD 8 ZY		1	1134464
	Washer, Flat, 5/16 HDN ZY		4	0120276
	Hose, Chassis, 35"		2	1324024
	Magnet		2	1322083
	Quick Disconnect, Male, #6 NPT, ZY (New Style Used On Current Production)		1	1273196
	Quick Disconnect, Female, #6 NPT, ZY (New Style Used On Current Production)		1	1273197
	Quick Disconnect, Male, #6 NPT, STL (Old Style Used On Early Production)		1	1143959
	Quick Disconnect, Female, #6 NPT, STL (Old Style Used On Early Production)		1	1143965

SSP MANIFOLDS



ILLUSTRATIONS and PARTS LISTS

Side Mount - LH Street Side (1325092) Illustration





SSP MANIFOLDS

ILLUSTRATIONS and PARTS LISTS

Side Mount - LH Street Side (1325092) Parts List

ITEM	Description	Footnote	Qty.	MTM Part No.
	Side Mount - LH Street Side		1	1325092
	Manifold		1	1269732
	Bracket, Manifold		1	1264538
	Guard, Manifold		1	1264539
	Harness, Control		1	1272578
	Harness, Chassis, LH, 155"		1	1272579
	Control Box, Swivel, 65"		1	1272582
	Clamp, Hydraulic Tube		5	1320364
	Fitting, #6 NPT- #6 JIC		2	1260362
	Fitting, #6 ORG - #6 JIC, MM ST		4	1260453
	Hydraulic Tube, Short, Port 'A'		1	1320004
	Hydraulic Tube, Long, Port 'B'		1	1320003
	Hydraulic Tube, LH Ext, Upper, Port 'P'		1	1273215
	Hydraulic Tube, LH Ext, Lower, Port 'T'		1	1273214
	Bolt, Hex, 5/16-18 UNC x 1/2 GD 8 ZY		2	1134428
	Bolt, Hex, 5/16-18 UNC x 3-1/4 GD 8 ZY		1	1134461
	Bolt, Hex, 5/16-18 UNC x 3-1/2 GD 8 ZY		1	1134464
	Washer, Flat, 5/16 HDN ZY		4	0120276
	Bulkhead Fitting, 45°, #6JIC - #6 JIC MM ST		2	1131602
	Mounting Bracket, Bulkhead		1	1321877
	Hose, Chassis, 35"		2	1324024
	Hose Ring		1	1136894
	Magnet		2	1322083
	Quick Disconnect, Male, #6 NPT, ZY (New Style Used On Current Production)		1	1273196
	Quick Disconnect, Female, #6 NPT, ZY (New Style Used On Current Production)		1	1273197
	Quick Disconnect, Male, #6 NPT, STL (Old Style Used On Early Production)		1	1143959
	Quick Disconnect, Female, #6 NPT, STL (Old Style Used On Early Production)		1	1143965

SSP MANIFOLDS

ILLUSTRATIONS and PARTS LISTS

Corner Mount - RH Curbside (1325093) Illustration



**ILLUSTRATION
TO FOLLOW LATER**



SSP MANIFOLDS

ILLUSTRATIONS and PARTS LISTS

Corner Mount - RH Curbside (1325093) Parts List

ITEM	Description	Footnote	Qty.	MTM Part No.
	Corner Mount - RH Curbside		1	1325093
	Manifold		1	1269732
	Bracket, Manifold		1	1264538
	Guard, Manifold		1	1264539
	Harness, Control		1	1272578
	Harness, Chassis, RH, 137"		1	1272580
	Control Box, Swivel, 65"		1	1272582
	Clamp, Hydraulic Tube		3	1320364
	Fitting, #6 NPT- #6 JIC		2	1260362
	Fitting, #6 ORG - #6 JIC, MM ST		4	1260453
	Hydraulic Tube, Short, Port 'B'		1	1325535
	Hydraulic Tube, Long, Port 'A'		1	1325536
	Bolt, Hex, 5/16-18 UNC x 1/2 GD 8 ZY		2	1134428
	Bolt, Hex, 5/16-18 UNC x 3-1/4 GD 8 ZY		1	1134461
	Bolt, Hex, 5/16-18 UNC x 3-1/2 GD 8 ZY		1	1134464
	Washer, Flat, 5/16 HDN ZY		4	0120276
	Hose, Chassis, 35"		2	1324024
	Magnet		2	1322083
	Quick Disconnect, Male, #6 NPT, ZY (New Style Used On Current Production)		1	1273196
	Quick Disconnect, Female, #6 NPT, ZY (New Style Used On Current Production)		1	1273197
	Quick Disconnect, Male, #6 NPT, STL (Old Style Used On Early Production)		1	1143959
	Quick Disconnect, Female, #6 NPT, STL (Old Style Used On Early Production)		1	1143965

SSP MANIFOLDS

ILLUSTRATIONS and PARTS LISTS

Corner Mount - LH Street Side (1325091) Illustration



**ILLUSTRATION
TO FOLLOW LATER**



SSP MANIFOLDS

ILLUSTRATIONS and PARTS LISTS

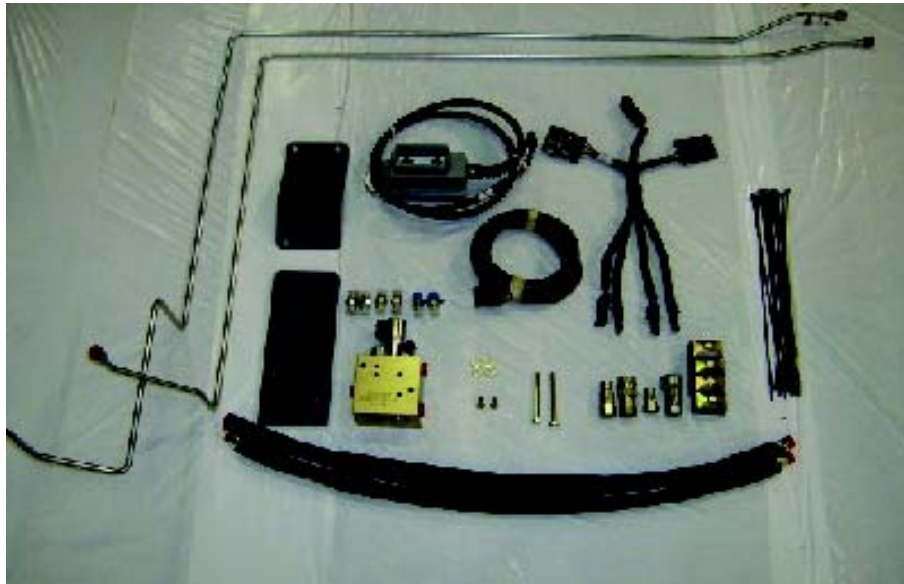
Corner Mount - LH Street Side (1325091) Parts List

ITEM	Description	Footnote	Qty.	MTM Part No.
	Corner Mount - LH Street Side		1	1325091
	Manifold		1	1269732
	Bracket, Manifold		1	1264538
	Guard, Manifold		1	1264539
	Harness, Control		1	1272578
	Harness, Chassis, LH, 155"		1	1272579
	Control Box, Swivel, 65"		1	1272582
	Clamp, Hydraulic Tube		6	1320364
	Fitting, #6 NPT- #6 JIC		2	1260362
	Fitting, #6 ORG - #6 JIC, MM ST		4	1260453
	Hydraulic Tube, Short, Port 'B'		1	1325535
	Hydraulic Tube, Long, Port 'A'		1	1325536
	Hydraulic Tube, LH Ext, Long, Port 'P'		1	1273216
	Hydraulic Tube, LH Ext, Short, Port 'T'		1	1273217
	Bolt, Hex, 5/16-18 UNC x 1/2 GD 8 ZY		2	1134428
	Bolt, Hex, 5/16-18 UNC x 3-1/4 GD 8 ZY		1	1134461
	Bolt, Hex, 5/16-18 UNC x 3-1/2 GD 8 ZY		1	1134464
	Washer, Flat, 5/16 HDN ZY		4	0120276
	Bulkhead Fitting, 45°, #6JIC - #6 JIC MM ST		2	1131602
	Mounting Bracket, Bulkhead		1	1321877
	Hose, Chassis, 35"		2	1324024
	Hose Ring		1	1136894
	Magnet		2	1322083
	Quick Disconnect, Male, #6 NPT, ZY (New Style Used On Current Production)		1	1273196
	Quick Disconnect, Female, #6 NPT, ZY (New Style Used On Current Production)		1	1273197
	Quick Disconnect, Male, #6 NPT, STL (Old Style Used On Early Production)		1	1143959
	Quick Disconnect, Female, #6 NPT, STL (Old Style Used On Early Production)		1	1143965

SSP MANIFOLDS

ILLUSTRATIONS and PARTS LISTS

Front Mount - RH Curbside (1325090) Illustration





SSP MANIFOLDS

ILLUSTRATIONS and PARTS LISTS

Front Mount - RH Curbside (1325090) Parts List

ITEM	Description	Footnote	Qty.	MTM Part No.
	Front Mount - RH Curbside		1	1325090
	Manifold		1	1269732
	Bracket, Manifold		1	1264538
	Guard, Manifold		1	1264539
	Harness, Control		1	1272578
	Harness, Chassis, RH, 137"		1	1272580
	Control Box, Swivel, 142"		1	1272583
	Clamp, Hydraulic Tube		4	1320364
	Fitting, #6 NPT- #6 JIC		2	1260362
	Fitting, #6 ORG - #6 JIC, MM ST		4	1260453
	Hydraulic Tube, Short, Lower, Port 'B'		1	1273212
	Hydraulic Tube, Long, Upper, Port 'A'		1	1273213
	Bolt, Hex, 5/16-18 UNC x 1/2 GD 8 ZY		2	1134428
	Bolt, Hex, 5/16-18 UNC x 3-1/4 GD 8 ZY		1	1134461
	Bolt, Hex, 5/16-18 UNC x 3-1/2 GD 8 ZY		1	1134464
	Washer, Flat, 5/16 HDN ZY		4	0120276
	Hose, Chassis, 35"		2	1324024
	Magnet		2	1322083
	Quick Disconnect, Male, #6 NPT, ZY (New Style Used On Current Production)		1	1273196
	Quick Disconnect, Female, #6 NPT, ZY (New Style Used On Current Production)		1	1273197
	Quick Disconnect, Male, #6 NPT, STL (Old Style Used On Early Production)		1	1143959
	Quick Disconnect, Female, #6 NPT, STL (Old Style Used On Early Production)		1	1143965

SSP MANIFOLDS



ILLUSTRATIONS and PARTS LISTS

Front Mount - LH Streetside (1325089) Illustration





SSP MANIFOLDS

ILLUSTRATIONS and PARTS LISTS

Front Mount - LH Streetside (1325089) Parts List

ITEM	Description	Footnote	Qty.	MTM Part No.
	Front Mount - LH Streetside		1	1325089
	Manifold		1	1269732
	Bracket, Manifold		1	1264538
	Guard, Manifold		1	1264539
	Harness, Control		1	1272578
	Harness, Chassis, LH, 155"		1	1272579
	Control Box, Swivel, 142"		1	1272583
	Clamp, Hydraulic Tube		7	1320364
	Fitting, #6 NPT- #6 JIC		2	1260362
	Fitting, #6 ORG - #6 JIC, MM ST		4	1260453
	Hydraulic Tube, Short, Lower, Port 'B'		1	1273212
	Hydraulic Tube, Long, Upper, Port 'A'		1	1273213
	Hydraulic Tube, LH Ext, Long, Port 'P'		1	1273216
	Hydraulic Tube, LH Ext, Short, Port 'T'		1	1273217
	Bolt, Hex, 5/16-18 UNC x 1/2 GD 8 ZY		2	1134428
	Bolt, Hex, 5/16-18 UNC x 3-1/4 GD 8 ZY		1	1134461
	Bolt, Hex, 5/16-18 UNC x 3-1/2 GD 8 ZY		1	1134464
	Washer, Flat, 5/16 HDN ZY		4	0120276
	Bulkhead Fitting, 45°, #6JIC - #6 JIC MM ST		2	1131602
	Bracket, Bulkhead Mount		1	1321877
	Hose, Chassis, 35"		2	1324024
	Hose Ring		1	1136894
	Magnet		2	1322083
	Quick Disconnect, Male, #6 NPT, ZY (New Style Used On Current Production)		1	1273196
	Quick Disconnect, Female, #6 NPT, ZY (New Style Used On Current Production)		1	1273197
	Quick Disconnect, Male, #6 NPT, STL (Old Style Used On Early Production)		1	1143959
	Quick Disconnect, Female, #6 NPT, STL (Old Style Used On Early Production)		1	1143965

SSP MANIFOLDS



ILLUSTRATIONS and PARTS LISTS

Perkins D6070,D6071,D6226 and McNeilus SSPIV

Side Mount - RH Curbside (1273066) Illustration





SSP MANIFOLDS

ILLUSTRATIONS and PARTS LISTS

Side Mount - RH Curbside (1273066) Parts List

ITEM	Description	Footnote	Qty.	MTM Part No.
	Side Mount - RH Curbside		1	1273066
	Manifold		1	1269732
	Bracket, Manifold		1	1264538
	Guard, Manifold		1	1264539
	Harness, Control		1	1272578
	Harness, Chassis, RH, 137"		1	1272580
	Control Box, Swivel, 65"		1	1272582
	Clamp, Hydraulic Tube		2	1320364
	Fitting, #6 NPT- #6 JIC		2	1260362
	Fitting, #6 ORG - #6 JIC, MM ST		6	1260453
	Hydraulic Tube, Short, Port 'B'		1	1325535
	Hydraulic Tube, Long, Port 'A'		1	1325536
	Bolt, Hex, 5/16-18 UNC x 1/2 GD 8 ZY		2	1134428
	Bolt, Hex, 5/16-18 UNC x 3-1/4 GD 8 ZY		1	1134461
	Bolt, Hex, 5/16-18 UNC x 3-1/2 GD 8 ZY		1	1134464
	Washer, Flat, 5/16 HDN ZY		4	0120276
	Hose, Chassis, 35"		2	1324024
	Magnet		2	1322083
	Quick Disconnect, Male, #6 NPT, ZY (New Style Used On Current Production)		1	1273196
	Quick Disconnect, Female, #6 NPT, ZY (New Style Used On Current Production)		1	1273197
	Quick Disconnect, Male, #6 NPT, STL (Old Style Used On Early Production)		1	1143959
	Quick Disconnect, Female, #6 NPT, STL (Old Style Used On Early Production)		1	1143965



SSP MANIFOLDS

ILLUSTRATIONS and PARTS LISTS

Side Mount - LH Street Side (1273067) Parts List

ITEM	Description	Footnote	Qty.	MTM Part No.
	Side Mount - LH Street Side		1	1273067
	Manifold		1	1269732
	Bracket, Manifold		1	1264538
	Guard, Manifold		1	1264539
	Harness, Control		1	1272578
	Harness, Chassis, LH, 155"		1	1272579
	Control Box, Swivel, 65"		1	1272582
	Clamp, Hydraulic Tube		5	1320364
	Fitting, #6 NPT- #6 JIC		2	1260362
	Fitting, #6 ORG - #6 JIC, MM ST		6	1260453
	Hydraulic Tube, Short, Port 'B'		1	1325535
	Hydraulic Tube, Long, Port 'A'		1	1325536
	Hydraulic Tube, LH Ext, Upper, Port 'P'		1	1273215
	Hydraulic Tube, LH Ext, Lower, Port 'T'		1	1273214
	Bolt, Hex, 5/16-18 UNC x 1/2 GD 8 ZY		2	1134428
	Bolt, Hex, 5/16-18 UNC x 3-1/4 GD 8 ZY		1	1134461
	Bolt, Hex, 5/16-18 UNC x 3-1/2 GD 8 ZY		1	1134464
	Washer, Flat, 5/16 HDN ZY		4	0120276
	Bulkhead Fitting, 45°, #6JIC - #6 JIC MM ST		2	1131602
	Mounting Bracket, Bulkhead		1	1321877
	Hose, Chassis, 35"		2	1324024
	Hose Ring		1	1136894
	Magnet		2	1322083
	Quick Disconnect, Male, #6 NPT, ZY (New Style Used On Current Production)		1	1273196
	Quick Disconnect, Female, #6 NPT, ZY (New Style Used On Current Production)		1	1273197
	Quick Disconnect, Male, #6 NPT, STL (Old Style Used On Early Production)		1	1143959
	Quick Disconnect, Female, #6 NPT, STL (Old Style Used On Early Production)		1	1143965

SSP MANIFOLDS

ILLUSTRATIONS and PARTS LISTS

Corner Mount - RH Curbside (1273091) Illustration





SSP MANIFOLDS

ILLUSTRATIONS and PARTS LISTS

Corner Mount - RH Curbside (1273091) Parts List

ITEM	Description	Footnote	Qty.	MTM Part No.
	Corner Mount - RH Curbside		1	1273091
	Manifold		1	1269732
	Bracket, Manifold		1	1264538
	Guard, Manifold		1	1264539
	Harness, Control		1	1272578
	Harness, Chassis, RH, 137"		1	1272580
	Control Box, Swivel, 65"		1	1272582
	Clamp, Hydraulic Tube		3	1320364
	Fitting, #6 NPT- #6 JIC		2	1260362
	Fitting, #6 ORG - #6 JIC, MM ST		6	1260453
	Hydraulic Tube, Short, Port 'B'		1	1325534
	Hydraulic Tube, Long, Port 'A'		1	1325533
	Bolt, Hex, 5/16-18 UNC x 1/2 GD 8 ZY		2	1134428
	Bolt, Hex, 5/16-18 UNC x 3-1/4 GD 8 ZY		1	1134461
	Bolt, Hex, 5/16-18 UNC x 3-1/2 GD 8 ZY		1	1134464
	Washer, Flat, 5/16 HDN ZY		4	0120276
	Hose, Chassis, 35"		2	1324024
	Magnet		2	1322083
	Quick Disconnect, Male, #6 NPT, ZY (New Style Used On Current Production)		1	1273196
	Quick Disconnect, Female, #6 NPT, ZY (New Style Used On Current Production)		1	1273197
	Quick Disconnect, Male, #6 NPT, STL (Old Style Used On Early Production)		1	1143959
	Quick Disconnect, Female, #6 NPT, STL (Old Style Used On Early Production)		1	1143965

SSP MANIFOLDS

ILLUSTRATIONS and PARTS LISTS

Corner Mount - LH Street Side (1273109) Illustration





SSP MANIFOLDS

ILLUSTRATIONS and PARTS LISTS

Corner Mount - LH Street Side (1273109) Parts List

ITEM	Description	Footnote	Qty.	MTM Part No.
	Corner Mount - LH Street Side		1	1273109
	Manifold		1	1269732
	Bracket, Manifold		1	1264538
	Guard, Manifold		1	1264539
	Harness, Control		1	1272578
	Harness, Chassis, LH, 155"		1	1272579
	Control Box, Swivel, 65"		1	1272582
	Clamp, Hydraulic Tube		6	1320364
	Fitting, #6 NPT- #6 JIC		2	1260362
	Fitting, #6 ORG - #6 JIC, MM ST		6	1260453
	Hydraulic Tube, Short, Port 'B'		1	1325534
	Hydraulic Tube, Long, Port 'A'		1	1325533
	Hydraulic Tube, LH Ext, Long, Port 'P'		1	1273216
	Hydraulic Tube, LH Ext, Short, Port 'T'		1	1273217
	Bolt, Hex, 5/16-18 UNC x 1/2 GD 8 ZY		2	1134428
	Bolt, Hex, 5/16-18 UNC x 3-1/4 GD 8 ZY		1	1134461
	Bolt, Hex, 5/16-18 UNC x 3-1/2 GD 8 ZY		1	1134464
	Washer, Flat, 5/16 HDN ZY		4	0120276
	Bulkhead Fitting, 45°, #6JIC - #6 JIC MM ST		2	1131602
	Mounting Bracket, Bulkhead		1	1321877
	Hose, Chassis, 35"		2	1324024
	Hose Ring		1	1136894
	Magnet		2	1322083
	Quick Disconnect, Male, #6 NPT, ZY (New Style Used On Current Production)		1	1273196
	Quick Disconnect, Female, #6 NPT, ZY (New Style Used On Current Production)		1	1273197
	Quick Disconnect, Male, #6 NPT, STL (Old Style Used On Early Production)		1	1143959
	Quick Disconnect, Female, #6 NPT, STL (Old Style Used On Early Production)		1	1143965

SSP MANIFOLDS

ILLUSTRATIONS and PARTS LISTS

Front Mount - RH Curbside (1273117) Illustration





SSP MANIFOLDS

ILLUSTRATIONS and PARTS LISTS

Front Mount - RH Curbside (1273117) Parts List

ITEM	Description	Footnote	Qty.	MTM Part No.
	Front Mount - RH Curbside		1	1273117
	Manifold		1	1269732
	Bracket, Manifold		1	1264538
	Guard, Manifold		1	1264539
	Harness, Control		1	1272578
	Harness, Chassis, RH, 137"		1	1272580
	Control Box, Swivel, 142"		1	1272583
	Clamp, Hydraulic Tube		4	1320364
	Fitting, #6 NPT- #6 JIC		2	1260362
	Fitting, #6 ORG - #6 JIC, MM ST		6	1260453
	Hydraulic Tube, Upper, Short		1	1326027
	Hydraulic Tube, Lower, Long		1	1326028
	Bolt, Hex, 5/16-18 UNC x 1/2 GD 8 ZY		2	1134428
	Bolt, Hex, 5/16-18 UNC x 3-1/4 GD 8 ZY		1	1134461
	Bolt, Hex, 5/16-18 UNC x 3-1/2 GD 8 ZY		1	1134464
	Washer, Flat, 5/16 HDN ZY		4	0120276
	Hose, Chassis, 35"		2	1324024
	Magnet		2	1322083
	Quick Disconnect, Male, #6 NPT, ZY (New Style Used On Current Production)		1	1273196
	Quick Disconnect, Female, #6 NPT, ZY (New Style Used On Current Production)		1	1273197
	Quick Disconnect, Male, #6 NPT, STL (Old Style Used On Early Production)		1	1143959
	Quick Disconnect, Female, #6 NPT, STL (Old Style Used On Early Production)		1	1143965

SSP MANIFOLDS

ILLUSTRATIONS and PARTS LISTS

Front Mount - LH Streetside (1273122) Illustration





SSP MANIFOLDS

ILLUSTRATIONS and PARTS LISTS

Front Mount - LH Streetside (1273122) Parts List

ITEM	Description	Footnote	Qty.	MTM Part No.
	Front Mount - LH Streetside		1	1273122
	Manifold		1	1269732
	Bracket, Manifold		1	1264538
	Guard, Manifold		1	1264539
	Harness, Control		1	1272578
	Harness, Chassis, LH, 155"		1	1272579
	Control Box, Swivel, 142"		1	1272583
	Clamp, Hydraulic Tube		7	1320364
	Fitting, #6 NPT- #6 JIC		2	1260362
	Fitting, #6 ORG - #6 JIC, MM ST		4	1260453
	Hydraulic Tube, Upper, Short		1	1326027
	Hydraulic Tube, Lower, Long		1	1326028
	Hydraulic Tube, LH Extension, Upper		1	1326001
	Hydraulic Tube, LH Extension, Lower		1	1326002
	Bolt, Hex, 5/16-18 UNC x 1/2 GD 8 ZY		2	1134428
	Bolt, Hex, 5/16-18 UNC x 3-1/4 GD 8 ZY		1	1134461
	Bolt, Hex, 5/16-18 UNC x 3-1/2 GD 8 ZY		1	1134464
	Washer, Flat, 5/16 HDN ZY		4	0120276
	Bulkhead Fitting, 45°, #6 JIC - #6 JIC MM ST		2	1131602
	Bracket, Bulkhead Mount		1	1321877
	Hose, Chassis, 35"		2	1324024
	Hose Ring		1	1136894
	Magnet		2	1322083
	Quick Disconnect, Male, #6 NPT, ZY (New Style Used On Current Production)		1	1273196
	Quick Disconnect, Female, #6 NPT, ZY (New Style Used On Current Production)		1	1273197
	Quick Disconnect, Male, #6 NPT, STL (Old Style Used On Early Production)		1	1143959
	Quick Disconnect, Female, #6 NPT, STL (Old Style Used On Early Production)		1	1143965

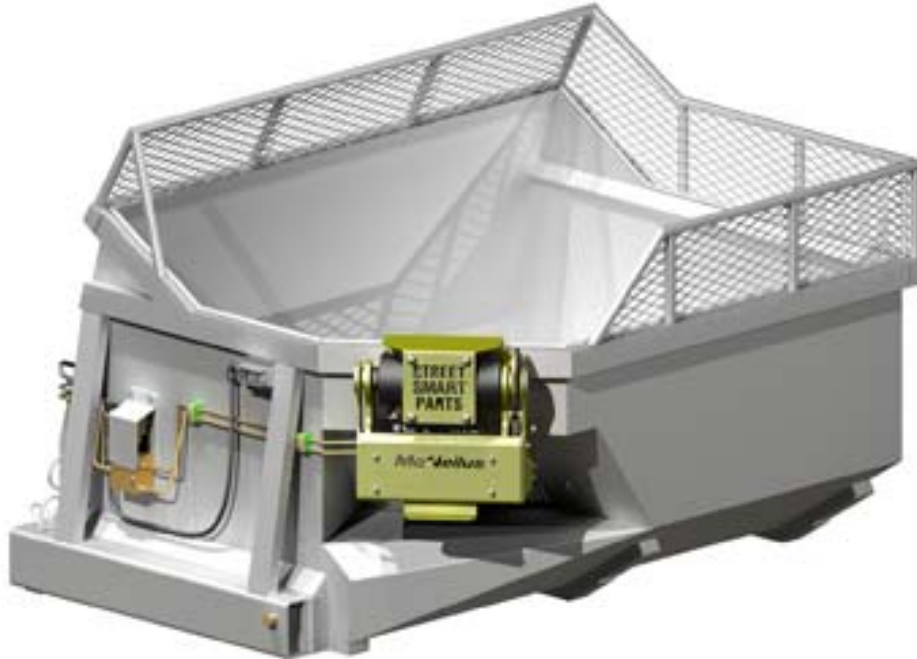
SSP MANIFOLDS



ILLUSTRATIONS and PARTS LISTS

McNeilus SSP III

Corner Tuckaway - RH Curbside (1324703) Illustration





SSP MANIFOLDS

ILLUSTRATIONS and PARTS LISTS

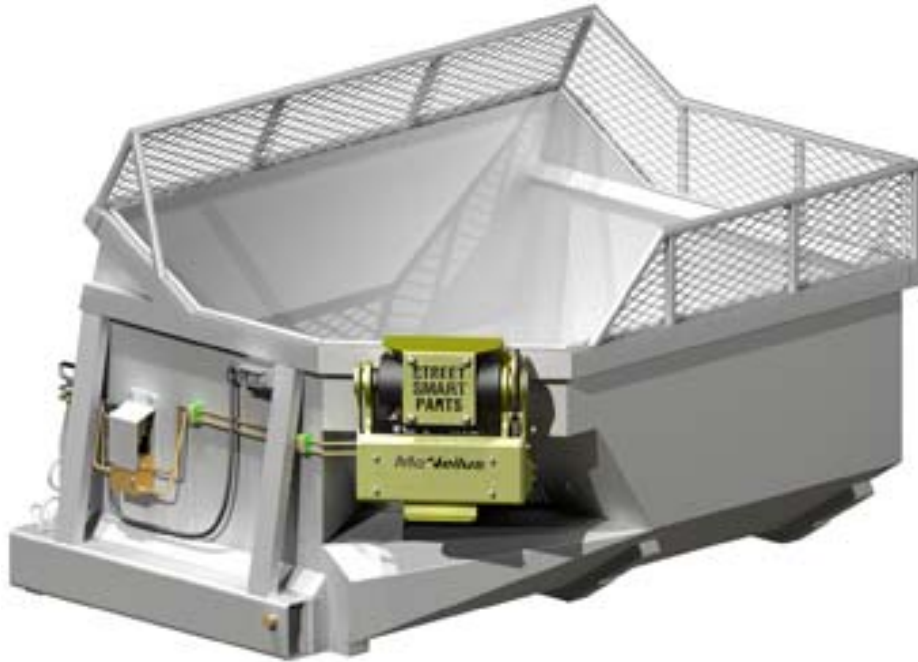
Corner Tuckaway - RH Curbside (1324703) Parts List

ITEM	Description	Footnote	Qty.	MTM Part No.
	Corner Tuckaway - RH Curbside		1	1324703
	Manifold		1	1269732
	Bracket, Manifold		1	1264538
	Guard, Manifold		1	1264539
	Harness, Control		1	1272578
	Harness, Chassis, RH, 137"		1	1272580
	Control Box, Swivel, 65"		1	1272582
	Clamp, Hydraulic Tube		2	1320364
	Fitting, #6 NPT- #6 JIC		2	1260362
	Fitting, #6 ORG - #6 JIC, MM ST		4	1260453
	Fitting, 45°, #6 ORG - #6 JIC, MM ST		2	1131609
	Hydraulic Tube, Bottom, Port 'B'		1	1271180
	Hydraulic Tube, Top, Port 'A'		1	1271179
	Bolt, Hex, 5/16-18 UNC x 1/2 GD 8 ZY		2	1134428
	Bolt, Hex, 5/16-18 UNC x 3-1/4 GD 8 ZY		1	1134461
	Bolt, Hex, 5/16-18 UNC x 3-1/2 GD 8 ZY		1	1134464
	Washer, Flat, 5/16, HDN ZY		4	0120276
	Hose, Chassis, 35"		2	1324024
	Magnet		2	1322083
	Quick Disconnect, Male, #6 NPT, ZY (New Style Used On Current Production)		1	1273196
	Quick Disconnect, Female, #6 NPT, ZY (New Style Used On Current Production)		1	1273197
	Quick Disconnect, Male, #6 NPT, STL (Old Style Used On Early Production)		1	1143959
	Quick Disconnect, Female, #6 NPT, STL (Old Style Used On Early Production)		1	1143965

SSP MANIFOLDS

ILLUSTRATIONS and PARTS LISTS

Corner Tuckaway - LH Street Side (1324702) Illustration





SSP MANIFOLDS

ILLUSTRATIONS and PARTS LISTS

Corner Tuckaway - LH Street Side (1324702) Parts List

ITEM	Description	Footnote	Qty.	MTM Part No.
	Corner Tuckaway - LH Street Side		1	1324702
	Manifold		1	1269732
	Bracket, Manifold		1	1264538
	Guard, Manifold		1	1264539
	Harness, Control		1	1272578
	Harness, Chassis, LH, 155"		1	1272579
	Control Box, Swivel, 65"		1	1272582
	Clamp, Hydraulic Tube		5	1320364
	Fitting, #6 NPT- #6 JIC		2	1260362
	Fitting, 45°, #6 ORG - #6 JIC, MM ST		2	1131609
	Fitting, #6 ORG - #6 JIC, MM ST		4	1260453
	Hydraulic Tube, Bottom, Port 'B'		1	1271180
	Hydraulic Tube, Top, Port 'A'		1	1271179
	Hydraulic Tube, LH Ext, Long, Port 'P'		1	1273216
	Hydraulic Tube, LH Ext, Short, Port 'T'		1	1273217
	Bolt, Hex, 5/16-18 UNC x 1/2 GD 8 ZY		2	1134428
	Bolt, Hex, 5/16-18 UNC x 3-1/4 GD 8 ZY		1	1134461
	Bolt, Hex, 5/16-18 UNC x 3-1/2 GD 8 ZY		1	1134464
	Washer, Flat, 5/16 HDN ZY		4	0120276
	Bulkhead Fitting, 45°, #6JIC - #6 JIC MM ST		2	1131602
	Mounting Bracket, Bulkhead		1	1321877
	Hose, Chassis, 35"		2	1324024
	Hose Ring		1	1136894
	Magnet		2	1322083
	Quick Disconnect, Male, #6 NPT, ZY (New Style Used On Current Production)		1	1273196
	Quick Disconnect, Female, #6 NPT, ZY (New Style Used On Current Production)		1	1273197
	Quick Disconnect, Male, #6 NPT, STL (Old Style Used On Early Production)		1	1143959
	Quick Disconnect, Female, #6 NPT, STL (Old Style Used On Early Production)		1	1143965