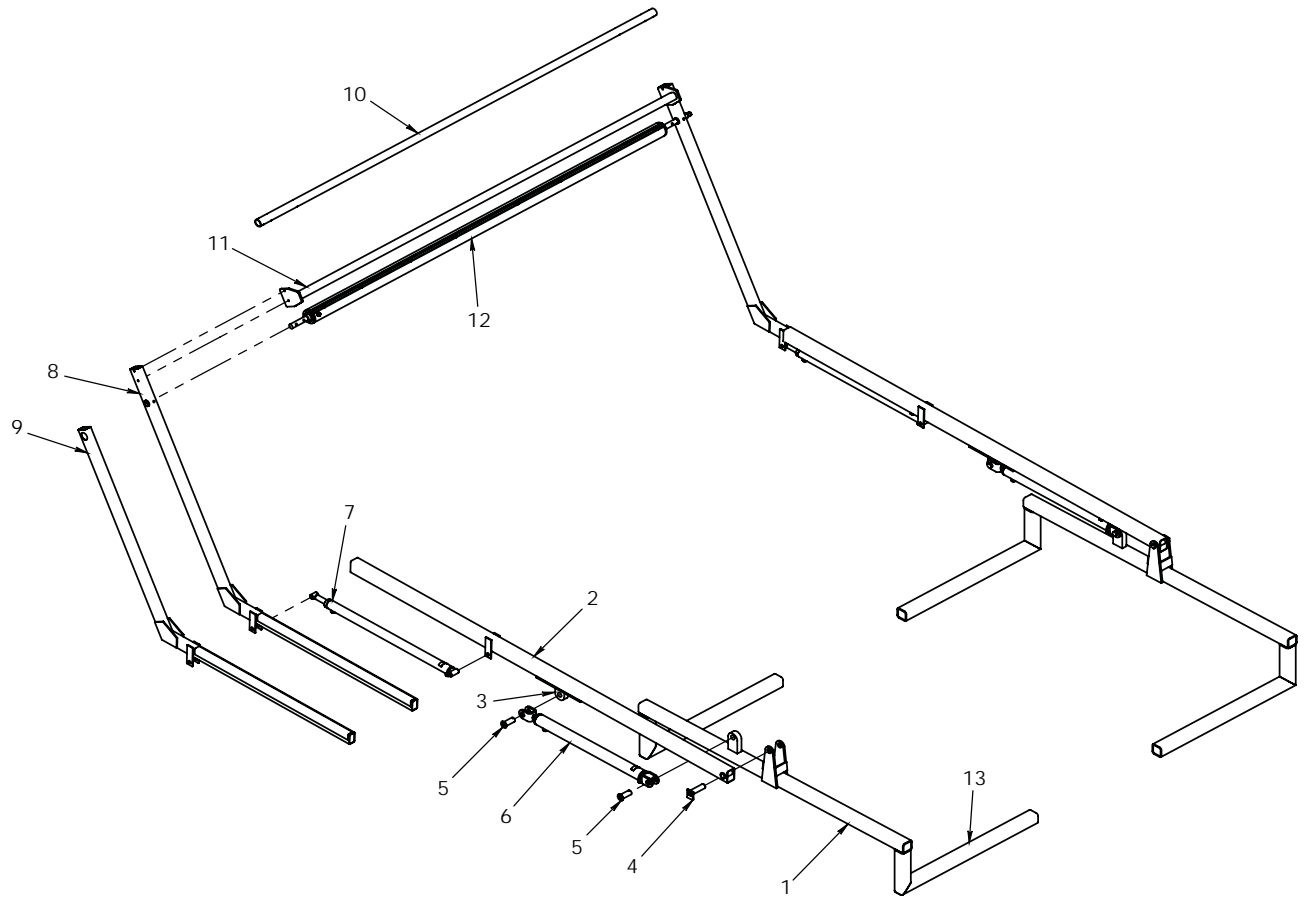


# Pioneer® HR4500 Tarper Cylinder Actuated Pivot System



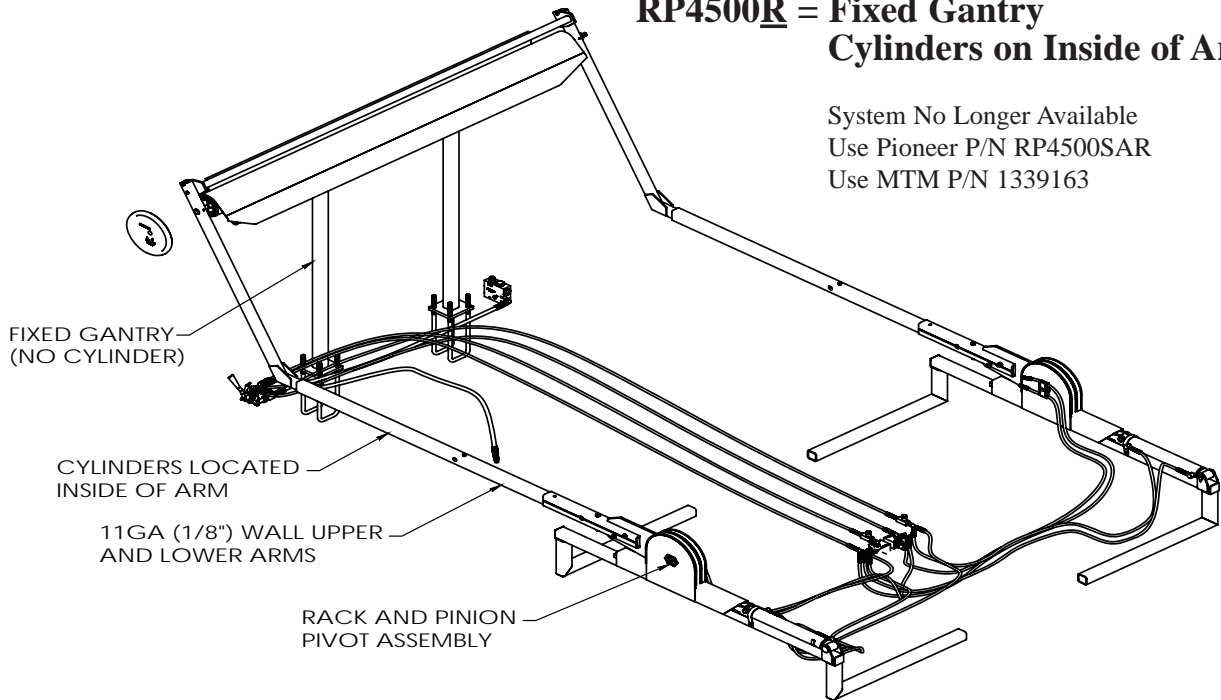
PIONEER®

Item	Description	OEM P/N	MTM P/N
	HR4500RG Tarper Assembly	M-HR4500	N/A
1	Pivot frame weldment	M-HR4548	1414853
2	Base arm (Inc. Item 3)	M-HR4573A	1263164
3	Cylinder lug, replacement	M-HR4590A	1416232
4	Pivot pin	M-H7018	1415368
5	Cylinder Pin	M-H7062	1177961
6	Lift Cylinder	M-H7039	1181011
7	Extend Cylinder,30.00	M-HR4579	1181012
8	Extension Arm(Roller Mounted to Arm)	M-HR4575C	1400525
9	Extension Arm(Roller Mounted to Gantry)	M-HR4575A	1414907
10	Tarp Crossbar(Roller Mounted to Gantry)	M-H7037HR	1415369
11	Stabilizer Bar(Roller Mounted to Arm)	M-HR4753	1145323
12	Universal McNeilus Tarp Roller	M-H7002C	1226992
	OEM Roller Assembly(Roller on Arms)	M-H7002C	1130017
	OEM Roller Assembly(Roller on Gantry)	M-HR7002	1182284
13	Frame Mount Angle Weldment	M-HR4723	1228339

# Pioneer® Rack & Pinion Systems

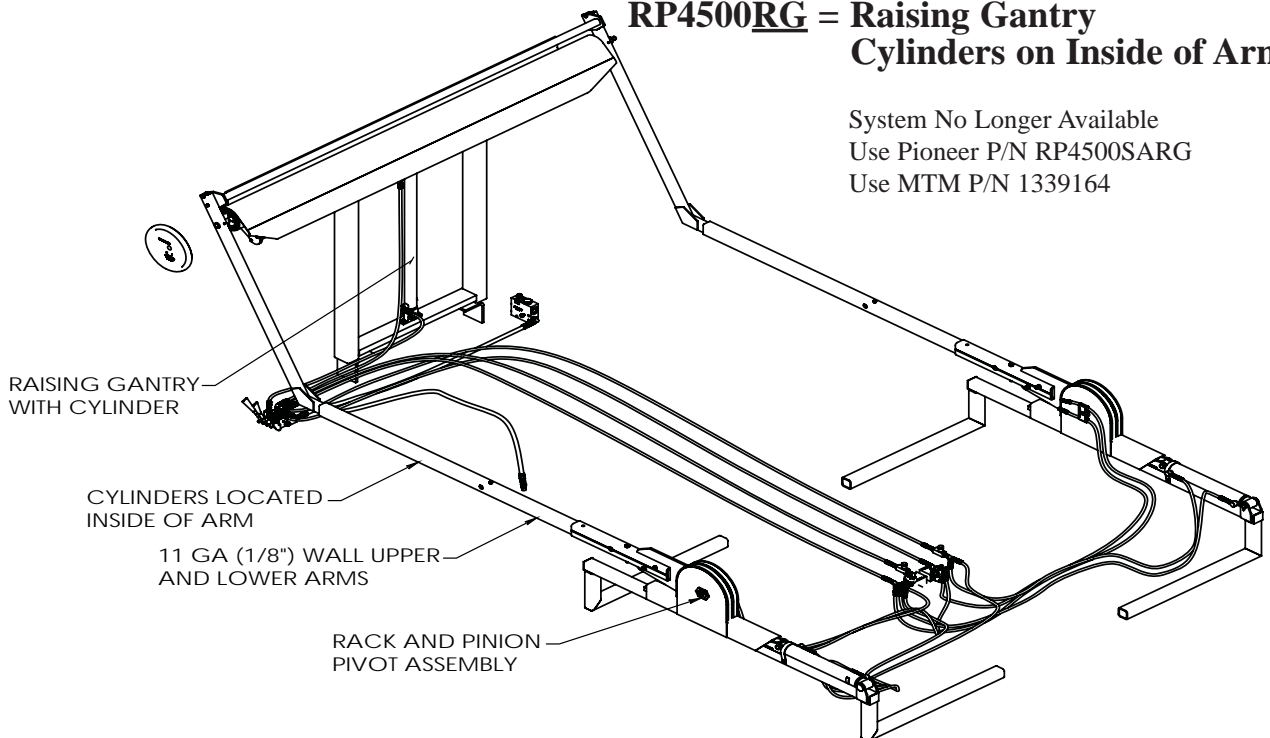
## RP4500R = Fixed Gantry Cylinders on Inside of Arm

System No Longer Available  
Use Pioneer P/N RP4500SAR  
Use MTM P/N 1339163



## RP4500RG = Raising Gantry Cylinders on Inside of Arm

System No Longer Available  
Use Pioneer P/N RP4500SARG  
Use MTM P/N 1339164

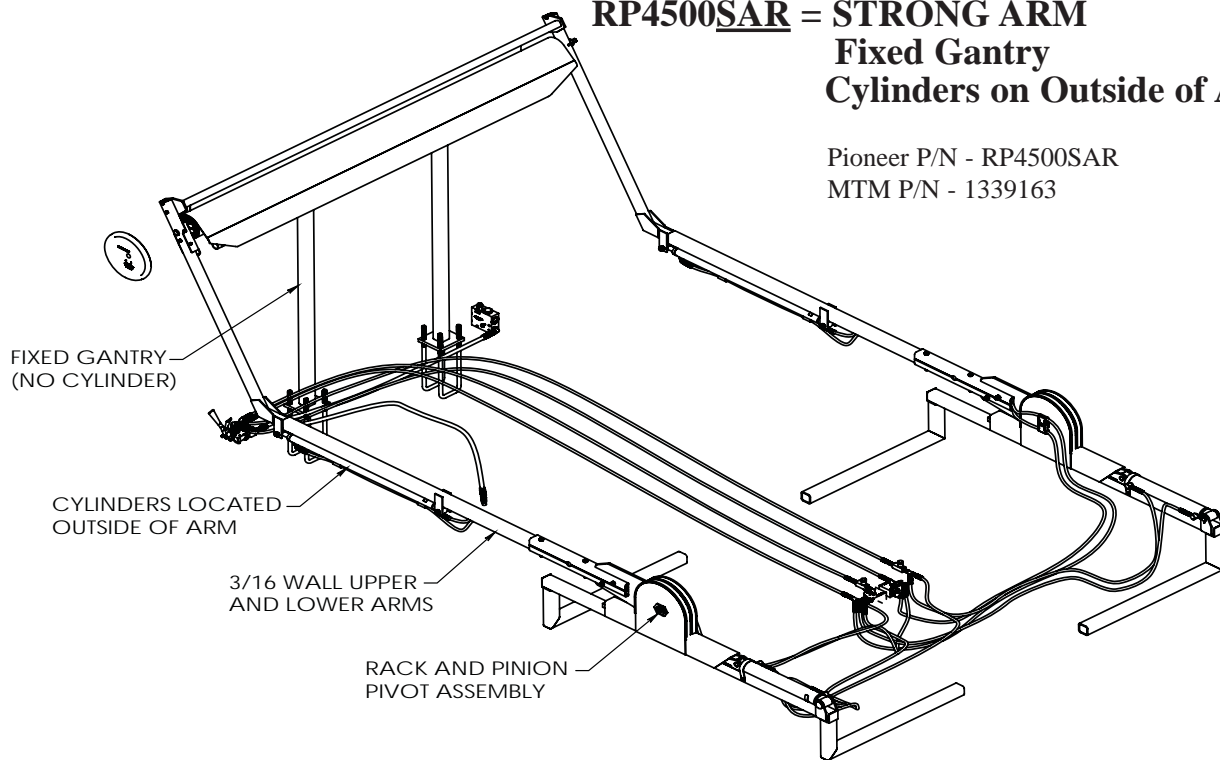


PIONEER®

## Pioneer® Rack & Pinion Systems

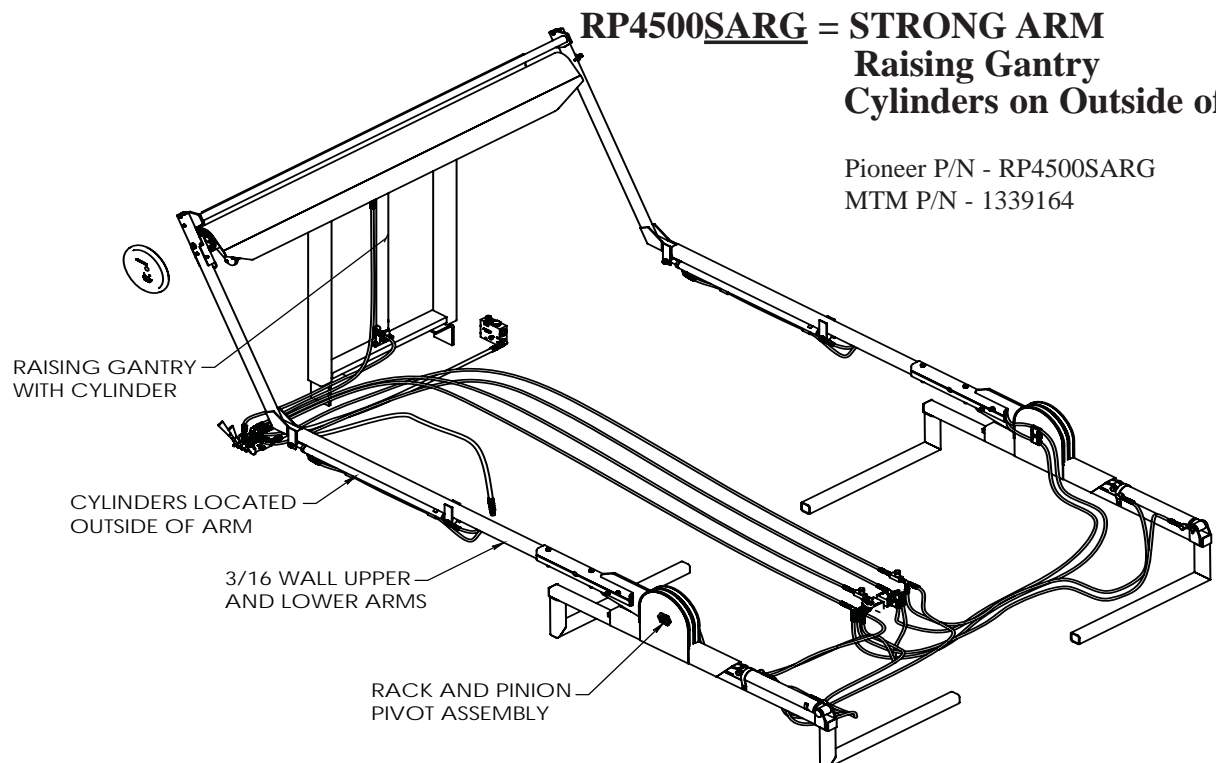
### **RP4500SAR = STRONG ARM Fixed Gantry Cylinders on Outside of Arm**

Pioneer P/N - RP4500SAR  
MTM P/N - 1339163



### **RP4500SARG = STRONG ARM Raising Gantry Cylinders on Outside of Arm**

Pioneer P/N - RP4500SARG  
MTM P/N - 1339164



PIONEER®