

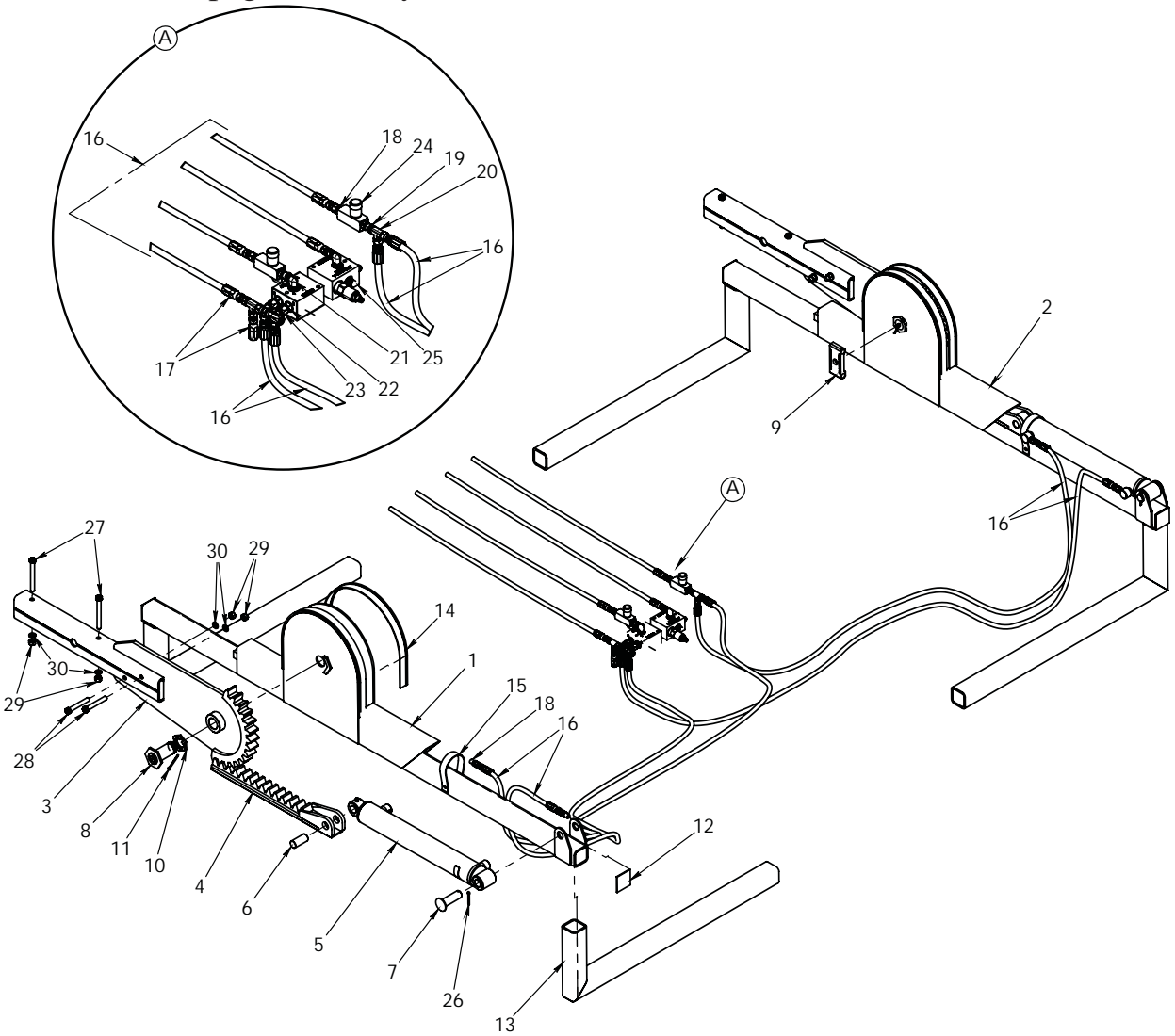
# Pioneer<sup>®</sup> Section

PIONEER<sup>®</sup>

# Pioneer® Rack & Pinion Parts

For Models RP4500SAR \* RP4500SARG \* RP4500R \* RP4500RG

(See Model ID pages to verify)



PIONEER®

Item	Description	OEM P/N	MTM P/N
1	Rack and Pinion Housing Weldment LH	M-A4005A-1	1414485
1	Rack and Pinion Assembly LH(Inc. 1,3-9)	M-HR4762A	1177954
		M-A4005A	
2	Rack and Pinion Housing Weldment RH	M-A4006A-1	1414484
2	Rack and Pinion Assembly RH(Inc. 2-9)	M-HR4761A	1177955
		M-A4006A	
3	Pivot Gear,Base Arm(All)	M-HR4760	1327969
		M-A4004A	
4	Rack Gear(All)	M-A3868B	1177950
5	Pivot Cylinder(All)	M-HR4719	1145325
6	Pivot Cylinder Pin to Rack Gear(All)	M-D18836	1177958
7	Pivot Cylinder Pin Base(All)	M-A3883	1177952
8	Pivot Pin Kit(Inc. 10 and 11)(All)	M-A3881KIT	1177951

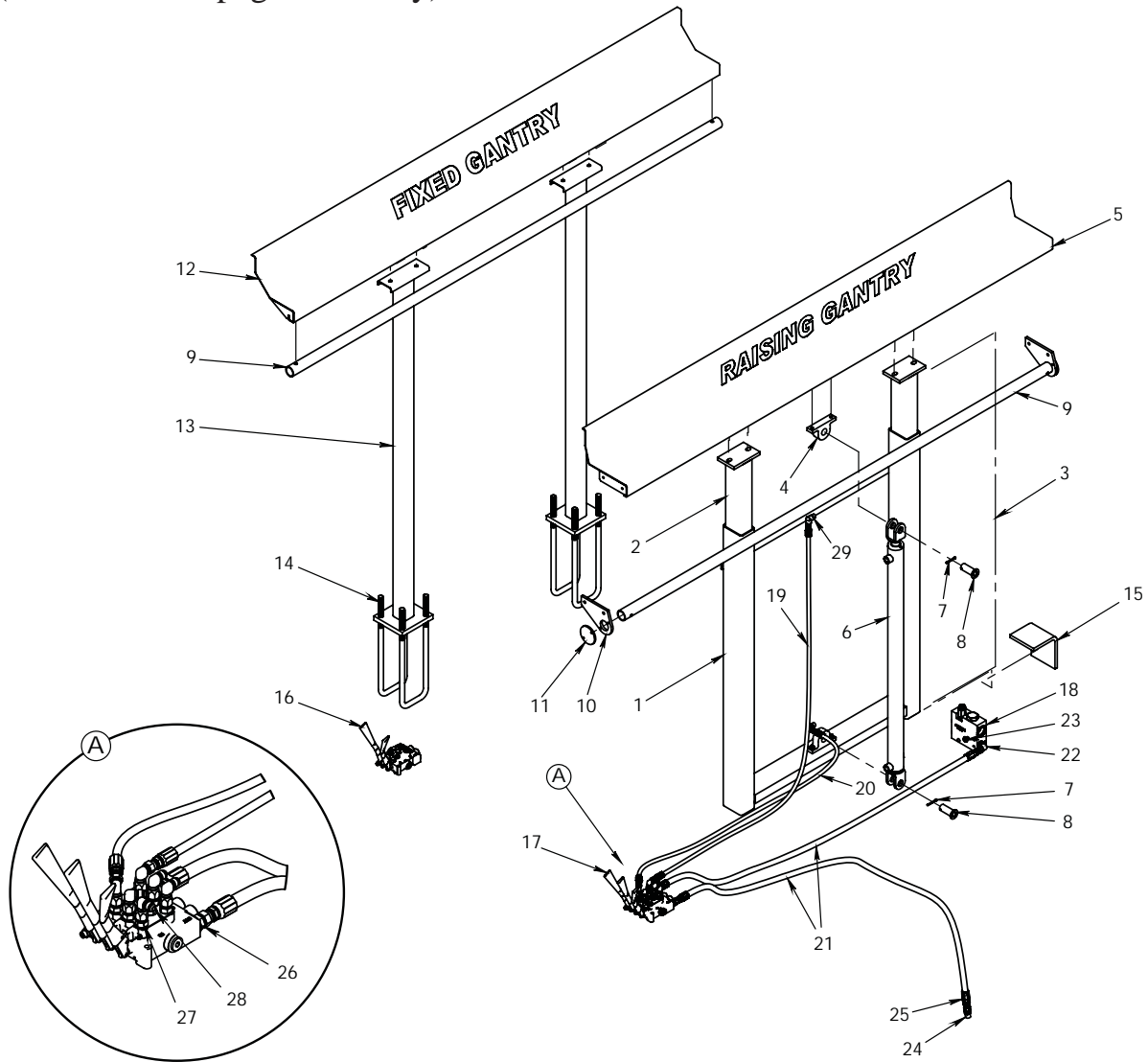
**Pioneer® Rack & Pinion Parts**  
 For Models RP4500SAR \* RP4500SARG \* RP4500R \* RP4500RG  
 (See Model ID pages to verify)

<b>Item</b>	<b>Description</b>	<b>OEM P/N</b>	<b>MTM P/N</b>
9	Pivoting Hose Clamp(All)	M-HR4728	1414616
10	Pivot Pin Castle Retaining Nut	M-HR4785	1265537
11	Cotter Pin 3/16" X 3.00		0602191
12	Housing Cap	M-HR4548A	1414437
13	Frame Mount Angle Weldment	M-HR4723	1228339
14	Rack and Pinion Brush	M-HR4726 M-HR4727	1177973
15	Cylinder Strap	M-HR4731	1274069
16	#4 Hose With #6JIC Crimp One End 14FT.	M-HR4628	1414149
17	Fitting, ST, #6 Reusable	M-HR4685	1414434
18	Fitting, ST, #6NPT - #6JIC MM ST	M-HR4716	1131551
19	Fitting, ST, #6JIC - #6NPT FM ST	M-HR4717	1131538
20	Fitting, Tee, #6JIC - #6JIC - #6JIC MMM ST	M-HR4684	1131593
21	Fitting, 90, #6JIC - #6ORG MM ST	M-HR4681	1260535
22	Fitting, ST, #6JIC - #6ORG MM ST	M-HR4682	1260453
23	Fitting, 90, #6JIC - #6JIC FM ST	M-HR4683	1260562
24	Flow Control, Adjustable	M-HR4718	0620044
25	Flow Divider, 50/50, Adjustable	M-HR7040-1	1177975
26	Cotter Pin 3/16" X 1.50	M-H7063	2CH20
27	Cap Screw, 1/2"-13 X 4.50 G8 ZY		1136761
28	Cap Screw, 1/2"-13 X 3.50 G8 ZY		1136757
29	Washer, Split, .50 X .86 X .12 ZC		0621035
30	Hex Nut, 1/2"-13, G5 ZC		1245124

**PIONEER®**

# Pioneer® Gantry Parts

For Models RP4500SAR \* RP4500SARG \* RP4500R \* RP4500RG \* HR4500  
(See Model ID pages to verify)



PIONEER®

Item	Description	OEM P/N	MTM P/N
1	Raising Gantry Weldment	M-HR4515	1177963
2	Raising Gantry Telescopic Leg Weldment	M-HR4512	1228335
3	Raising Gantry Complete Assembly(Inc. 1&2)	M-HR4511	1412712
4	Gantry Cylinder Clevis	M-H7032	1177960
5	Roll Rest, All Raising Gantry(Inc. 4&5)	M-HR4614A-1 M-HR4505-2	1177969
6	Raising Gantry Cylinder	M-HR4520	1177965
7	Gantry Cylinder Pin	M-H7062	1177961
8	Cotter Pin 3/16" X 1.50	M-H7063	2CH20
9	Tarp Tube 90 5/8"	M-HR4758-2	1414436
10	Tarp Tube Bracket	M-HR4756	1412641
11	Tarp Tube Bracket Cap	M-HR4757	1412642

**Pioneer® Gantry Parts**  
 For Models RP4500SAR \* RP4500SARG \* RP4500R \* RP4500RG \* HR4500  
 (See Model ID pages to verify)

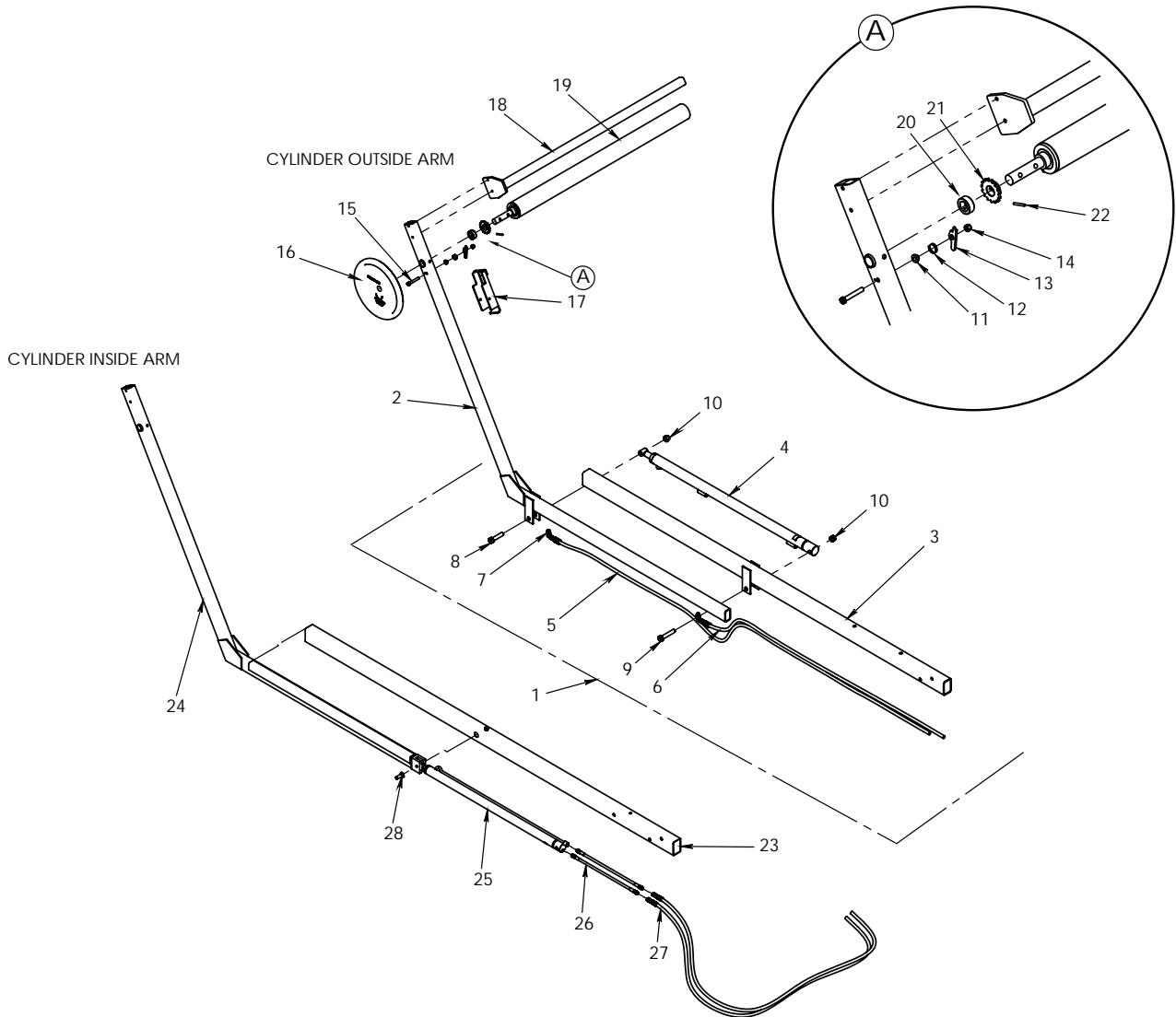
Item	Description	OEM P/N	MTM P/N
12	Roll Rest, All Fixed Gantry	M-HR4614 M-HR4614-2	1177962
13	Fixed Leg Weldment	M-HR4610	1414442
14	U-Bolt For Fixed Leg Gantry	M-HR4613	1414618
15	Gantry Mounting Chassis Angle	M-HR4519	1177964
16	Hand Valve, 2 Spool, New Style	M-HR4535 M-HR4542	1403425
17	Hand Valve, 3 Spool, New Style	M-HR4535A M-HR4542A	1177967
18	Flow Diverter Valve, New Style	M-HR2055-1	1182012
19	#4 Hose With #6JIC Crimp 9FT	M-HR4562A	1414655
20	#4 Hose With #6JIC Crimp 6FT	M-HR4563	1414654
21	#8 Hose With #6JIC Crimp 6FT	M-HR4720	1414153
22	Fitting, 90, #8JIC - #8ORG MM ST	M-HR2021	1260539
23	Plug #4 ORG ST	M-HR2057	1260625
24	Fitting, ST, #8JIC - #8NPT MM ST	M-HR4722	1260365
25	Fitting, ST, #8 Reuseable	M-HR4721	8KP804
26	Fitting, ST, #8JIC - 6ORG MM ST	M-HR4729	1131581
27	Fitting, ST, #6JIC - #6ORG MM ST	M-HR4682	1260453
28	Fitting, 90, #6JIC - #6JIC FM ST	M-HR4683	1260562
29	Fitting, 90, #6JIC - #6JIC MM ST	M-H7048	1260406

PIONEER®

# Pioneer® Extension Arm Parts

For Models RP4500SAR \* RP4500SARG \* RP4500R \* RP4500RG

(See Model ID pages to verify)



PIONEER®

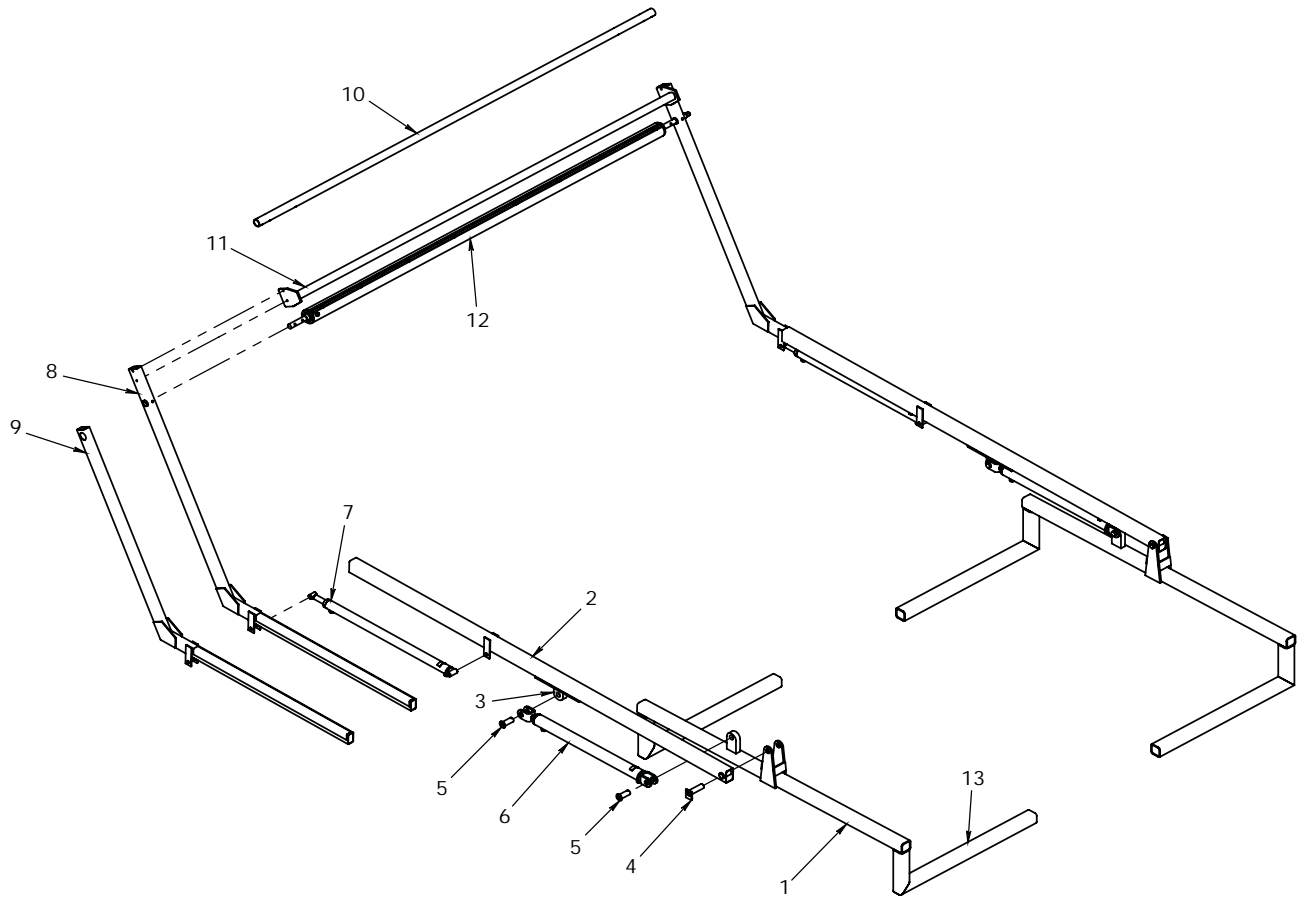
Item	Description	OEM P/N	MTM P/N
1	Arm Assembly Complete DR Side(Inc. 2-15) Arm Assembly Complete Pass Side(Inc. 2-10)	HR4766L HR4766R	1395600 1395601
2	Arm Extension, Strong Arm(Cyl Outside)	M-HR4751	1327967
3	Arm Base, Strong Arm(Cyl Outside)	M-HR4750	1327966
4	Cylinder Strong Arm 36.00(Cyl Outside)	M-HR4752	1327968
5	#4 Hose With #6JIC Crimp One End 19FT (Wrap)	M-HR4585	1414144
6	#4 Hose With #6JIC Crimp One End 16FT (Wrap)	M-HR4584	1414146
7	Fitting, 90, #6JIC - #6ORG MM ST	M-HR4681	1260535
8	Cap Screw, 5/8"-11 X 2.75 G8 ZY		1136866
9	Cap Screw, 5/8"-11 X 3.25 G8 ZY		1136869
10	Hex Nut, Lock 5/8"-11, GC ZC		0005341
11	Spacer, Ratchet Gear	M-HR4787	1414182

**Pioneer® Extension Arm Parts**  
 For Models RP4500SAR \* RP4500SARG \* RP4500R \* RP4500RG  
 (See Model ID pages to verify)

<b>Item</b>	<b>Description</b>	<b>OEM P/N</b>	<b>MTM P/N</b>
12	Spring, Ratchet Gear	M-HR4786	1414181
13	Latch, Ratchet Gear	M-HR4788	1414179
14	Hex Nut, Lock 3/8"-16, GC ZC		0120177
15	Cap Screw, 3/8"-16 X 2.50 G5 ZC		1134549
16	Winding Disk To Preload Roller	M-HR4780-1	1130016
17	Ratchet Guard	M-HR4789	1414175
18	Stabilizer Bar Assembly(All Models)	M-HR4753	1145323
19	Universal Roller Assembly(Roller on Arms)	M-H7002C	1226992
	OEM Roller Assembly(Roller on Arms)	M-H7002C	1130017
	OEM Roller Assembly(Roller on Gantry)	M-H7002	1182284
20	Collar, Roller Shaft	M-HR4624	1145327
21	Ratchet Gear	M-HR2010	1414703
22	Roll Pin, .19 X 1.50 UF	M-HR2026	1245608
23	Arm Base(Cylinder Inside Arm)	M-HR4712	1145321
24	Arm Extension(Cylinder Inside Arm)	M-HR4713	1145320
25	Cylinder Extension 30.00(Cylinder Inside Arm)	M-HR4710	1145324
26	#4 Pigtail Hose, #4ORG, #4JIC 1-1/2"FT	M-HR4692	1177970
27	#4 Hose With #4JIC Crimp One End 16FT	M-HR4691	1227572
28	Flat Socket Screw, 1/2"-13 X 1.50 835 BO	M-HR4741	1177999

**PIONEER®**

# Pioneer® HR4500 Tarper Cylinder Actuated Pivot System



PIONEER®

Item	Description	OEM P/N	MTM P/N
	HR4500RG Tarper Assembly	M-HR4500	N/A
1	Pivot frame weldment	M-HR4548	1414853
2	Base arm (Inc. Item 3)	M-HR4573A	1263164
3	Cylinder lug, replacement	M-HR4590A	1416232
4	Pivot pin	M-H7018	1415368
5	Cylinder Pin	M-H7062	1177961
6	Lift Cylinder	M-H7039	1181011
7	Extend Cylinder,30.00	M-HR4579	1181012
8	Extension Arm(Roller Mounted to Arm)	M-HR4575C	1400525
9	Extension Arm(Roller Mounted to Gantry)	M-HR4575A	1414907
10	Tarp Crossbar(Roller Mounted to Gantry)	M-H7037HR	1415369
11	Stabilizer Bar(Roller Mounted to Arm)	M-HR4753	1145323
12	Universal McNeilus Tarp Roller	M-H7002C	1226992
	OEM Roller Assembly(Roller on Arms)	M-H7002C	1130017
	OEM Roller Assembly(Roller on Gantry)	M-HR7002	1182284
13	Frame Mount Angle Weldment	M-HR4723	1228339

## Pioneer® Tarps and Misc Parts

### Tarps and Misc Parts

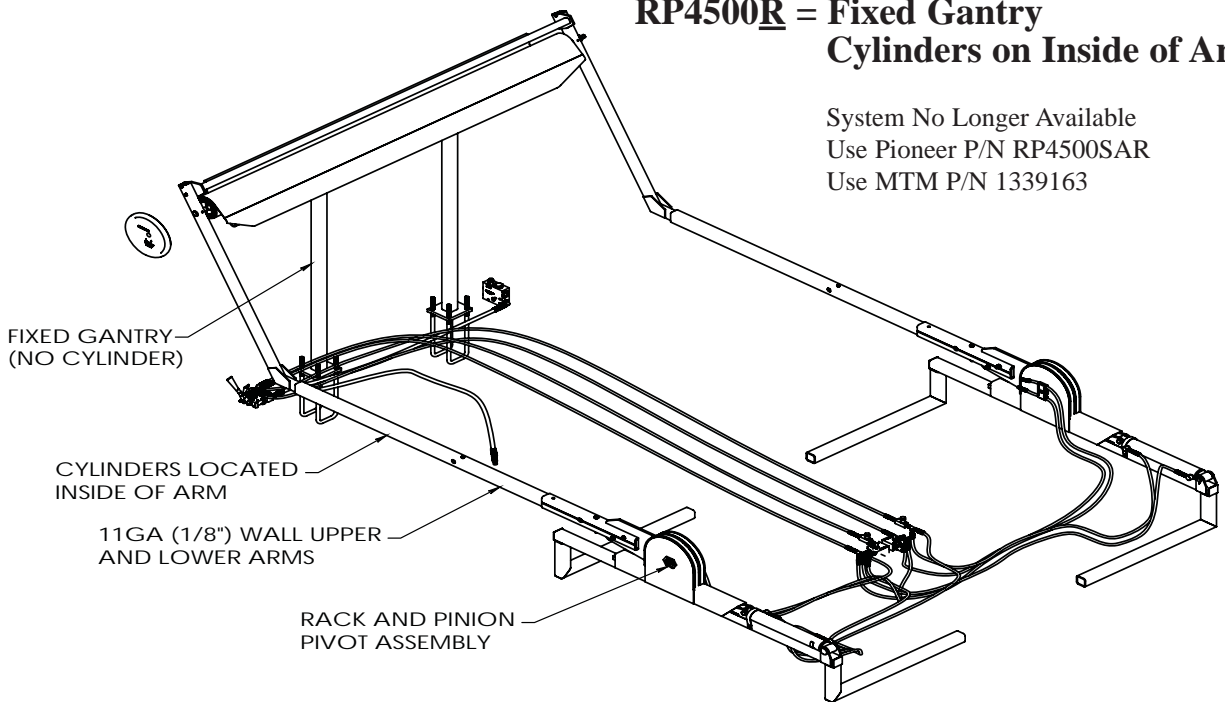
Universal Tarp For All Rack & Pinion Models	HR4759	1145123
12' X 18' Pioneer Tarp	M-AM1218R	1177926
12' X 26' Pioneer Tarp	M-AM1226R	1145122
12' X 28' Multi Mesh Tarp (same as 1145122 except 28' long)		1182106
5' X 7' Multi Mesh Diaper (compactor cover)		1182121
5' X 8' Pioneer Diaper (compactor cover - same as 1182121 but 8')	M-AM58CC	1145124
8' X 28' Straight Cut Tarp (same as 1145213 except rect with loop)		1182107
9' 6" x 28" Universal Mesh Auto Tarp (cut to 7' at ends of tarp)	AM4616	1145123
12' X 48' Mesh Tarp		1182108
12' X 48' Mesh Tarp (trailer cover)		1182109
100" X 28' Pioneer Mighty Mesh Tarp	M-C8183	1227657
9" Tarp Strap		1182285
15" Tarp Strap		1182286
21" Tarp Strap		1182287
31" Tarp Strap		1182288
41" Tarp Strap		1182289

PIONEER®

# Pioneer® Rack & Pinion Systems

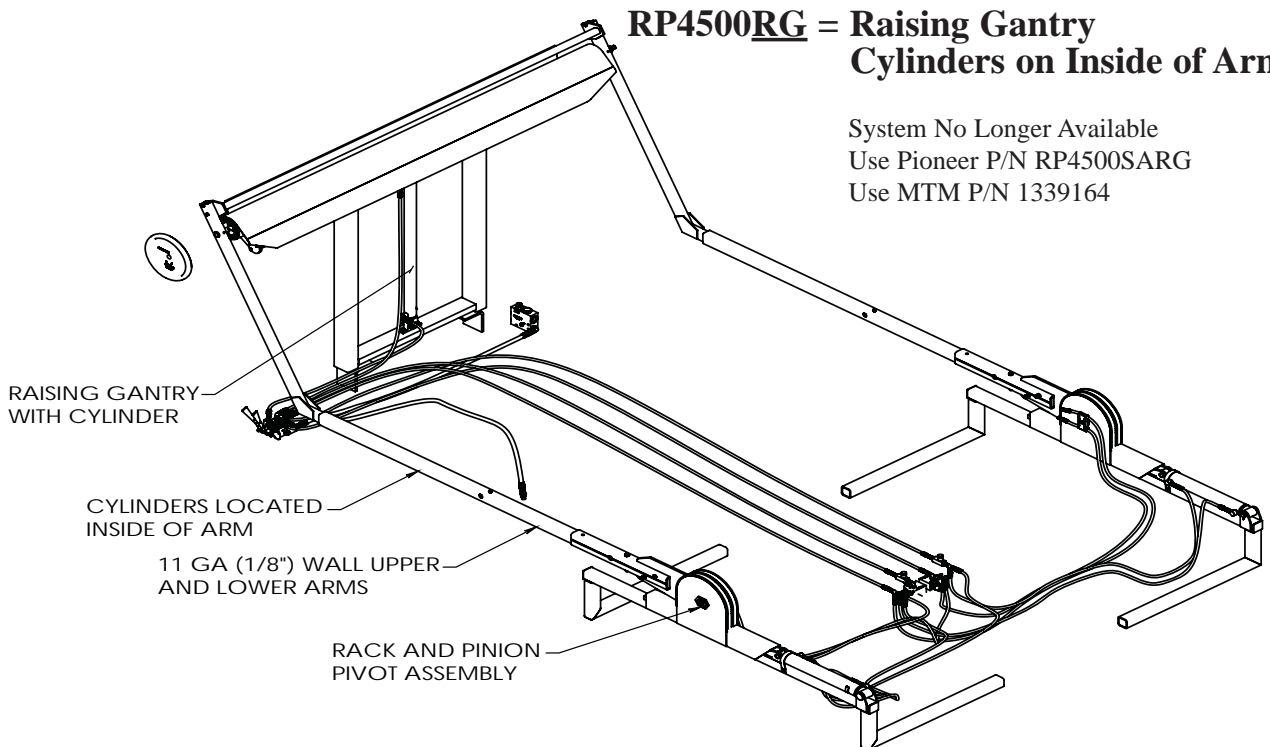
## RP4500R = Fixed Gantry Cylinders on Inside of Arm

System No Longer Available  
Use Pioneer P/N RP4500SAR  
Use MTM P/N 1339163



## RP4500RG = Raising Gantry Cylinders on Inside of Arm

System No Longer Available  
Use Pioneer P/N RP4500SARG  
Use MTM P/N 1339164

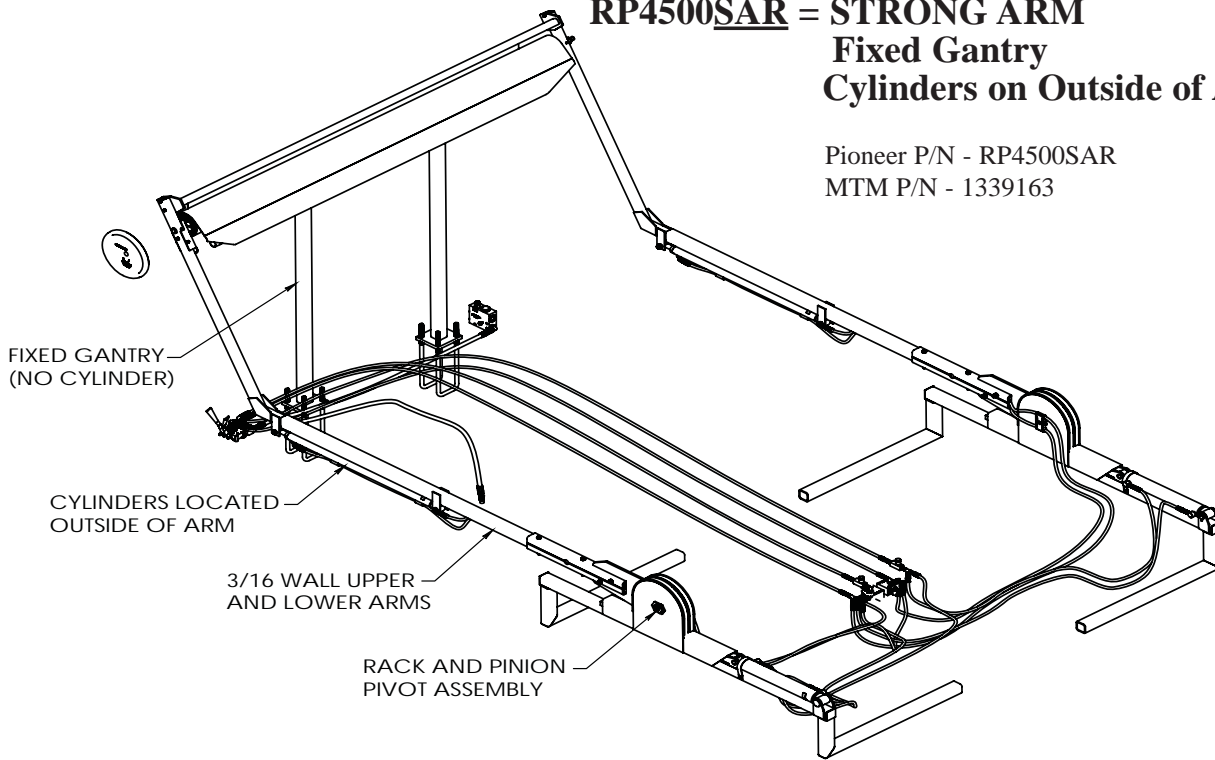


PIONEER®

# Pioneer® Rack & Pinion Systems

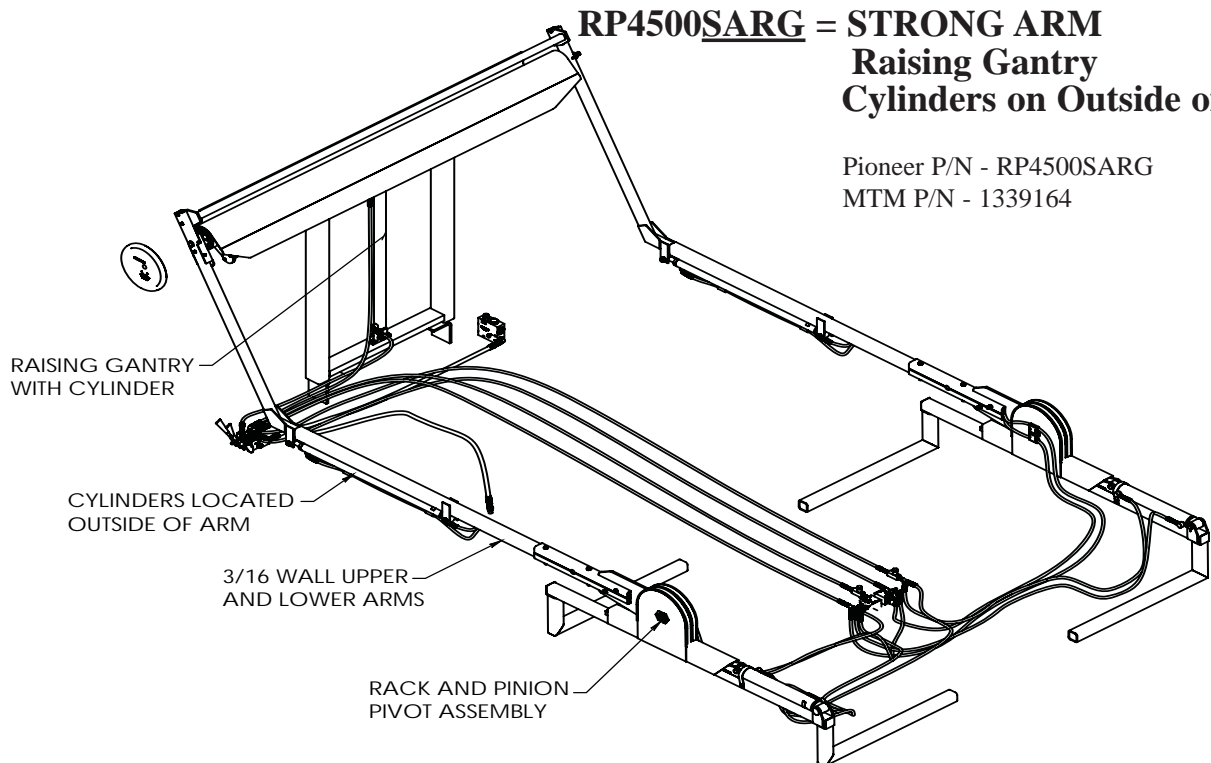
## RP4500SAR = STRONG ARM Fixed Gantry Cylinders on Outside of Arm

Pioneer P/N - RP4500SAR  
MTM P/N - 1339163



## RP4500SARG = STRONG ARM Raising Gantry Cylinders on Outside of Arm

Pioneer P/N - RP4500SARG  
MTM P/N - 1339164



PIONEER®