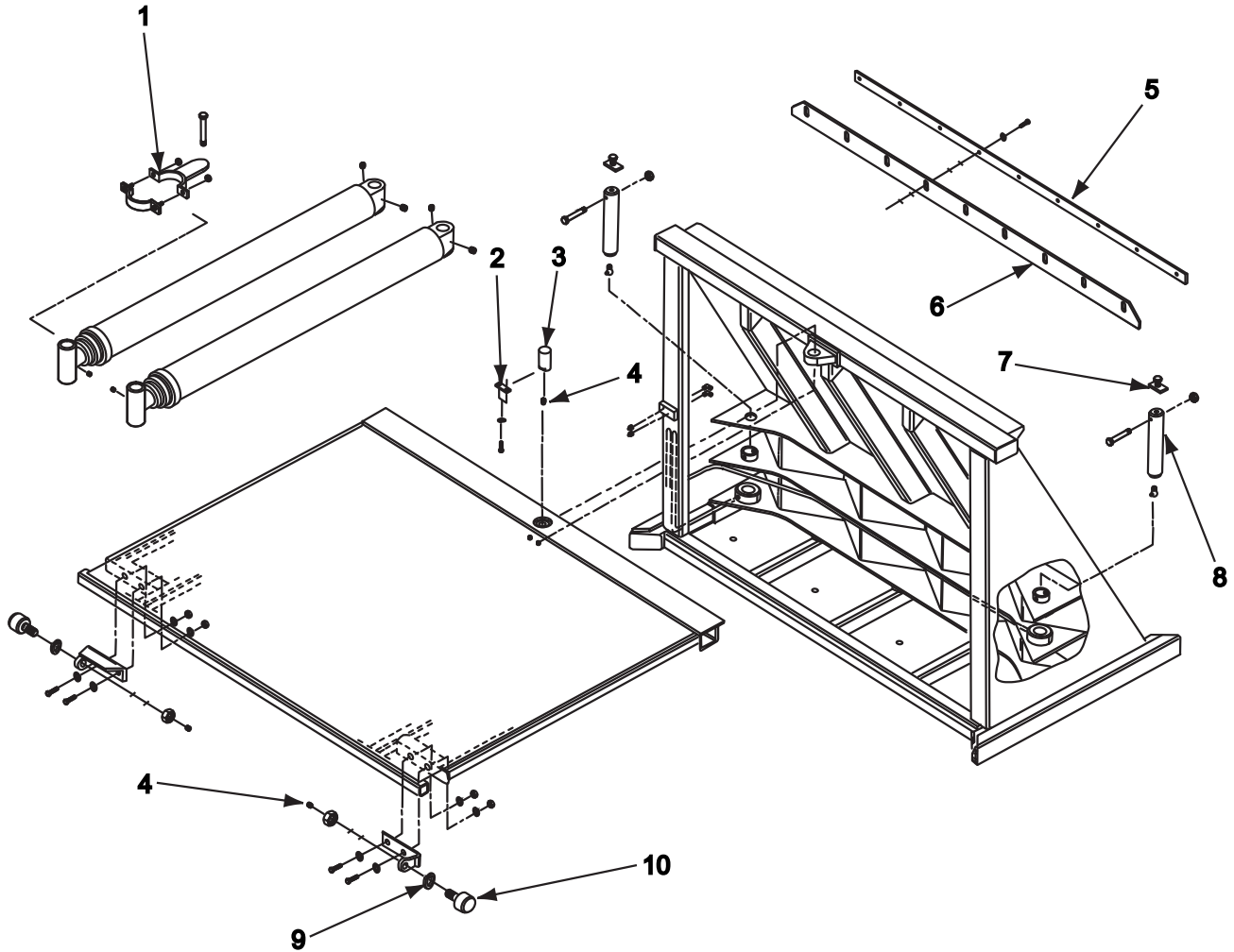


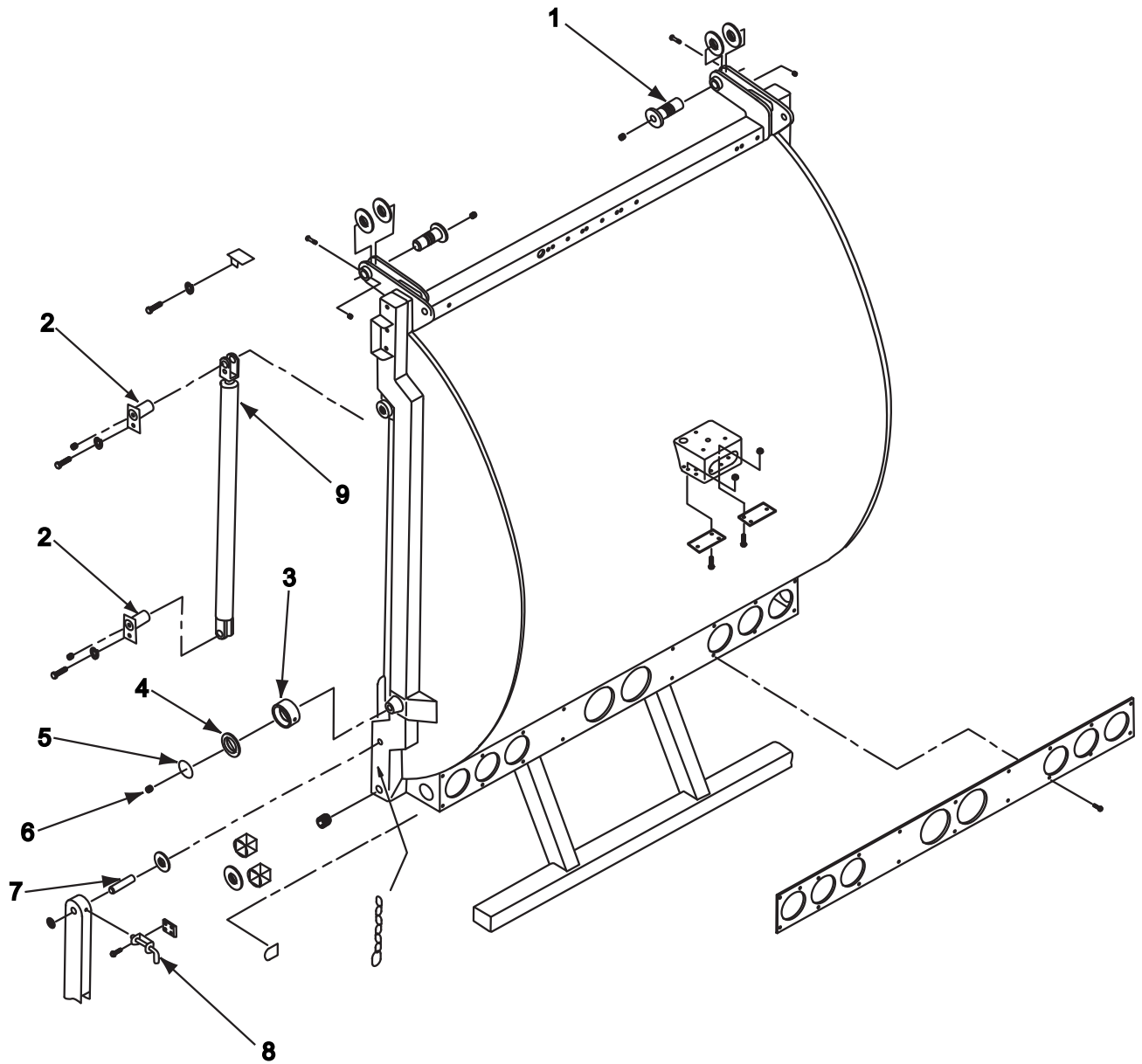
Wittke® 2/3 Packer Blade / Follower



Item	Description	OEM P/N	MTM P/N
1	Limit Switch Actuator	M-FL03-S05	1228938
2	Pin Retainer	M-FL29-012	1227113
3	Swivel Pin	M-FL52-001	1227114
4	1/8" NPT Straight Grease Fitting	M-400-9-0610	020.82208
5	Rubber Holding Strip	M-FL69-006	1227117
6	Rubber Scraper	M-FL69-007	1227116
7	Pack Cylinder Pin Retainer	M-PACK-S01	1227112
8	Pack Cylinder Base End Pin	M-FL50-027	1227111
9	Cam Follower Spacer	M-FL52-022	1227115
10	Cam Follower	M-400-5-0048	1221635

WITTKER®

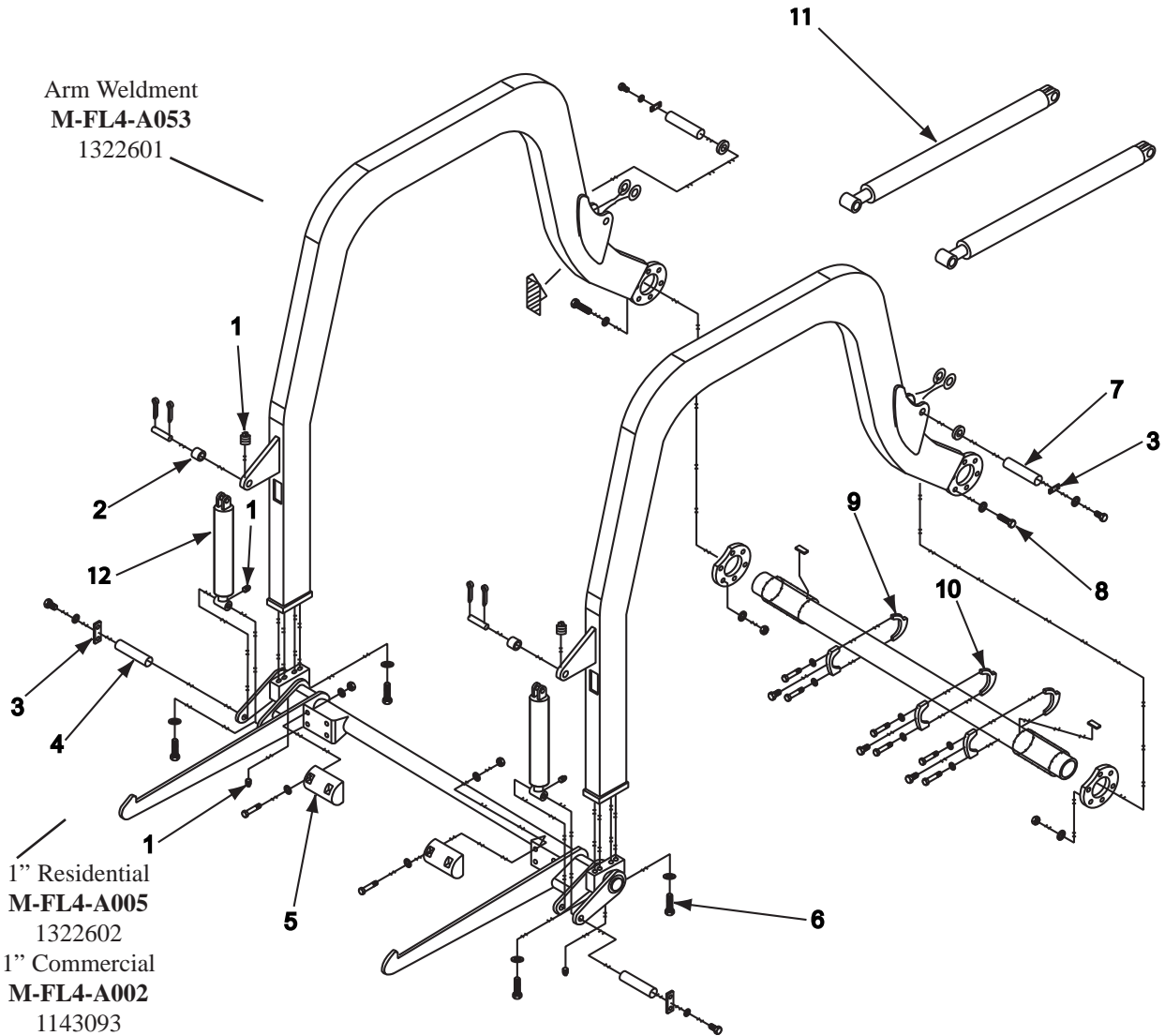
Wittke® Tailgate



WITTKER®

Item	Description	OEM P/N	MTM P/N
1	Tailgate Hinge Pin	M-FL09-017	1228939
2	Tailgate Cylinder Pin	M-FL09-S5	1227119
3	Inner Race	M-400-5-4424	1228925
4	Retainer	M-FL09-013	1227118
5	Snap Ring	M-400-5-1500	1228919
6	1/8" NPT Straight Grease Fitting	M-400-9-0610	020.82208
7	Pivot Pin	M-FL35-019	1227120
8	Spring Latch	M-400-3-9117	1228918
9	Tailgate Cylinder	M-010-9901	1151217
10	Lock Valve (Not Shown)	M-100-2-0209	1228895

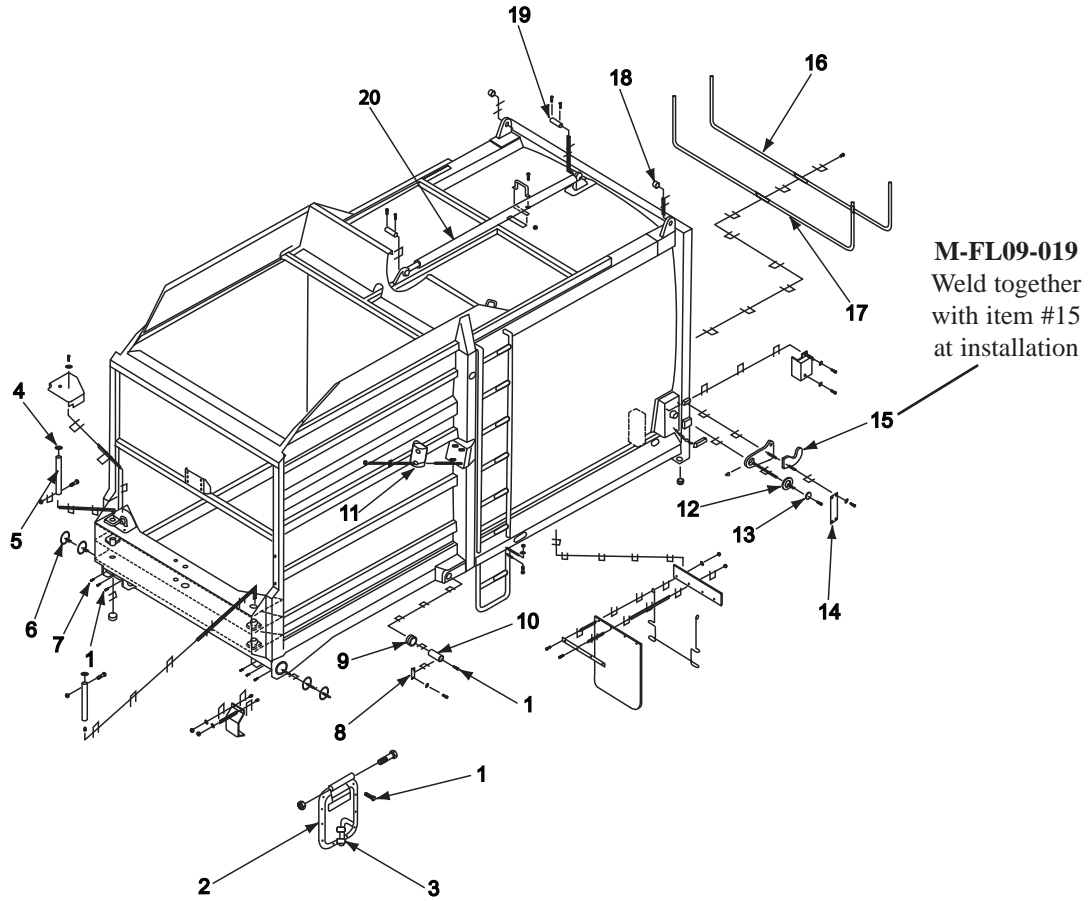
Witke® Arms / Fork



Item	Description	OEM P/N	MTM P/N
1	1/8" NPT Straight Grease Fitting	M-400-9-0610	020.82208
2	Inner Race	M-400-5-2016	9820.620809
3	Pin Retainer	M-FL29-012	1227113
4	Fork Cylinder Pin - Rod End	M-FL29-010	1227109
5	Bumper	M-FL29-015	1109008
6	1" UNC X 6" Gr L9 Bolt	M-400-6-0600	
7	Arm Cylinder Pin - Rod End	M-FL07-031	1227106
8	7/8" UNC X 3 1/2" Gr 8 Bolt	M-FL07-041	
9	Cam for Decel Valve	M-FL01-029	1228934
10	Cam Limit Switch	M-FL01-031	1228935
11	4" Arm Cylinder	M-016-9900	1151218
	4 1/2" Arm Cylinder	M-018-9900	1151219
12	Fork Cylinder	M-014-9900	1151220
	Adjustable Fork Cylinder	M-FLHC-37	1321094

WITKE®

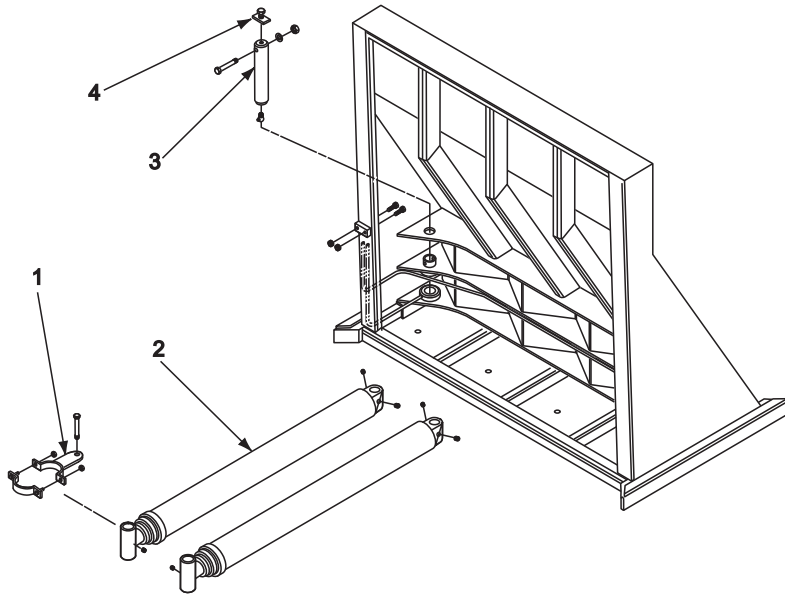
Wittke® Body Assembly



Item	Description	OEM P/N	MTM P/N
1	1/8" NPT Straight Grease Fitting	M-400-9-0610	020.82208
2	Clean Out Door Seal	M-400-3-4478	1228917
3	Clean Out Door Latch	M-400-3-9117	1228918
4	Cylinder Pin Retainer Washer	M-FL03-035	1228936
5	Packer Cylinder Pin - Front Head	M-FL03-008	1227110
6	O-Ring	M-400-5-2425	1228924
7	1/8" NPT 90 Degree Grease Fitting	M-400-9-0613	1147855
8	Pin Retainer	M-FL29-012	1227113
9	Bearing	M-400-5-1524	1228920
10	Arm Cylinder Pin	M-FL07-010	1227108
11	Bumper	M-FL29-015	1109008
12	Hook Retainer	M-FL09-024	1228940
13	Snap Ring	M-400-5-1750	1228921
14	Hook Cover Plate	M-FL09-027	1228941
15	Tailgate Hook	M-FL09-018	1261381
16	Seal Retainer	M-FS6-0058	1228942
17	Tailgate Seal -6231061 can also be used(smaller profile,14.5' long)	M-400-2-0051 see tailgate seal section	9840.623758
18	Inner Race	M-400-5-2416	1228923
19	Top Door Cylinder Pin	M-FL08-012	1227107
20	Top Door Cylinder	M-010-9902	1151216

WITTKER®

Wittke® Ejector



Wittke® Mist/Filter Assembly
M-300-1-1623

1226973

Wittke® Mist Filter Assembly
M-300-1-1621

1228913

Wittke® Filter Assembly
M-300-1-1622

1239965

Wittke® Mist Filter Element
M-300-1-5548

1230200

Wittke® Filter Element
M-300-1-5160

1230199

Item	Description	OEM P/N	MTM P/N
1	Limit Switch Activator	M-FL03-S05	1228938
2	Packer Cylinder - 38YD	M-095-6024-2	1164534
	Packer Cylinder- 40YD	M-095-6029-2	1164535
	Packer Cylinder - 44YD	M-095-6038-0	1164536
3	Packer Cylinder Pin - Base End	M-FL50-027	1227111
4	Cylinder Pin Retainer	M-PACK-S01	1227112
	Dump Body Valve (Not Shown)	M-100-5-0303	1228897
	Dump Body Valve Cartridge (Not Shown)	M-100-5-0302	
	Pressure Switch (Not Shown)	M-200-20-2250	1228906

Pneumatics

Description	OEM P/N	MTM P/N
2 Bank Joystick	M-300-4-2004	1108116
Single Bank Joystick	M-300-4-0300	1228880
Standard Joystick	M-300-5-0225	1130005
Air Actuator	M-100-1-0213	9170.614150
Quick Exhaust Valve	M-300-2-1590	1227168
Air Mac Valve - Stand Alone	M-200-4-0552	1228006
Air Mac Valve - Bank	M-200-4-0602	1226979
Air Cylinder	M-300-3-3349	9870.620089

WITTKER®

Wittke® Miscellaneous Parts

Description	OEM P/N	MTM P/N
Limit Switch Body	M-200-1-1001	1227121
Limit Switch Contact Block	M-200-1-2151	1227122
Limit Switch Head	M-200-1-1002	1227123
Limit Switch Arm - Rigid	M-200-1-1003	1227124
Limit Switch Arm - Spring	M-200-1-1004	1227125
Access Door Limit Switch	M-200-1-1111	1227126
Green Push Button	M-200-1-1007	1228901
N/O Contact Block	M-200-1-1008	9860.600153
Black Push Button	M-200-1-1010	1228902
Electric/Air Mac Valve	M-200-4-0602	1226979
15A Auto Reset Breaker	M-200-3-5515	1228908
50A Auto Reset Breaker	M-200-3-5550	
Pressure Switch	M-200-20-2250	1228906
E-Stop Button	M-200-1-1012	1228903
N/C Contact Block	M-200-1-1009	9860.600152
Amber Push Button	M-200-1-1005	1228899
N/O Pilot Module	M-200-1-1006	1228900
Back-Up Alarm	M-200-5-7083	1228911
Timer	M-200-1-1014	1228008
12V Relay	M-200-1-1013	1228009
15 AMP Circuit Breaker	M-200-3-5815	1182110
25 AMP Circuit Breaker	M-200-3-5825	1182111
Air Valve	M-200-4-0552	1228006
Pump Solenoid	M-100-15-5874	1228894
Ignition Solenoid	M-200-5-4059	1228909
Toggle Switch (On/Off)	M-200-3-5582	1227100
Toggle Switch	M-200-3-5021	1227102
Toggle Switch	M-200-3-5586	1227095
Triple Joystick	M-300-4-0100	1108115
Dual Joystick	M-300-4-2004	1108116
Major rebuild kit for P/N 1108115 & 1108116	M-D02-DAV1221MJRE	1324330
Minor rebuild kit for P/N 1108115 & 1108116	M-D02-DAV1221MNRE	1324331
Repair Kit - Upper Handle - Joystick	D24-DAV1221UH	1324332



Wittke® Site Gauge
M-100-11-2913
1182280



Wittke® Suction Strainer
M-100-7-1012
1228898



Wittke® Arm Pad
M-625-0007
1226970

WITTKE®

Wittke® Miscellaneous Parts



Wittke® Decel Valve
M-100-1-0115
1228889



Fork / Arm Bumper
3 7/8" X 5 3/4" X 7 3/4"
M-FL29-015
1109008



Access Door Switch
M-FL8-A611
1228966



Adjustable Limit Switch
M-E09-0270
1228629



Limit Switch Body
M-200-1-1001
1227121



Limit Switch Actuator
M-FL03-S2
1228632



Temperature Switch
M-E09-0120
1228931



Limit Switch Head
M-200-1-1002
1227123



Pressure Switch
M-200-20-2250
1228906



Access Door Prox Switch
M-E09-0186 / M-E09-0786
1228637



Prox Switch
M-E09-0282
1181007

WITTKER®

Wittke® Miscellaneous Parts



Wittke® Filter Assembly
M-100-20-0010
 1182281
 Filter Element
M-100-20-0103
 1137725
 Pop up restriction indicator
M-H10-0174
 1318910
 Rnd gasket for filter head
M-S16-0645
 Seal kit
M-S16-0040

Wittke®	McNeilus Replacement	Element Description
003-R-010BNHC	1108722	Cartridge Hydraulic Element (Synthetic w/ Built In Bypass)
Wix, UCC, Donaldson, or Lenz Hyd. Air Breather	9857.623454	Breather w/ Flange
M-S16-0561	1108711	10 Micron Paper

WITTKE®

Wittke® P/N	MTM P/N	Description
M-010-9901-4	1151217	FL Tailgate Cylinder
M-010-9902	1151216	FL Top Door Cylinder
M-014-9627-0	1180874	Wittke Fork Cylinder
M-014-9900-4	1151220	FL Fork Cylinder
M-016-9900	1151218	FL 4" Arm Cylinder
M-018-9900-4	1151219	FL 4 1/2" Arm Cylinder
M-020-9900-0	1260806	MSL Packer Cylinder
M-095-1053	1151215	Body Hoist Cylinder
M-095-6024-2	1164534	38 YD FL Ejector Cylinder
M-095-6029-2	1164535	40 YD FL Ejector Cylinder
M-095-6038-0	1164536	44 YD FL Ejector Cylinder
M-FL7-A066	1180873	Wittke HD Fork Cylinder

Wittke® Miscellaneous Parts

Leach® & Wittke® Seals



Heavy Duty Seal - 3/8" Thick
 16.5' long - 9869.623758
M-601675
M-713217
M-400-2-0051
 14.5' long - 9869.623088
 HD of std Leach seal
M-10072HD

Wittke® Hydraulics



All listed below are replaced by
 0126192
 Heil® Inlet Main Relief
M-031-3231-030
 1130902
 EZ Pack® Inlet Main Relief
M-2104601
M-2101086
 1180245
 Wittke® Inlet Main Relief
M-100-1-1702
 1180246



VA35 Standard Inlet w/ Plug
M-031-3432
 9070.605714
 Heil® Inlet w/ Relief Valve Assy
M-031-3231-002
 EZ PAK® Inlet w/ Relief Valve
 Assy
M-2104598
 Wittke® Inlet w/ Relief Valve
 Assy
M-100-1-1701

When ordering Inlet Assemblies
 use a Standard inlet # w/
 corresponding Relief Valve #

WITTKE®

1-877-722-5686 Direct Line

www.streetsmartparts.com

WITTKE®