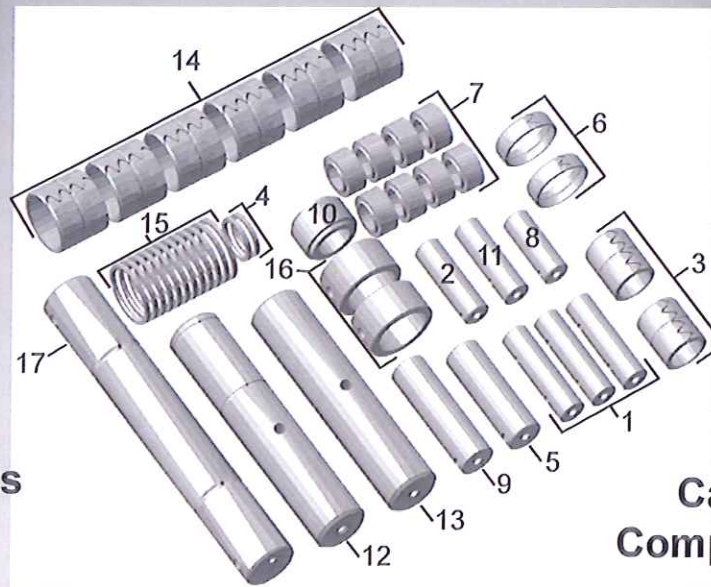


McNeilus replacement for the Heil® Python Pin, Bearing and Seal kit #372-3684 MTM # 1404103



Quality!
Meets or Exceeds
OEM Specs

Call for a Quote
Compare and Save \$\$

Item #	Description	MTM#	Qty
1	Pin - cylinder, level pivot arm	1237571	3
2	Pin - cylinder, upper reach pivot link	1237575	1
3	Bearing - Pivot/Reach, 2" ID	1361603	2
4	Seal - Bushing, 2"	1237594	2
5	Pin - upper reach link to level pivot	1237572	1
6	Bearing - level link pivot, 3" ID	1361602	2
7	Bearing - spherical, sealed, 1.5" ID	0122175	8
8	Pin - cylinder, lower level link	1237577	1
9	Pin - lower reach pivot link	1237570	1
10	Bearing - Spherical, 2"	1142323	1
11	Pin - slave cylinder, upper lift arm	1237574	1
12	Pin - upper lift arm pivot	1237568	1
13	Pin - lower lift arm pivot	1237566	1
14	Bearing - Arm Pivot, 3" ID	1237600	6
15	Seal - Bushing, 3"	1237595	12
16	Collars - outer base lift	1401993	2
17	Pin - base lift pivot, 2 outside collars	1394151	1



BUY ONCE. BUY RIGHT. BUY SMART

1-888-MTM-PART • 1-888-686-7278

McNeilus and its replacement parts are not affiliated or associated with any other manufacturer referenced on this page, nor does McNeilus or its replacement parts have any such manufacturer's sponsorship or approval.

© 1/2011 McNeilus Truck and Manufacturing Inc. McNeilus, the McNeilus logo are registered trademarks and Street Smart Parts and Service is a trademark of McNeilus Truck and Manufacturing Inc., Dodge Center, MN, USA.

Literature P/N 1427749