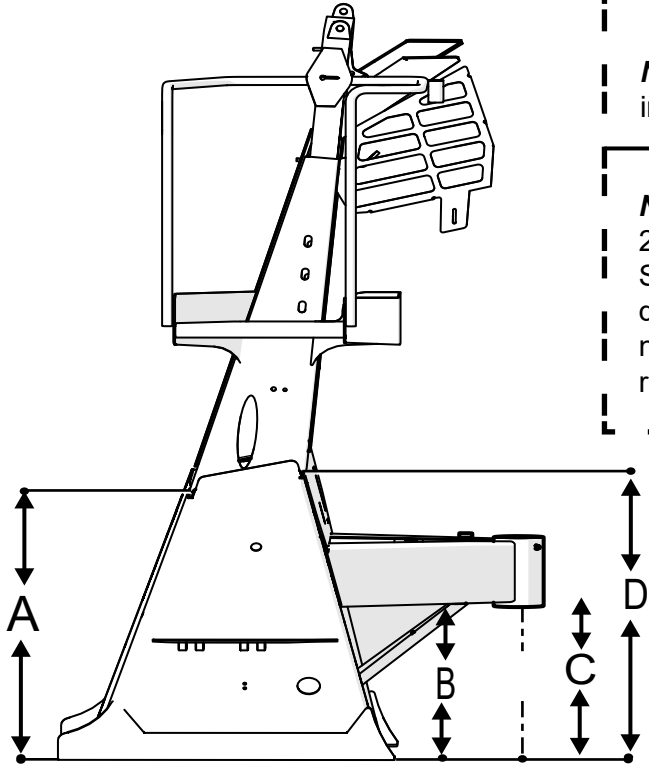


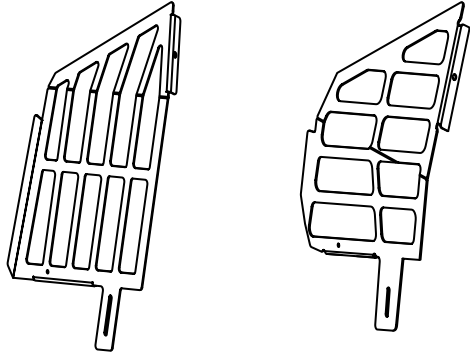
**How to complete this sheet:**  
**Measure and fill in dimensions of**  
**current rear pedestal. Check mark**  
**where appropriate for type of pedestal.**

If you have any questions concerning this  
 measurement sheet, please call McNeilus Parts  
 Service at 888-686-7278.



A \_\_\_\_\_  
 B \_\_\_\_\_  
 C \_\_\_\_\_  
 D \_\_\_\_\_

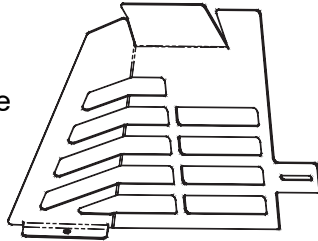
E \_\_\_\_\_  
 F \_\_\_\_\_  
 G \_\_\_\_\_  
 H \_\_\_\_\_  
 I \_\_\_\_\_

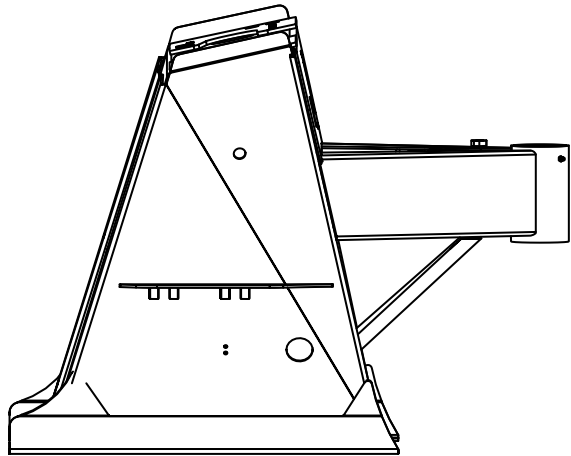


Paver \_\_\_\_\_ OR Standard \_\_\_\_\_

**NOTE:** For any truck built before 2016, use the images ABOVE to determine Paver or Standard.

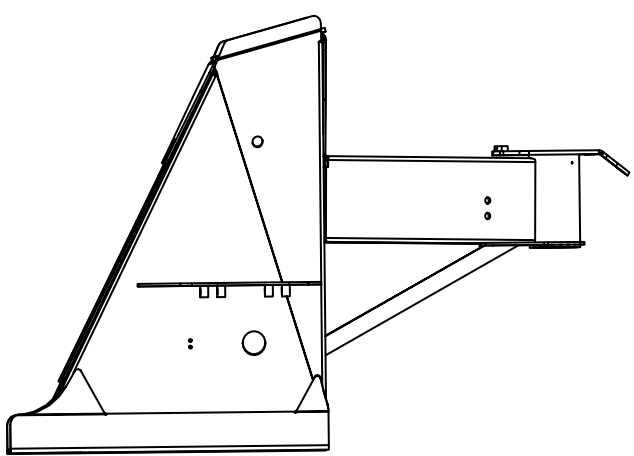
**NOTE:** For any truck built 2016 or newer, the Paver or Standard type will need to be determined by truck serial number. (Image shown to right.)





A Ped \_\_\_\_\_

OR



B Ped \_\_\_\_\_

## Rear Pedestal Spec Sheet

